



Calidad industrial · Marcas oficiales · Envíos a todo el país

RONIN

Motores eléctricos industriales

Catálogo oficial de productos

Distribuidor oficial RONIN en Argentina

Monofásicos

Trifásicos

Consultas y cotizaciones: +54 9 11 7095-9400 · www.distribuidorahc.com.ar



RONIN®

CATÁLOGO 2025



ÍNDICE

Clickeá en cada título  para ir a cada sección

MONOFÁSICOS ALUMINIO

PÁG. 03 3000RPM

PAG. 13 1500RPM

TRIFÁSICOS ALUMINIO

PÁG. 14 3000RPM

PAG. 34 1500RPM

PAG. 46 1000RPM

TRIFÁSICOS HIERRO

PÁG. 57 3000RPM

PAG. 78 1500RPM

PAG. 100 1000RPM

ACCESORIOS

PÁG. 123 CUERPO DE ALUMINIO

PAG. 124 CUERPO DE FUNDICION DE HIERRO



MODELO RM-M1-2A-00025-631-02

**Monofásico
Aluminio**

**3000RPM
2P**

**HP
0,25**

INFORMACIÓN GENERAL

| | |
|---------|-----------------------|
| Skü | RM-M1-2A-00025-631-02 |
| EAN13 | 7428325601369 |
| Tipo | Monofásico |
| Carcasa | 631 |
| Polos | 2 |

INFORMACIÓN FÍSICA

| | |
|----------------|-------------|
| Dimensiones-mm | 235*140*185 |
| Peso-kg | - |
| Material | Aluminio |

LOGÍSTICA

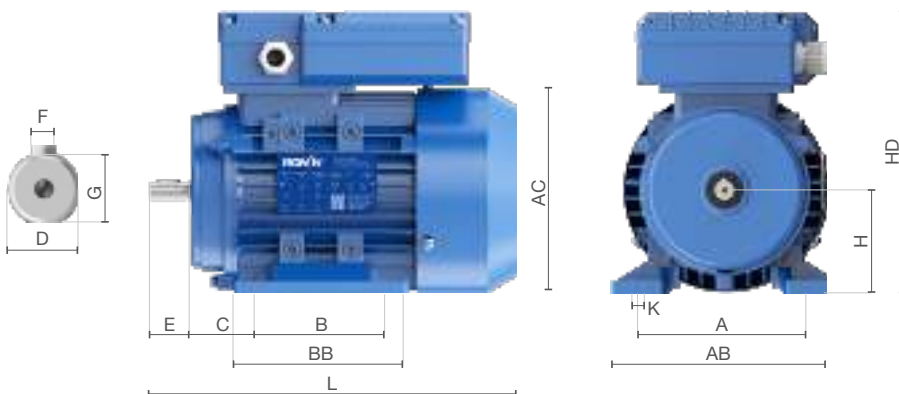
| | |
|----------------------|---------------|
| Material-of-unit-box | carton |
| size-of-unitbox | 1150*820*1180 |
| size-of-woden-case | 1150*820*1180 |

INFORMACIÓN ELÉCTRICA

| | |
|--------------------------|---------|
| RPM | 3000RPM |
| Eficiencia (S) | 1 |
| Tensión (V) | 220V |
| Hz | 50Hz |
| Factor de Potencia (cos) | 0,92 |
| Potencia-HP | 0,25 |
| Potencia-kW | 0,18 |
| EFF-N | 65,0 |
| Corriente-A | 1,37 |
| dBA | 70 |
| Capacitor-UF-monofásicos | |
| Aislamiento-ISOL | |

CERTIFICACIONES

| | |
|-----------|----------|
| IP | IP55 |
| Norma-IEC | IEC60034 |
| Norma-ISO | ISO9001 |



| | | | | | | | | | | | | | |
|-----|----|----|----|----|---|-----|----|---|-----|-----|-----|-----|-----|
| A | B | C | D | E | F | G | H | K | AB | BB | HD | AC | L |
| 100 | 80 | 40 | 11 | 23 | 4 | 8,5 | 63 | 7 | 135 | 100 | 182 | 120 | 217 |



EFICIENCIA ENERGÉTICA

MÁS EFICIENTE

IE3
IE2
IE1
IE0

IE1

MOTORES MONOFÁSICOS
η=85,0%

Referencia IRAM 62409

Res S'Vc N° 438/24



MODELO RM-M1-2A-00033-632-02

**Monofásico
Aluminio**

**3000RPM
2P**

**HP
0,33**

INFORMACIÓN GENERAL

| | |
|---------|-----------------------|
| Sku | RM-M1-2A-00033-632-02 |
| EAN13 | 7428325601376 |
| Tipo | Monofásico |
| Carcasa | 632 |
| Polos | 2 |

INFORMACIÓN FÍSICA

| | |
|----------------|-------------|
| Dimensiones-mm | 235*140*185 |
| Peso-kg | - |
| Material | Aluminio |

LOGÍSTICA

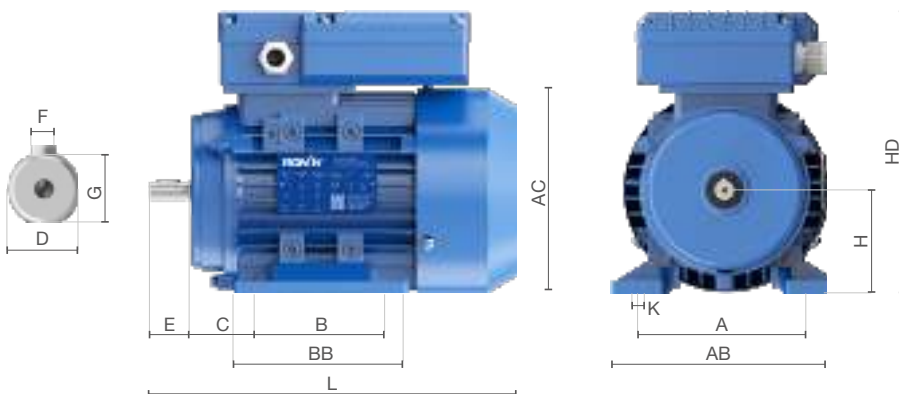
| | |
|----------------------|---------------|
| Material-of-unit-box | carton |
| size-of-unitbox | 1150*820*1180 |
| size-of-woden-case | 1150*820*1180 |

INFORMACIÓN ELÉCTRICA

| | |
|--------------------------|---------|
| RPM | 3000RPM |
| Eficiencia (S) | 1 |
| Tensión (V) | 220V |
| Hz | 50Hz |
| Factor de Potencia (cos) | 0,92 |
| Potencia-HP | 0,33 |
| Potencia-kW | 0,25 |
| EFF-N | 66,0 |
| Corriente-A | 1,87 |
| dBA | 70 |
| Capacitor-UF-monofásicos | |
| Aislamiento-ISOL | |

CERTIFICACIONES

| | |
|-----------|----------|
| IP | IP55 |
| Norma-IEC | IEC60034 |
| Norma-ISO | ISO9001 |



| A | B | C | D | E | F | G | H | K | AB | BB | HD | AC | L |
|-----|----|----|----|----|---|-----|----|---|-----|-----|-----|-----|-----|
| 100 | 80 | 40 | 11 | 23 | 4 | 8,5 | 63 | 7 | 135 | 100 | 182 | 120 | 217 |





MODELO RM-M1-2A-00050-711-02

**Monofásico
Aluminio**

**3000RPM
2P**

**HP
0,50**

INFORMACIÓN GENERAL

| | |
|---------|-----------------------|
| Sku | RM-M1-2A-00050-711-02 |
| EAN13 | 7428325601383 |
| Tipo | Monofásico |
| Carcasa | 711 |
| Polos | 2 |

INFORMACIÓN FÍSICA

| | |
|----------------|-------------|
| Dimensiones-mm | 280*210*220 |
| Peso-kg | - |
| Material | Aluminio |

LOGÍSTICA

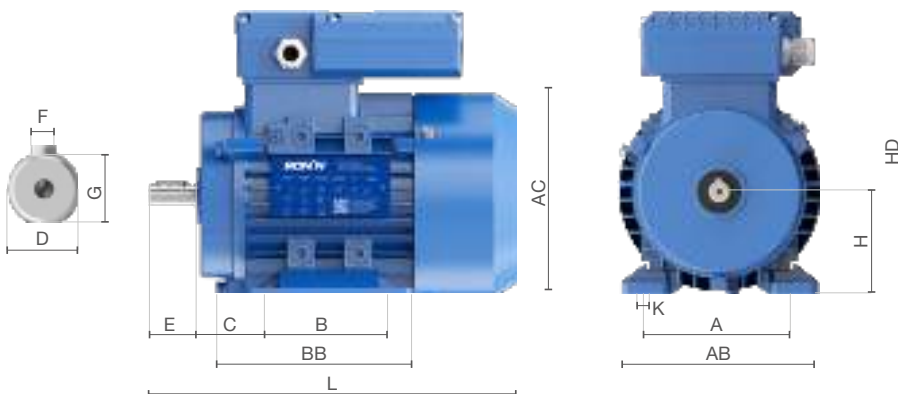
| | |
|----------------------|---------------|
| Material-of-unit-box | carton |
| size-of-unitbox | 1150*820*1140 |
| size-of-woden-case | 1150*820*1140 |

INFORMACIÓN ELÉCTRICA

| | |
|--------------------------|---------|
| RPM | 3000RPM |
| Eficiencia (S) | 1 |
| Tensión (V) | 220V |
| Hz | 50Hz |
| Factor de Potencia (cos) | 0,92 |
| Potencia-HP | 0,50 |
| Potencia-kW | 0,37 |
| EFF-N | 67,0 |
| Corriente-A | 2,7 |
| dBA | |
| Capacitor-UF-monofásicos | 50/250V |
| Aislamiento-ISOL | 8/450 |

CERTIFICACIONES

| | |
|-----------|----------|
| IP | IP55 |
| Norma-IEC | IEC60034 |
| Norma-ISO | ISO9001 |



| A | B | C | D | E | F | G | H | K | AB | BB | HD | AC | L |
|-----|----|----|----|----|---|----|----|---|-----|-----|-----|-----|-----|
| 112 | 90 | 45 | 14 | 30 | 5 | 11 | 71 | 7 | 150 | 112 | 202 | 136 | 250 |



MODELO RM-M1-2A-00075-712-02

**Monofásico
Aluminio**

**3000RPM
2P**

**HP
0,75**

INFORMACIÓN GENERAL

| | |
|---------|-----------------------|
| Sku | RM-M1-2A-00075-712-02 |
| EAN13 | 7428325601390 |
| Tipo | Monofásico |
| Carcasa | 712 |
| Polos | 2 |

INFORMACIÓN FÍSICA

| | |
|----------------|-------------|
| Dimensiones-mm | 280*210*220 |
| Peso-kg | 6,9 |
| Material | Aluminio |

LOGÍSTICA

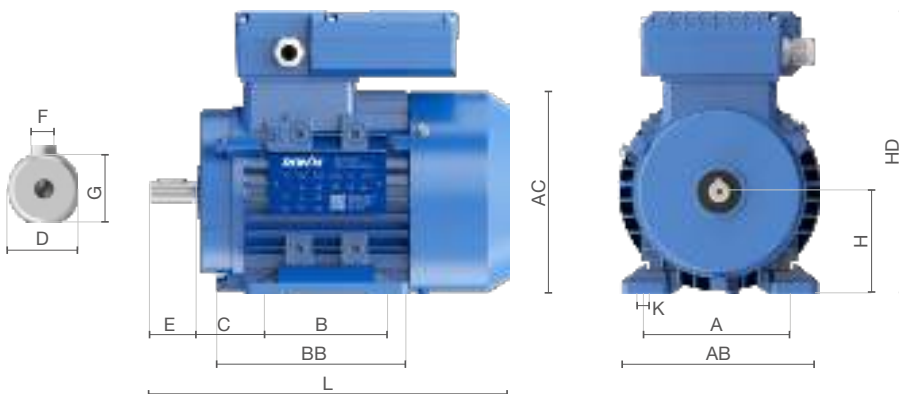
| | |
|----------------------|---------------|
| Material-of-unit-box | carton |
| size-of-unitbox | 280*210*220 |
| size-of-woden-case | 1150*820*1140 |

INFORMACIÓN ELÉCTRICA

| | |
|--------------------------|----------|
| RPM | 3000RPM |
| Eficiencia (S) | 1 |
| Tensión (V) | 220V |
| Hz | 50Hz |
| Factor de Potencia (cos) | 0,92 |
| Potencia-HP | 0,75 |
| Potencia-kW | 0,55 |
| EFF-N | 70,0 |
| Corriente-A | 3,9 |
| dBA | 72 |
| Capacitor-UF-monofásicos | 100/250V |
| Aislamiento-ISOL | 15/450 |

CERTIFICACIONES

| | |
|-----------|----------|
| IP | IP55 |
| Norma-IEC | IEC60034 |
| Norma-ISO | ISO9001 |



| | | | | | | | | | | | | | |
|-----|----|----|----|----|---|----|----|---|-----|-----|-----|-----|-----|
| A | B | C | D | E | F | G | H | K | AB | BB | HD | AC | L |
| 112 | 90 | 45 | 14 | 30 | 5 | 11 | 71 | 7 | 150 | 112 | 202 | 136 | 250 |

RONIN[®]
RM-M1-2A-00075-712-02



EFICIENCIA ENERGÉTICA

MÁS EFICIENTE

IE3

IE2

IE1

IE0

MENOS EFICIENTE

IE1

MOTORES MONOFÁSICOS
nº 75.0 %

Referencia IRAM 62409

Res S'Yc Nº 438/24



MODELO RM-M1-2A-00100-801-02

**Monofásico
Aluminio**

**3000RPM
2P**

**HP
1,00**

INFORMACIÓN GENERAL

| | |
|---------|-----------------------|
| Sku | RM-M1-2A-00100-801-02 |
| EAN13 | 7428325601406 |
| Tipo | Monofásico |
| Carcasa | 801 |
| Polos | 2 |

INFORMACIÓN FÍSICA

| | |
|----------------|-------------|
| Dimensiones-mm | 355*210*260 |
| Peso-kg | 10,5 |
| Material | Aluminio |

LOGÍSTICA

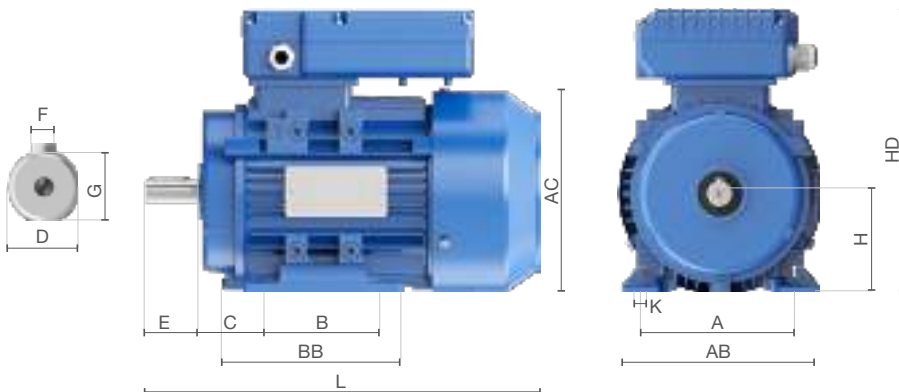
| | |
|----------------------|---------------|
| Material-of-unit-box | carton |
| size-of-unitbox | 355*210*260 |
| size-of-woden-case | 1150*850*1030 |

INFORMACIÓN ELÉCTRICA

| | |
|--------------------------|----------|
| RPM | 3000RPM |
| Eficiencia (S) | 1 |
| Tensión (V) | 220V |
| Hz | 50Hz |
| Factor de Potencia (cos) | 0,95 |
| Potencia-HP | 1,00 |
| Potencia-kW | 0,75 |
| EFF-N | 73,0 |
| Corriente-A | 4,9 |
| dBA | 75 |
| Capacitor-UF-monofásicos | 100/250V |
| Aislamiento-ISOL | 25/450 |

CERTIFICACIONES

| | |
|-----------|----------|
| IP | IP55 |
| Norma-IEC | IEC60034 |
| Norma-ISO | ISO9001 |



| | | | | | | | | | | | | | |
|-----|-----|----|----|----|---|------|----|----|-----|-----|-----|-----|-----|
| A | B | C | D | E | F | G | H | K | AB | BB | HD | AC | L |
| 125 | 100 | 50 | 19 | 40 | 6 | 15.5 | 80 | 10 | 153 | 125 | 227 | 160 | 310 |





MODELO RM-M1-2A-00150-802-02

**Monofásico
Aluminio**

**3000RPM
2P**

**HP
1,50**

INFORMACIÓN GENERAL

| | |
|---------|-----------------------|
| Sku | RM-M1-2A-00150-802-02 |
| EAN13 | 7428325601413 |
| Tipo | Monofásico |
| Carcasa | 802 |
| Polos | 2 |

INFORMACIÓN FÍSICA

| | |
|----------------|-------------|
| Dimensiones-mm | 355*210*260 |
| Peso-kg | 11 |
| Material | Aluminio |

LOGÍSTICA

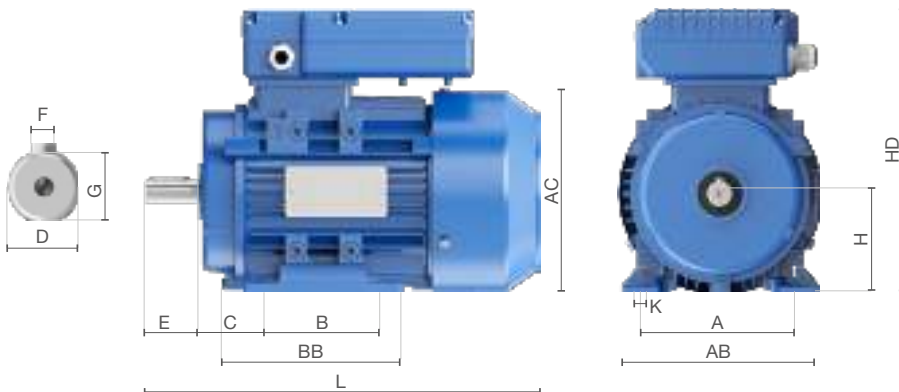
| | |
|----------------------|---------------|
| Material-of-unit-box | carton |
| size-of-unitbox | 355*210*260 |
| size-of-woden-case | 1150*850*1030 |

INFORMACIÓN ELÉCTRICA

| | |
|--------------------------|----------|
| RPM | 3000RPM |
| Eficiencia (S) | 1 |
| Tensión (V) | 220V |
| Hz | 50Hz |
| Factor de Potencia (cos) | 0,95 |
| Potencia-HP | 1,50 |
| Potencia-kW | 1,10 |
| EFF-N | 75,0 |
| Corriente-A | 7 |
| dBA | 75 |
| Capacitor-UF-monofásicos | 100/250V |
| Aislamiento-ISOL | 30/450 |

CERTIFICACIONES

| | |
|-----------|----------|
| IP | IP55 |
| Norma-IEC | IEC60034 |
| Norma-ISO | ISO9001 |



| | | | | | | | | | | | | | |
|-----|-----|----|----|----|---|------|----|----|-----|-----|-----|-----|-----|
| A | B | C | D | E | F | G | H | K | AB | BB | HD | AC | L |
| 125 | 100 | 50 | 19 | 40 | 6 | 15.5 | 80 | 10 | 153 | 125 | 227 | 160 | 310 |

RONIN[®]
RM-M1-2A-00150-802-02

EFICIENCIA ENERGÉTICA

MÁS EFICIENTE

IE3

IE2

IE1

IE0

MEJORES EFICIENTE

IE1

MOTORES MONOFÁSICOS
η = 75.5 %

Referencia IRAM 62409

Res SYc N° 438/24



MODELO RM-M1-2A-00200-90L-02

**Monofásico
Aluminio**

**3000RPM
2P**

**HP
2,00**

INFORMACIÓN GENERAL

| | |
|---------|-----------------------|
| Sku | RM-M1-2A-00200-90L-02 |
| EAN13 | 7428325601420 |
| Tipo | Monofásico |
| Carcasa | 90L1 |
| Polos | 2 |

INFORMACIÓN FÍSICA

| | |
|----------------|-------------|
| Dimensiones-mm | 385*210*270 |
| Peso-kg | 14,5 |
| Material | Aluminio |

LOGÍSTICA

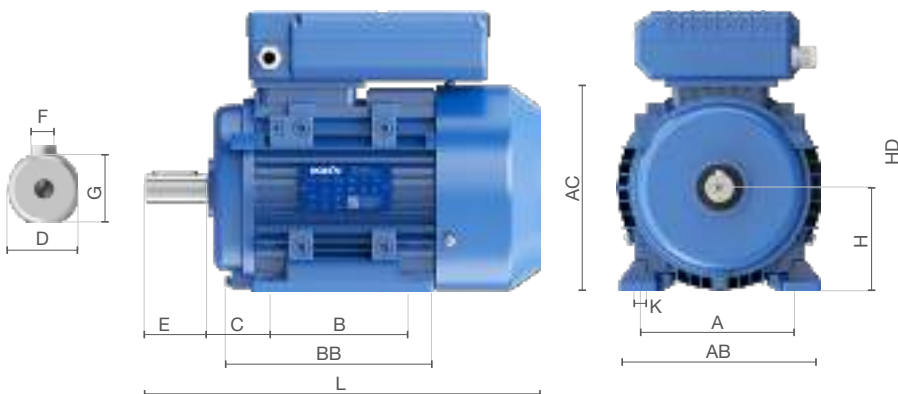
| | |
|----------------------|---------------|
| Material-of-unit-box | carton |
| size-of-unitbox | 385*210*270 |
| size-of-woden-case | 1150*850*1030 |

INFORMACIÓN ELÉCTRICA

| | |
|--------------------------|----------|
| RPM | 3000RPM |
| Eficiencia (S) | 1 |
| Tensión (V) | 220V |
| Hz | 50Hz |
| Factor de Potencia (cos) | 0,95 |
| Potencia-HP | 2,00 |
| Potencia-kW | 1,50 |
| EFF-N | 76,0 |
| Corriente-A | 9,4 |
| dBA | 78 |
| Capacitor-UF-monofásicos | 200/250V |
| Aislamiento-ISOL | 40/450 |

CERTIFICACIONES

| | |
|-----------|----------|
| IP | IP55 |
| Norma-IEC | IEC60034 |
| Norma-ISO | ISO9001 |



| | | | | | | | | | | | | | |
|-----|-----|----|----|----|---|----|----|----|-----|-----|-----|-----|-----|
| A | B | C | D | E | F | G | H | K | AB | BB | HD | AC | L |
| 140 | 125 | 56 | 24 | 50 | 8 | 20 | 90 | 10 | 172 | 156 | 246 | 175 | 340 |

RONIN[®]

RM-M1-2A-00200-90L-02



EFICIENCIA ENERGÉTICA

MÁS EFICIENTE

IE3

IE2

IE1

IE0

MENOS EFICIENTE

IE1

MOTORES MONOFÁSICOS

η_{75.0} %

Referencia IRAM 62409

Res SYc N° 438/24



MODELO RM-M1-2A-00300-90L-02

Monofásico
Aluminio

3000RPM
2P

HP
3,00

INFORMACIÓN GENERAL

| | |
|---------|-----------------------|
| Skü | RM-M1-2A-00300-90L-02 |
| EAN13 | 7428325601437 |
| Tipo | Monofásico |
| Carcasa | 90L2 |
| Polos | 2 |

INFORMACIÓN FÍSICA

| | |
|----------------|-------------|
| Dimensiones-mm | 385*210*270 |
| Peso-kg | 17 |
| Material | Aluminio |

LOGÍSTICA

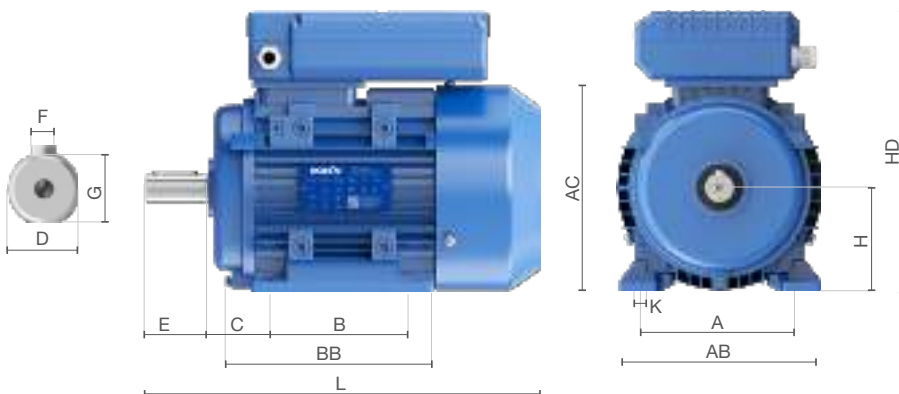
| | |
|----------------------|---------------|
| Material-of-unit-box | carton |
| size-of-unitbox | 385*210*270 |
| size-of-woden-case | 1150*850*1030 |

INFORMACIÓN ELÉCTRICA

| | |
|--------------------------|----------|
| RPM | 3000RPM |
| Eficiencia (S) | 1 |
| Tensión (V) | 220V |
| Hz | 50Hz |
| Factor de Potencia (cos) | 0,95 |
| Potencia-HP | 3,00 |
| Potencia-kW | 2,20 |
| EFF-N | 77,0 |
| Corriente-A | 13,7 |
| dBA | 78 |
| Capacitor-UF-monofásicos | 300/250V |
| Aislamiento-ISOL | 50/450 |

CERTIFICACIONES

| | |
|-----------|----------|
| IP | IP55 |
| Norma-IEC | IEC60034 |
| Norma-ISO | ISO9001 |



| A | B | C | D | E | F | G | H | K | AB | BB | HD | AC | L |
|-----|-----|----|----|----|---|----|----|----|-----|-----|-----|-----|-----|
| 140 | 125 | 56 | 24 | 50 | 8 | 20 | 90 | 10 | 172 | 156 | 246 | 175 | 340 |

RONIN

RM-M1-2A-00300-90L-02



EFICIENCIA ENERGÉTICA

MÁS EFICIENTE

IE3

IE2

IE1

IE0

IE1

MENOS EFICIENTE

MOTORES MONOFÁSICOS

77,0 %

Referencia IRAM 62409

Res S'Yc N° 438/24



MODELO RM-M1-2A-00400-100-02

**Monofásico
Aluminio**

**3000RPM
2P**

**HP
4,00**

INFORMACIÓN GENERAL

| | |
|---------|-----------------------|
| Skü | RM-M1-2A-00400-100-02 |
| EAN13 | 7428325601444 |
| Tipo | Monofásico |
| Carcasa | 100L |
| Polos | 2 |

INFORMACIÓN FÍSICA

| | |
|----------------|-------------|
| Dimensiones-mm | 460*245*275 |
| Peso-kg | - |
| Material | Aluminio |

LOGÍSTICA

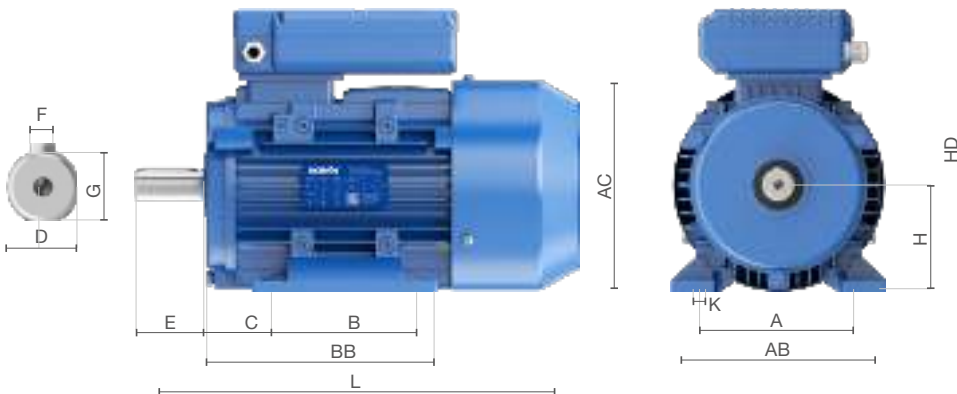
| | |
|----------------------|---------------|
| Material-of-unit-box | carton |
| size-of-unitbox | 1150*820*1140 |
| size-of-woden-case | 1150*820*1140 |

INFORMACIÓN ELÉCTRICA

| | |
|--------------------------|----------|
| RPM | 3000RPM |
| Eficiencia (S) | 1 |
| Tensión (V) | 220V |
| Hz | 50Hz |
| Factor de Potencia (cos) | 0,95 |
| Potencia-HP | 4,00 |
| Potencia-kW | 3,00 |
| EFF-N | 79,0 |
| Corriente-A | 18,2 |
| dBA | 83 |
| Capacitor-UF-monofásicos | 350/250V |
| Aislamiento-ISOL | 55/450 |

CERTIFICACIONES

| | |
|-----------|----------|
| IP | IP55 |
| Norma-IEC | IEC60034 |
| Norma-ISO | ISO9001 |



| | | | | | | | | | | | | | |
|-----|-----|----|----|----|---|----|-----|----|-----|-----|-----|-----|-----|
| A | B | C | D | E | F | G | H | K | AB | BB | HD | AC | L |
| 160 | 140 | 63 | 28 | 60 | 8 | 24 | 100 | 12 | 200 | 172 | 250 | 196 | 425 |





MODELO RM-M1-2A-00500-112-02

**Monofásico
Aluminio**

**3000RPM
2P**

**HP
5,00**

INFORMACIÓN GENERAL

| | |
|---------|-----------------------|
| Sku | RM-M1-2A-00500-112-02 |
| EAN13 | 7428325601451 |
| Tipo | Monofásico |
| Carcasa | 112M |
| Polos | 2 |

INFORMACIÓN FÍSICA

| | |
|----------------|-------------|
| Dimensiones-mm | 420*245*310 |
| Peso-kg | - |
| Material | Aluminio |

LOGÍSTICA

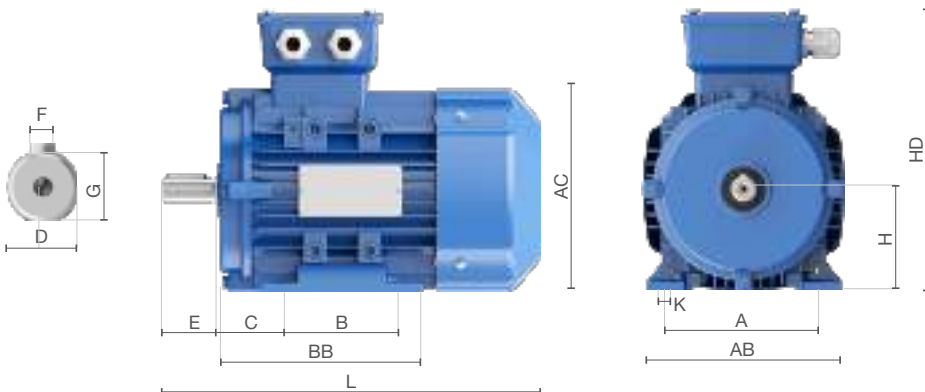
| | |
|----------------------|---------------|
| Material-of-unit-box | carton |
| size-of-unitbox | 1150*820*1180 |
| size-of-woden-case | 1150*820*1180 |

INFORMACIÓN ELÉCTRICA

| | |
|--------------------------|----------|
| RPM | 3000RPM |
| Eficiencia (S) | 1 |
| Tensión (V) | 220V |
| Hz | 50Hz |
| Factor de Potencia (cos) | 0,95 |
| Potencia-HP | 5,00 |
| Potencia-kW | 3,70 |
| EFF-N | 80,0 |
| Corriente-A | 22,1 |
| dBA | 83 |
| Capacitor-UF-monofásicos | 350/250V |
| Aislamiento-ISOL | 60/450 |

CERTIFICACIONES

| | |
|-----------|----------|
| IP | IP55 |
| Norma-IEC | IEC60034 |
| Norma-ISO | ISO9001 |



| | | | | | | | | | | | | | |
|-----|-----|----|----|----|---|----|-----|----|-----|-----|-----|-----|-----|
| A | B | C | D | E | F | G | H | K | AB | BB | HD | AC | L |
| 160 | 140 | 63 | 28 | 60 | 8 | 24 | 100 | 12 | 200 | 172 | 250 | 196 | 425 |

RONIN[®]
RM-M1-2A-00500-112-02



EFICIENCIA ENERGÉTICA

MÁS EFICIENTE

IE3
IE2
IE1
IE0

IE1

MOTORES MONOFÁSICOS
90,0%

Referencia IRAM 62409
Res S'Vc N° 438/24



MODELO RM-M1-4A-00025-632-02

Monofásico
Aluminio

1500RPM
4P

HP
0,25

INFORMACIÓN GENERAL

| | |
|---------|-----------------------|
| Sku | RM-M1-4A-00025-632-02 |
| EAN13 | 7428325601468 |
| Tipo | Monofásico |
| Carcasa | 632 |
| Polos | 4 |

INFORMACIÓN FÍSICA

| | |
|----------------|-------------|
| Dimensiones-mm | 235*140*185 |
| Peso-kg | - |
| Material | Aluminio |

LOGÍSTICA

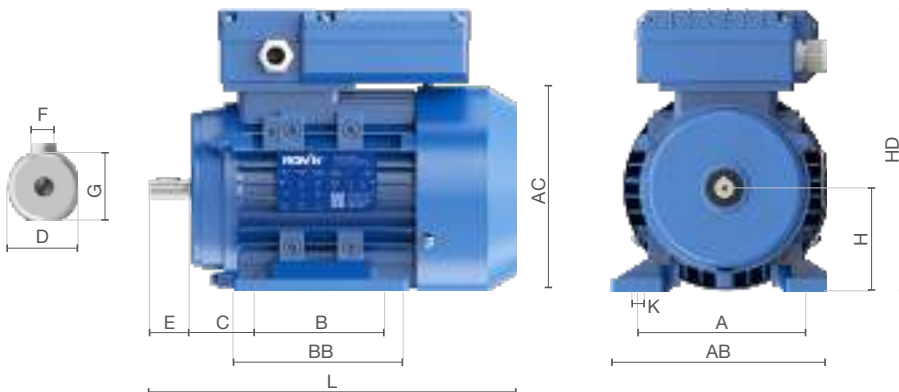
| | |
|----------------------|---------------|
| Material-of-unit-box | carton |
| size-of-unitbox | 1150*820*1180 |
| size-of-woden-case | 1150*820*1180 |

INFORMACIÓN ELÉCTRICA

| | |
|--------------------------|---------|
| RPM | 1500RPM |
| Eficiencia (S) | 1 |
| Tensión (V) | 220V |
| Hz | 50Hz |
| Factor de Potencia (cos) | 0,92 |
| Potencia-HP | 0,25 |
| Potencia-kW | 0,18 |
| EFF-N | 57,0 |
| Corriente-A | 1,06 |
| dBA | 65 |
| Capacitor-UF-monofásicos | |
| Aislamiento-ISOL | |

CERTIFICACIONES

| | |
|-----------|----------|
| IP | IP55 |
| Norma-IEC | IEC60034 |
| Norma-ISO | ISO9001 |



| A | B | C | D | E | F | G | H | K | AB | BB | HD | AC | L |
|-----|----|----|----|----|---|-----|----|---|-----|-----|-----|-----|-----|
| 100 | 80 | 40 | 11 | 23 | 4 | 8,5 | 63 | 7 | 135 | 100 | 182 | 120 | 217 |

RONIN
RM-M1-4A-00025-632-02



EFICIENCIA ENERGÉTICA

MÁS EFICIENTE

IE3
 IE2
 IE1
 IE0

➔ IE1

MENOS EFICIENTE

MOTORES MONOFÁSICOS
η = 87,0 %

Referencia IRAM 62409

Res S'Vc N° 438/24



MODELO RM-M1-4A-00033-711-02

Monofásico
Aluminio

3000RPM
2P

HP
0,50

INFORMACIÓN GENERAL

| | |
|---------|-----------------------|
| Sku | RM-M1-4A-00033-711-02 |
| EAN13 | 7428325601475 |
| Tipo | Monofásico |
| Carcasa | 711 |
| Polos | 4 |

INFORMACIÓN FÍSICA

| | |
|----------------|-------------|
| Dimensiones-mm | 280*210*220 |
| Peso-kg | - |
| Material | Aluminio |

LOGÍSTICA

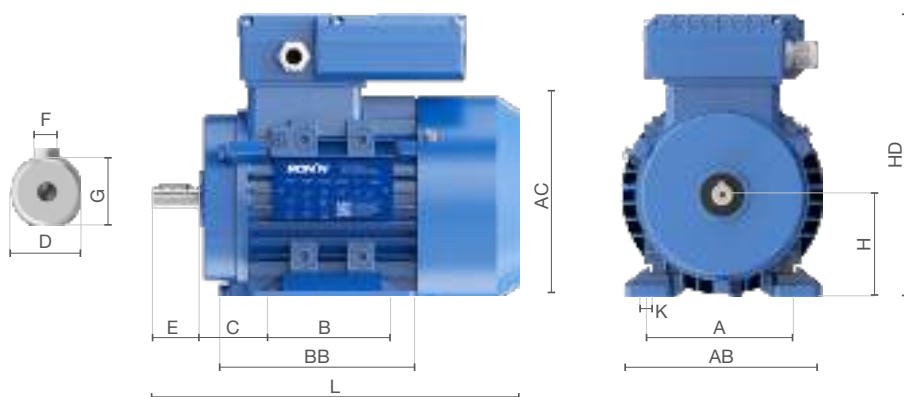
| | |
|----------------------|---------------|
| Material-of-unit-box | carton |
| size-of-unitbox | 1150*820*1140 |
| size-of-woden-case | 1150*820*1140 |

INFORMACIÓN ELÉCTRICA

| | |
|--------------------------|---------|
| RPM | 1500RPM |
| Eficiencia (S) | 1 |
| Tensión (V) | 220V |
| Hz | 50Hz |
| Factor de Potencia (cos) | 0,92 |
| Potencia-HP | 0,33 |
| Potencia-kW | 0,25 |
| EFF-N | 62,0 |
| Corriente-A | 2,0 |
| dBA | 67 |
| Capacitor-UF-monofásicos | 75/250V |
| Aislamiento-ISOL | 15/450 |

CERTIFICACIONES

| | |
|-----------|----------|
| IP | IP55 |
| Norma-IEC | IEC60034 |
| Norma-ISO | ISO9001 |



| A | B | C | D | E | F | G | H | K | AB | BB | HD | AC | L |
|-----|----|----|----|----|---|----|----|---|-----|-----|-----|-----|-----|
| 112 | 90 | 45 | 14 | 30 | 5 | 11 | 71 | 7 | 150 | 112 | 202 | 136 | 250 |

RONIN
RM-M1-4A-00033-711-02



EFICIENCIA ENERGÉTICA

Más eficiente

IE3
 IE2
 IE1
 IE0

IE1

MENOS eficiente

MOTORES MONOFÁSICOS
η 62,0 %

Referencia IRAM 62405

Res SYc N° 438/24



MODELO RM-M1-4A-00050-712-02

**Monofásico
Aluminio**

**1500RPM
4P**

**HP
0,50**

INFORMACIÓN GENERAL

| | |
|---------|-----------------------|
| Skü | RM-M1-4A-00050-712-02 |
| EAN13 | 7428325601482 |
| Tipo | Monofásico |
| Carcasa | 712 |
| Polos | 4 |

INFORMACIÓN FÍSICA

| | |
|----------------|-------------|
| Dimensiones-mm | 280*210*220 |
| Peso-kg | 7,5 |
| Material | Aluminio |

LOGÍSTICA

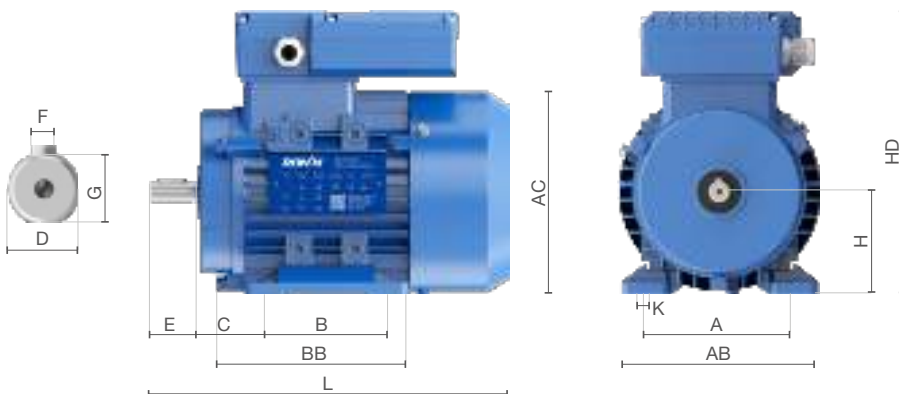
| | |
|----------------------|---------------|
| Material-of-unit-box | carton |
| size-of-unitbox | 280*210*220 |
| size-of-woden-case | 1150*820*1140 |

INFORMACIÓN ELÉCTRICA

| | |
|--------------------------|---------|
| RPM | 1500RPM |
| Eficiencia (S) | 1 |
| Tensión (V) | 220V |
| Hz | 50Hz |
| Factor de Potencia (cos) | 0,92 |
| Potencia-HP | 0,50 |
| Potencia-kW | 0,37 |
| EFF-N | 65,0 |
| Corriente-A | 2,8 |
| dBA | 67 |
| Capacitor-UF-monofásicos | 75/250V |
| Aislamiento-ISOL | 15/450 |

CERTIFICACIONES

| | |
|-----------|----------|
| IP | IP55 |
| Norma-IEC | IEC60034 |
| Norma-ISO | ISO9001 |



| A | B | C | D | E | F | G | H | K | AB | BB | HD | AC | L |
|-----|----|----|----|----|---|----|----|---|-----|-----|-----|-----|-----|
| 112 | 90 | 45 | 14 | 30 | 5 | 11 | 71 | 7 | 150 | 112 | 202 | 136 | 250 |

RONIN[®]
RM-M1-4A-00050-712-02



EFICIENCIA ENERGÉTICA

MÁS EFICIENTE

IE3
IE2
IE1
IE0

IE1

MENOS EFICIENTE

MOTORES MONOFÁSICOS
nº 65.0 %

Referencia IRAM 62409
Res S'Yc Nº 438/24



MODELO RM-M1-4A-00075-801-02

**Monofásico
Aluminio**

**1500RPM
4P**

**HP
0,75**

INFORMACIÓN GENERAL

| | |
|---------|-----------------------|
| Sku | RM-M1-4A-00075-801-02 |
| EAN13 | 7428325601499 |
| Tipo | Monofásico |
| Carcasa | 801 |
| Polos | 4 |

INFORMACIÓN FÍSICA

| | |
|----------------|-------------|
| Dimensiones-mm | 355*210*260 |
| Peso-kg | 10 |
| Material | Aluminio |

LOGÍSTICA

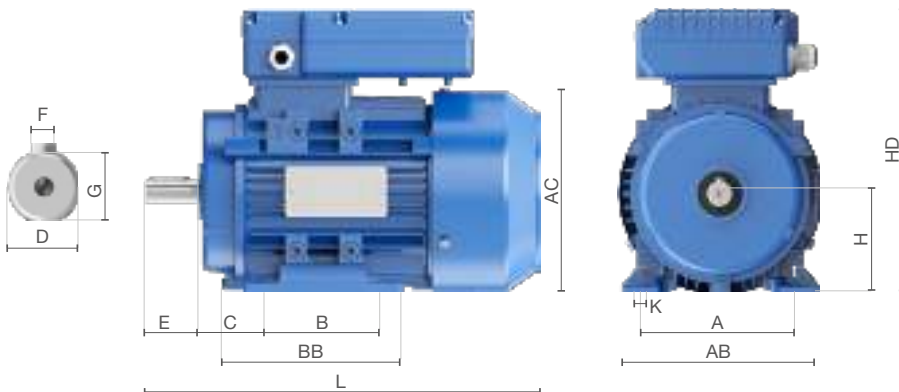
| | |
|----------------------|---------------|
| Material-of-unit-box | carton |
| size-of-unitbox | 355*210*260 |
| size-of-woden-case | 1150*850*1030 |

INFORMACIÓN ELÉCTRICA

| | |
|--------------------------|----------|
| RPM | 1500RPM |
| Eficiencia (S) | 1 |
| Tensión (V) | 220V |
| Hz | 50Hz |
| Factor de Potencia (cos) | 0,92 |
| Potencia-HP | 0,75 |
| Potencia-kW | 0,55 |
| EFF-N | 69,0 |
| Corriente-A | 3,95 |
| dBA | 70 |
| Capacitor-UF-monofásicos | 100/250V |
| Aislamiento-ISOL | 15/450 |

CERTIFICACIONES

| | |
|-----------|----------|
| IP | IP55 |
| Norma-IEC | IEC60034 |
| Norma-ISO | ISO9001 |



| | | | | | | | | | | | | | |
|-----|-----|----|----|----|---|------|----|----|-----|-----|-----|-----|-----|
| A | B | C | D | E | F | G | H | K | AB | BB | HD | AC | L |
| 125 | 100 | 50 | 19 | 40 | 6 | 15.5 | 80 | 10 | 153 | 125 | 227 | 160 | 310 |





MODELO RM-M1-4A-00100-802-02

Monofásico
Aluminio

1500RPM
4P

HP
1,00

INFORMACIÓN GENERAL

| | |
|---------|-----------------------|
| Sku | RM-M1-4A-00100-802-02 |
| EAN13 | 7428325601505 |
| Tipo | Monofásico |
| Carcasa | 802 |
| Polos | 4 |

INFORMACIÓN FÍSICA

| | |
|----------------|-------------|
| Dimensiones-mm | 355*210*260 |
| Peso-kg | 10,5 |
| Material | Aluminio |

LOGÍSTICA

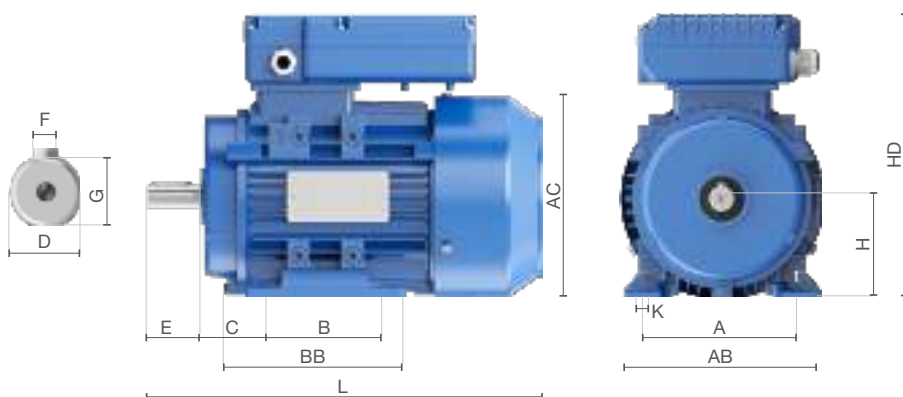
| | |
|----------------------|---------------|
| Material-of-unit-box | carton |
| size-of-unitbox | 355*210*260 |
| size-of-woden-case | 1150*850*1030 |

INFORMACIÓN ELÉCTRICA

| | |
|--------------------------|----------|
| RPM | 1500RPM |
| Eficiencia (S) | 1 |
| Tensión (V) | 220V |
| Hz | 50Hz |
| Factor de Potencia (cos) | 0,95 |
| Potencia-HP | 1,00 |
| Potencia-kW | 0,75 |
| EFF-N | 71,0 |
| Corriente-A | 5,05 |
| dBA | 70 |
| Capacitor-UF-monofásicos | 100/250V |
| Aislamiento-ISOL | 25/450 |

CERTIFICACIONES

| | |
|-----------|----------|
| IP | IP55 |
| Norma-IEC | IEC60034 |
| Norma-ISO | ISO9001 |



| A | B | C | D | E | F | G | H | K | AB | BB | HD | AC | L |
|-----|-----|----|----|----|---|------|----|----|-----|-----|-----|-----|-----|
| 125 | 100 | 50 | 19 | 40 | 6 | 15.5 | 80 | 10 | 153 | 125 | 227 | 160 | 310 |

RONIN
RM-M1-4A-00100-802-02

EFICIENCIA ENERGÉTICA

MÁS EFICIENTE

IE3
IE2
IE1
IE0

MEJORES EFICIENTE

IE1

MOTORES MONOFÁSICOS
IE1 71.0 %

Referencia IRAM 62409
Res S'Yc N° 438/24



MODELO RM-M1-4A-00150-90L-02

**Monofásico
Aluminio**

**1500RPM
4P**

**HP
1,50**

INFORMACIÓN GENERAL

| | |
|---------|-----------------------|
| Skü | RM-M1-4A-00150-90L-02 |
| EAN13 | 7428325601512 |
| Tipo | Monofásico |
| Carcasa | 90L1 |
| Polos | 4 |

INFORMACIÓN FÍSICA

| | |
|----------------|-------------|
| Dimensiones-mm | 385*210*270 |
| Peso-kg | 14 |
| Material | Aluminio |

LOGÍSTICA

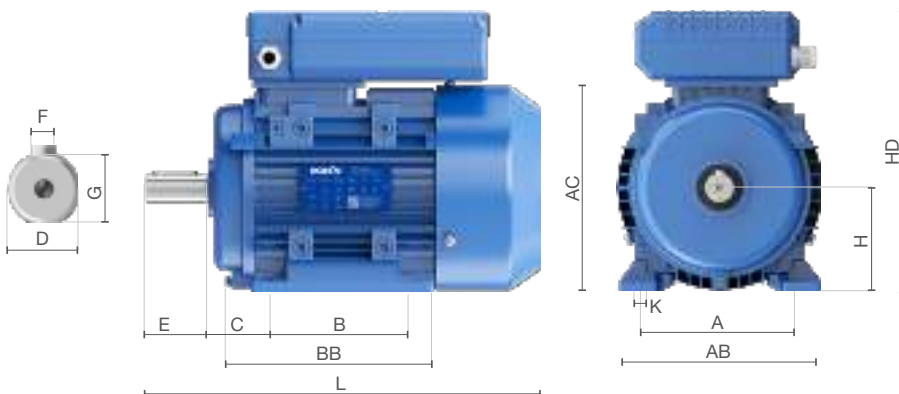
| | |
|----------------------|---------------|
| Material-of-unit-box | carton |
| size-of-unitbox | 385*210*270 |
| size-of-woden-case | 1150*850*1030 |

INFORMACIÓN ELÉCTRICA

| | |
|--------------------------|----------|
| RPM | 1500RPM |
| Eficiencia (S) | 1 |
| Tensión (V) | 220V |
| Hz | 50Hz |
| Factor de Potencia (cos) | 0,95 |
| Potencia-HP | 1,50 |
| Potencia-kW | 1,10 |
| EFF-N | 72,0 |
| Corriente-A | 7,3 |
| dBA | 73 |
| Capacitor-UF-monofásicos | 150/250V |
| Aislamiento-ISOL | 30/450 |

CERTIFICACIONES

| | |
|-----------|----------|
| IP | IP55 |
| Norma-IEC | IEC60034 |
| Norma-ISO | ISO9001 |



| | | | | | | | | | | | | | |
|-----|-----|----|----|----|---|----|----|----|-----|-----|-----|-----|-----|
| A | B | C | D | E | F | G | H | K | AB | BB | HD | AC | L |
| 140 | 125 | 56 | 24 | 50 | 8 | 20 | 90 | 10 | 172 | 156 | 246 | 175 | 340 |

RONIN[®]

RM-M1-4A-00150-90L-02



EFICIENCIA ENERGÉTICA

MÁS EFICIENTE

IE3

IE2

IE1

IE0

MENOS EFICIENTE

IE1

MOTORES MONOFÁSICOS

nº 72,0 %

Referencia IRAM 62409

Res S'Yc Nº 438/24



MODELO RM-M1-4A-00200-90L-02

**Monofásico
Aluminio**

**1500RPM
4P**

**HP
2,00**

INFORMACIÓN GENERAL

| | |
|---------|-----------------------|
| Sku | RM-M1-4A-00200-90L-02 |
| EAN13 | 7428325601529 |
| Tipo | Monofásico |
| Carcasa | 90L2 |
| Polos | 4 |

INFORMACIÓN FÍSICA

| | |
|----------------|-------------|
| Dimensiones-mm | 385*210*270 |
| Peso-kg | 16 |
| Material | Aluminio |

LOGÍSTICA

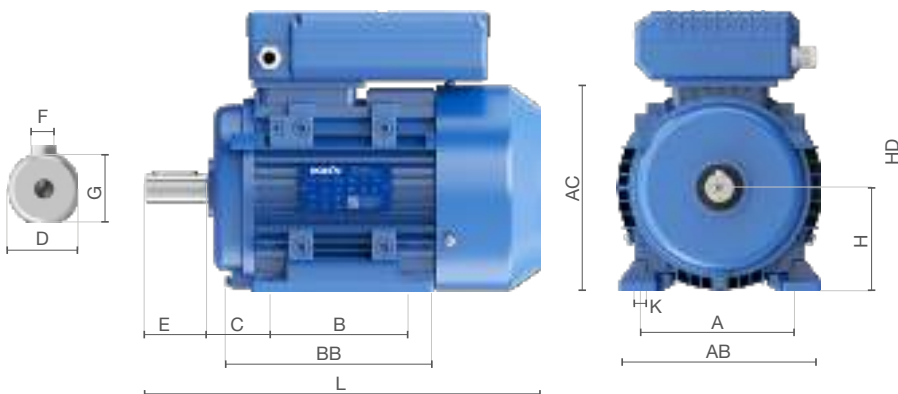
| | |
|----------------------|---------------|
| Material-of-unit-box | carton |
| size-of-unitbox | 385*210*270 |
| size-of-woden-case | 1150*850*1030 |

INFORMACIÓN ELÉCTRICA

| | |
|--------------------------|----------|
| RPM | 1500RPM |
| Eficiencia (S) | 1 |
| Tensión (V) | 220V |
| Hz | 50Hz |
| Factor de Potencia (cos) | 0,95 |
| Potencia-HP | 2,00 |
| Potencia-kW | 1,50 |
| EFF-N | 74,0 |
| Corriente-A | 9,7 |
| dBA | 73 |
| Capacitor-UF-monofásicos | 200/250V |
| Aislamiento-ISOL | 40/450 |

CERTIFICACIONES

| | |
|-----------|----------|
| IP | IP55 |
| Norma-IEC | IEC60034 |
| Norma-ISO | ISO9001 |



| A | B | C | D | E | F | G | H | K | AB | BB | HD | AC | L |
|-----|-----|----|----|----|---|----|----|----|-----|-----|-----|-----|-----|
| 140 | 125 | 56 | 24 | 50 | 8 | 20 | 90 | 10 | 172 | 156 | 246 | 175 | 340 |

RONIN

RM-M1-4A-00200-90L-02



EFICIENCIA ENERGÉTICA

MÁS EFICIENTE

IE3

IE2

IE1

IE0

IE1

MENOS EFICIENTE

MOTORES MONOFÁSICOS

η = 74,0 %

Referencia IRAM 62409

Res S'Yc N° 438/24



MODELO RM-M1-4A-00300-100-02

**Monofásico
Aluminio**

**1500RPM
4P**

**HP
3,00**

INFORMACIÓN GENERAL

| | |
|---------|-----------------------|
| Sku | RM-M1-4A-00300-100-02 |
| EAN13 | 7428325601536 |
| Tipo | Monofásico |
| Carcasa | 100L1 |
| Polos | 4 |

INFORMACIÓN FÍSICA

| | |
|----------------|-------------|
| Dimensiones-mm | 460*245*275 |
| Peso-kg | 21 |
| Material | Aluminio |

LOGÍSTICA

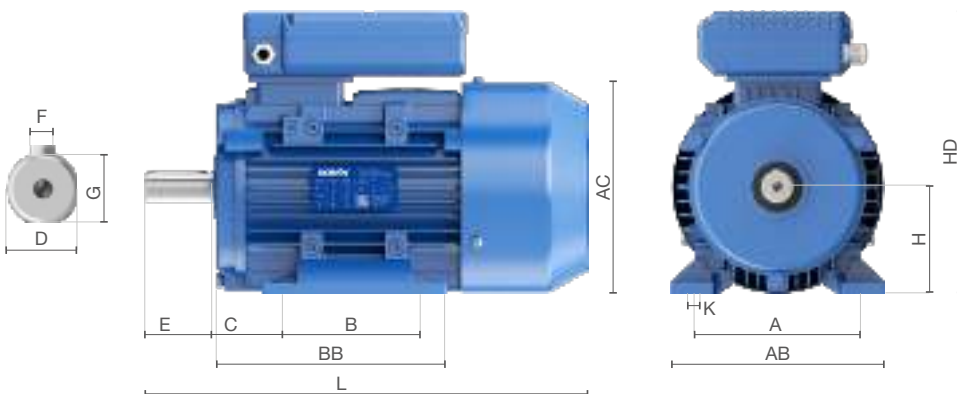
| | |
|----------------------|---------------|
| Material-of-unit-box | carton |
| size-of-unitbox | 460*245*275 |
| size-of-woden-case | 1150*820*1140 |

INFORMACIÓN ELÉCTRICA

| | |
|--------------------------|----------|
| RPM | 1500RPM |
| Eficiencia (S) | 1 |
| Tensión (V) | 220V |
| Hz | 50Hz |
| Factor de Potencia (cos) | 0,95 |
| Potencia-HP | 3,00 |
| Potencia-kW | 2,20 |
| EFF-N | 76,0 |
| Corriente-A | 13,9 |
| dBA | 78 |
| Capacitor-UF-monofásicos | 300/250V |
| Aislamiento-ISOL | 50/450 |

CERTIFICACIONES

| | |
|-----------|----------|
| IP | IP55 |
| Norma-IEC | IEC60034 |
| Norma-ISO | ISO9001 |



| A | B | C | D | E | F | G | H | K | AB | BB | HD | AC | L |
|-----|-----|----|----|----|---|----|-----|----|-----|-----|-----|-----|-----|
| 160 | 140 | 63 | 28 | 60 | 8 | 24 | 100 | 12 | 200 | 172 | 250 | 196 | 425 |

RONIN[®]

RM-M1-4A-00300-100-02



EFICIENCIA ENERGÉTICA

MÁS EFICIENTE

IE3

IE2

IE1

IE0

MEJOR EFICIENTE

IE1

MOTORES MONOFÁSICOS

η = 76,0 %

Referencia IRAM 62409

Res S Yc N° 438/24



MODELO RM-M1-4A-00400-100-02

**Monofásico
Aluminio**

**1500RPM
4P**

**HP
3,00**

INFORMACIÓN GENERAL

| | |
|---------|-----------------------|
| Skü | RM-M1-4A-00400-100-02 |
| EAN13 | 7428325601543 |
| Tipo | Monofásico |
| Carcasa | 100L2 |
| Polos | 4 |

INFORMACIÓN FÍSICA

| | |
|----------------|-------------|
| Dimensiones-mm | 460*245*275 |
| Peso-kg | 27 |
| Material | Aluminio |

LOGÍSTICA

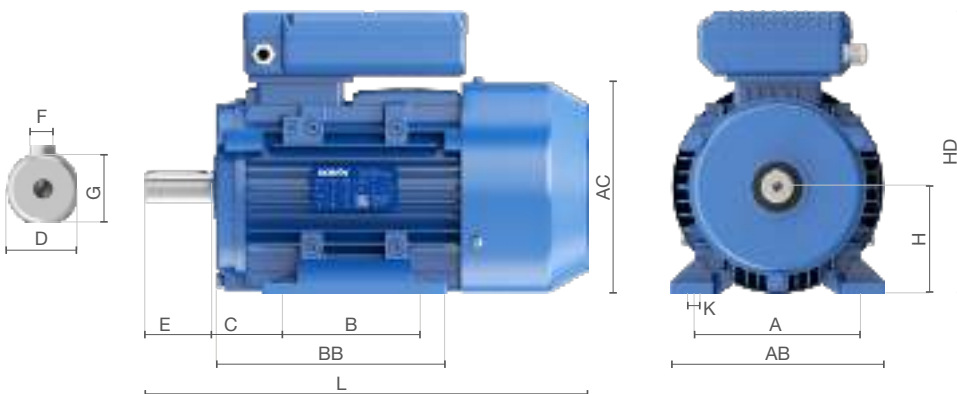
| | |
|----------------------|---------------|
| Material-of-unit-box | carton |
| size-of-unitbox | 460*245*275 |
| size-of-woden-case | 1150*820*1140 |

INFORMACIÓN ELÉCTRICA

| | |
|--------------------------|----------|
| RPM | 1500RPM |
| Eficiencia (S) | 1 |
| Tensión (V) | 220V |
| Hz | 50Hz |
| Factor de Potencia (cos) | 0,95 |
| Potencia-HP | 4,00 |
| Potencia-kW | 3,00 |
| EFF-N | 78,0 |
| Corriente-A | 18,4 |
| dBA | 78 |
| Capacitor-UF-monofásicos | 350/250V |
| Aislamiento-ISOL | 55/450 |

CERTIFICACIONES

| | |
|-----------|----------|
| IP | IP55 |
| Norma-IEC | IEC60034 |
| Norma-ISO | ISO9001 |



| | | | | | | | | | | | | | |
|-----|-----|----|----|----|---|----|-----|----|-----|-----|-----|-----|-----|
| A | B | C | D | E | F | G | H | K | AB | BB | HD | AC | L |
| 160 | 140 | 63 | 28 | 60 | 8 | 24 | 100 | 12 | 200 | 172 | 250 | 196 | 425 |





MODELO RM-T2-2A-00025-631-23

Trifásicos
Aluminio

3000RPM
2P

HP
0,25

INFORMACIÓN GENERAL

| | |
|---------|-----------------------|
| Sku | RM-T2-2A-00025-631-23 |
| EAN13 | 7428325600355 |
| Tipo | Trifásico |
| Carcasa | 631 |
| Polos | 2 |

INFORMACIÓN FÍSICA

| | |
|----------------|-------------|
| Dimensiones-mm | 235*140*185 |
| Peso-kg | 3,8 |
| Material | Aluminio |

LOGÍSTICA

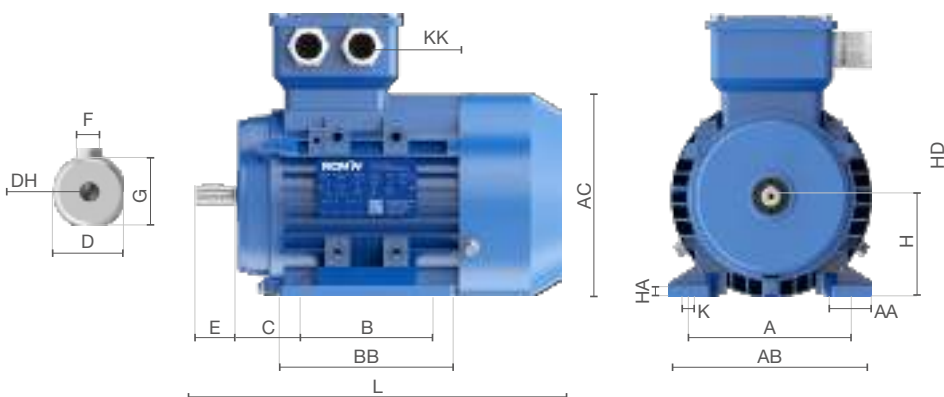
| | |
|----------------------|---------------|
| Material-of-unit-box | carton |
| size-of-unitbox | 235*140*185 |
| size-of-woden-case | 1150*820*1140 |

INFORMACIÓN ELÉCTRICA

| | |
|--------------------------|-----------|
| RPM | 3000RPM |
| Eficiencia (S) | 2 |
| Tensión (V) | 220/380V |
| Hz | 50Hz |
| Factor de Potencia (cos) | 0,8 |
| Potencia-HP | 0,25 |
| Potencia-kW | 0,18 |
| EFF-N | 60,4 |
| Corriente-A | 0.91/0.53 |
| dBA | 61 |
| Capacitor-UF-monofásicos | No Aplica |
| Aislamiento-ISOL | No Aplica |

CERTIFICACIONES

| | |
|-----------|----------|
| IP | IP55 |
| Norma-IEC | IEC60034 |
| Norma-ISO | ISO9001 |



RONIN
RM-T2-2A-00025-631-23



| A | AA | AB | AC | HD | B | BB | C | D | DH | E | F | G | HA | K | KK | L |
|-----|----|-----|-----|-----|----|-----|----|----|-------|----|---|-----|----|------|-----------|-----|
| 100 | 24 | 135 | 123 | 174 | 80 | 100 | 40 | 11 | M4*12 | 23 | 4 | 8.5 | 7 | 7*10 | 2-M20*1.5 | 221 |



MODELO RM-T2-2A-00033-632-23

Trifásicos
Aluminio

3000RPM
2P

HP
0,33

INFORMACIÓN GENERAL

| | |
|---------|-----------------------|
| Sku | RM-T2-2A-00033-632-23 |
| EAN13 | 7428325600362 |
| Tipo | Trifásico |
| Carcasa | 632 |
| Polos | 2 |

INFORMACIÓN FÍSICA

| | |
|----------------|-------------|
| Dimensiones-mm | 235*140*185 |
| Peso-kg | 4 |
| Material | Aluminio |

LOGÍSTICA

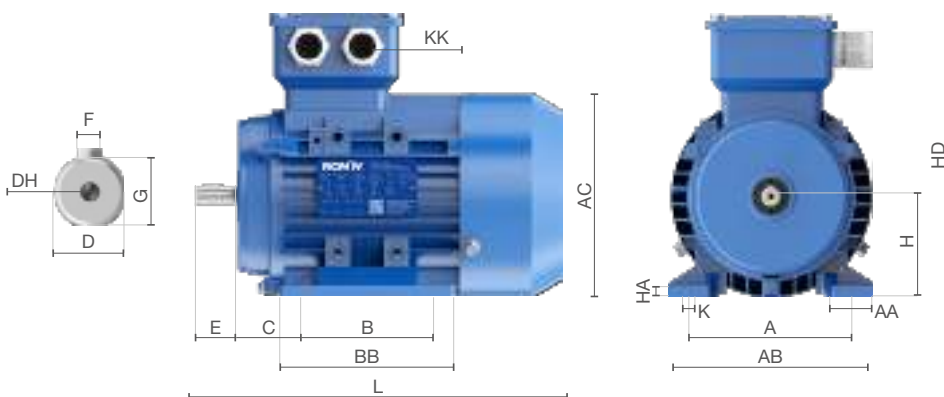
| | |
|----------------------|---------------|
| Material-of-unit-box | carton |
| size-of-unitbox | 235*140*185 |
| size-of-woden-case | 1150*820*1140 |

INFORMACIÓN ELÉCTRICA

| | |
|--------------------------|-----------|
| RPM | 3000RPM |
| Eficiencia (S) | 2 |
| Tensión (V) | 220/380V |
| Hz | 50Hz |
| Factor de Potencia (cos) | 0,81 |
| Potencia-HP | 0,33 |
| Potencia-kW | 0,25 |
| EFF-N | 64,8 |
| Corriente-A | 1.2/0.69 |
| dBA | 61 |
| Capacitor-UF-monofásicos | No Aplica |
| Aislamiento-ISOL | No Aplica |

CERTIFICACIONES

| | |
|-----------|----------|
| IP | IP55 |
| Norma-IEC | IEC60034 |
| Norma-ISO | ISO9001 |



RONIN

RM-T2-2A-00033-632-23



| A | AA | AB | AC | HD | B | BB | C | D | DH | E | F | G | HA | K | KK | L |
|-----|----|-----|-----|-----|----|-----|----|----|-------|----|---|-----|----|------|-----------|-----|
| 100 | 24 | 135 | 123 | 174 | 80 | 100 | 40 | 11 | M4*12 | 23 | 4 | 8.5 | 7 | 7*10 | 2-M20*1.5 | 221 |



MODELO RM-T2-2A-00050-711-23

Trifásicos
Aluminio

3000RPM
2P

HP
0,50

INFORMACIÓN GENERAL

| | |
|---------|-----------------------|
| Sku | RM-T2-2A-00050-711-23 |
| EAN13 | 7428325600379 |
| Tipo | Trifásico |
| Carcasa | 711 |
| Polos | 2 |

INFORMACIÓN FÍSICA

| | |
|----------------|-------------|
| Dimensiones-mm | 260*170*215 |
| Peso-kg | 6,5 |
| Material | Aluminio |

LOGÍSTICA

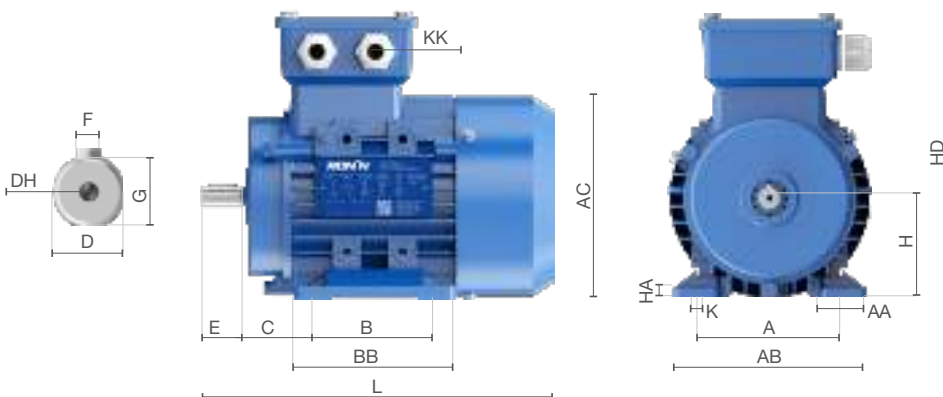
| | |
|----------------------|---------------|
| Material-of-unit-box | carton |
| size-of-unitbox | 260*170*215 |
| size-of-woden-case | 1150*850*1030 |

INFORMACIÓN ELÉCTRICA

| | |
|--------------------------|-----------|
| RPM | 3000RPM |
| Eficiencia (S) | 2 |
| Tensión (V) | 220/380V |
| Hz | 50Hz |
| Factor de Potencia (cos) | 0,81 |
| Potencia-HP | 0,50 |
| Potencia-kW | 0,37 |
| EFF-N | 69,5 |
| Corriente-A | 1.7/1 |
| dBA | 64 |
| Capacitor-UF-monofásicos | No Aplica |
| Aislamiento-ISOL | No Aplica |

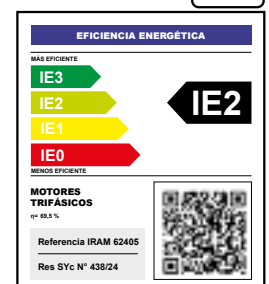
CERTIFICACIONES

| | |
|-----------|----------|
| IP | IP55 |
| Norma-IEC | IEC60034 |
| Norma-ISO | ISO9001 |



RONIN

RM-T2-2A-00050-711-23



| A | AA | AB | AC | HD | B | BB | C | D | DH | E | F | G | HA | K | KK | L |
|-----|----|-----|-----|-----|----|-----|----|----|-------|----|---|----|----|------|-----------|-----|
| 112 | 26 | 150 | 136 | 198 | 90 | 110 | 45 | 14 | M5*12 | 30 | 5 | 11 | 8 | 7*10 | 2-M20*1,5 | 247 |



MODELO RM-T2-2A-00075-712-23

Trifásicos
Aluminio

3000RPM
2P

HP
0,75

INFORMACIÓN GENERAL

| | |
|---------|-----------------------|
| Sku | RM-T2-2A-00075-712-23 |
| EAN13 | 7428325600386 |
| Tipo | Trifásico |
| Carcasa | 712 |
| Polos | 2 |

INFORMACIÓN FÍSICA

| | |
|----------------|-------------|
| Dimensiones-mm | 260*170*215 |
| Peso-kg | 6,7 |
| Material | Aluminio |

LOGÍSTICA

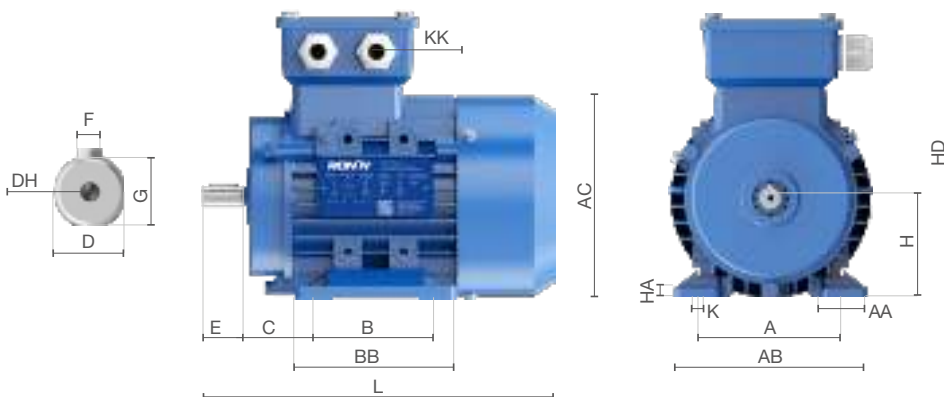
| | |
|----------------------|---------------|
| Material-of-unit-box | carton |
| size-of-unitbox | 260*170*215 |
| size-of-woden-case | 1150*850*1030 |

INFORMACIÓN ELÉCTRICA

| | |
|--------------------------|-----------|
| RPM | 3000RPM |
| Eficiencia (S) | 2 |
| Tensión (V) | 220/380V |
| Hz | 50Hz |
| Factor de Potencia (cos) | 0,82 |
| Potencia-HP | 0,75 |
| Potencia-kW | 0,55 |
| EFF-N | 74,1 |
| Corriente-A | 2.4/1.4 |
| dBA | 64 |
| Capacitor-UF-monofásicos | No Aplica |
| Aislamiento-ISOL | No Aplica |

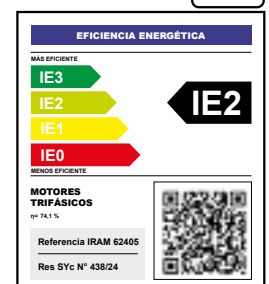
CERTIFICACIONES

| | |
|-----------|----------|
| IP | IP55 |
| Norma-IEC | IEC60034 |
| Norma-ISO | ISO9001 |



RONIN

RM-T2-2A-00075-712-23



| | | | | | | | | | | | | | | | | |
|-----|----|-----|-----|-----|----|-----|----|----|-------|----|---|----|----|------|-----------|-----|
| A | AA | AB | AC | HD | B | BB | C | D | DH | E | F | G | HA | K | KK | L |
| 112 | 26 | 150 | 136 | 198 | 90 | 110 | 45 | 14 | M5*12 | 30 | 5 | 11 | 8 | 7*10 | 2-M20*1.5 | 247 |



MODELO RM-T2-2A-00100-801-23

Trifásicos
Aluminio

3000RPM
2P

HP
1,00

INFORMACIÓN GENERAL

| | |
|---------|-----------------------|
| Sku | RM-T2-2A-00100-801-23 |
| EAN13 | 7428325600393 |
| Tipo | Trifásico |
| Carcasa | 801 |
| Polos | 2 |

INFORMACIÓN FÍSICA

| | |
|----------------|-------------|
| Dimensiones-mm | 320*220*260 |
| Peso-kg | 11 |
| Material | Aluminio |

LOGÍSTICA

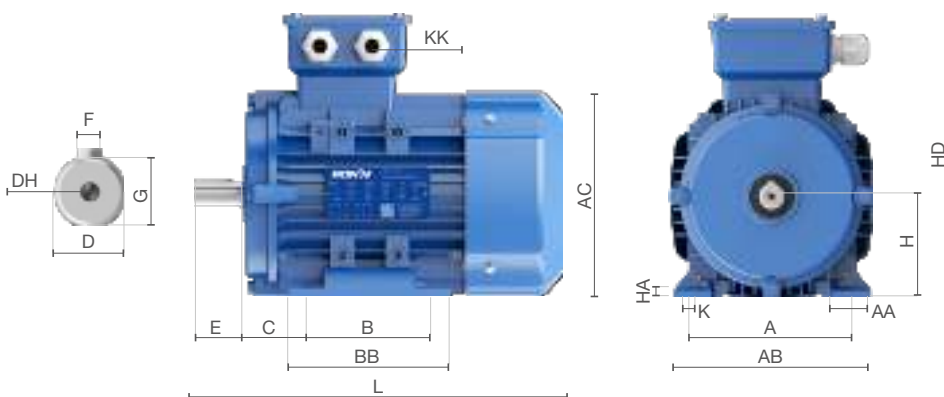
| | |
|----------------------|---------------|
| Material-of-unit-box | carton |
| size-of-unitbox | 320*220*260 |
| size-of-woden-case | 1150*850*1030 |

INFORMACIÓN ELÉCTRICA

| | |
|--------------------------|-----------|
| RPM | 3000RPM |
| Eficiencia (S) | 2 |
| Tensión (V) | 220/380V |
| Hz | 50Hz |
| Factor de Potencia (cos) | 0,82 |
| Potencia-HP | 1,00 |
| Potencia-kW | 0,75 |
| EFF-N | 77,4 |
| Corriente-A | 3.1/1.8 |
| dBA | 62 |
| Capacitor-UF-monofásicos | No Aplica |
| Aislamiento-ISOL | No Aplica |

CERTIFICACIONES

| | |
|-----------|----------|
| IP | IP55 |
| Norma-IEC | IEC60034 |
| Norma-ISO | ISO9001 |



| A | AA | AB | AC | HD | B | BB | C | D | DH | E | F | G | HA | K | KK | L |
|-----|----|-----|-----|-----|-----|-----|----|----|-------|----|---|------|----|-------|-----------|-----|
| 125 | 35 | 141 | 157 | 220 | 100 | 125 | 50 | 19 | M6*16 | 40 | 6 | 15.5 | 8 | 10*14 | 2-M25*1.5 | 295 |



MODELO RM-T2-2A-00150-802-23

Trifásicos
Aluminio

3000RPM
2P

HP
1,50

INFORMACIÓN GENERAL

| | |
|---------|-----------------------|
| Sku | RM-T2-2A-00150-802-23 |
| EAN13 | 7428325600409 |
| Tipo | Trifásico |
| Carcasa | 802 |
| Polos | 2 |

INFORMACIÓN FÍSICA

| | |
|----------------|-------------|
| Dimensiones-mm | 320*220*260 |
| Peso-kg | - |
| Material | Aluminio |

LOGÍSTICA

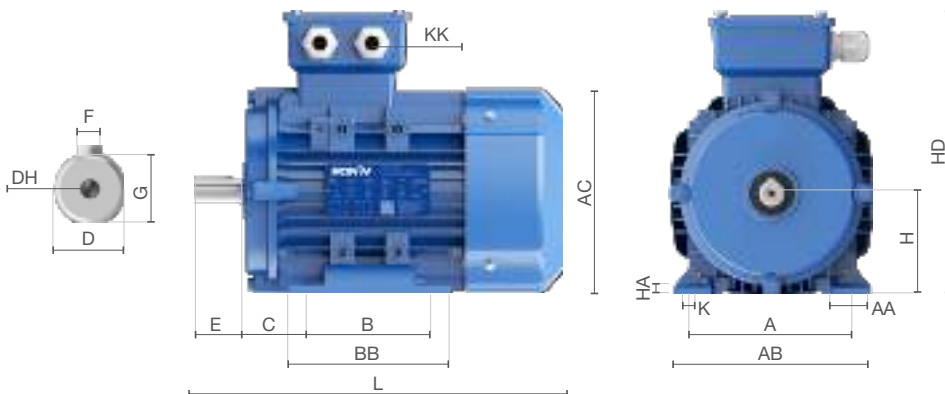
| | |
|----------------------|---------------|
| Material-of-unit-box | carton |
| size-of-unitbox | 1150*850*1030 |
| size-of-woden-case | 1150*850*1030 |

INFORMACIÓN ELÉCTRICA

| | |
|--------------------------|-----------|
| RPM | 3000RPM |
| Eficiencia (S) | 2 |
| Tensión (V) | 220/380V |
| Hz | 50Hz |
| Factor de Potencia (cos) | 0,83 |
| Potencia-HP | 1,50 |
| Potencia-kW | 1,10 |
| EFF-N | 79,6 |
| Corriente-A | 4.4/2.5 |
| dBA | 62 |
| Capacitor-UF-monofásicos | No Aplica |
| Aislamiento-ISOL | No Aplica |

CERTIFICACIONES

| | |
|-----------|----------|
| IP | IP55 |
| Norma-IEC | IEC60034 |
| Norma-ISO | ISO9001 |



RM-T2-2A-00150-802-23



| A | AA | AB | AC | HD | B | BB | C | D | DH | E | F | G | HA | K | KK | L |
|-----|----|-----|-----|-----|-----|-----|----|----|-------|----|---|------|----|-------|-----------|-----|
| 125 | 35 | 141 | 157 | 220 | 100 | 125 | 50 | 19 | M6*16 | 40 | 6 | 15.5 | 8 | 10*14 | 2-M25*1.5 | 295 |



MODELO RM-T2-2A-00200-90S-23

Trifásicos
Aluminio

3000RPM
2P

HP
2,00

INFORMACIÓN GENERAL

| | |
|---------|-----------------------|
| Sku | RM-T2-2A-00200-90S-23 |
| EAN13 | 7428325600416 |
| Tipo | Trifásico |
| Carcasa | 90S |
| Polos | 2 |

INFORMACIÓN FÍSICA

| | |
|----------------|-------------|
| Dimensiones-mm | 355*210*270 |
| Peso-kg | - |
| Material | Aluminio |

LOGÍSTICA

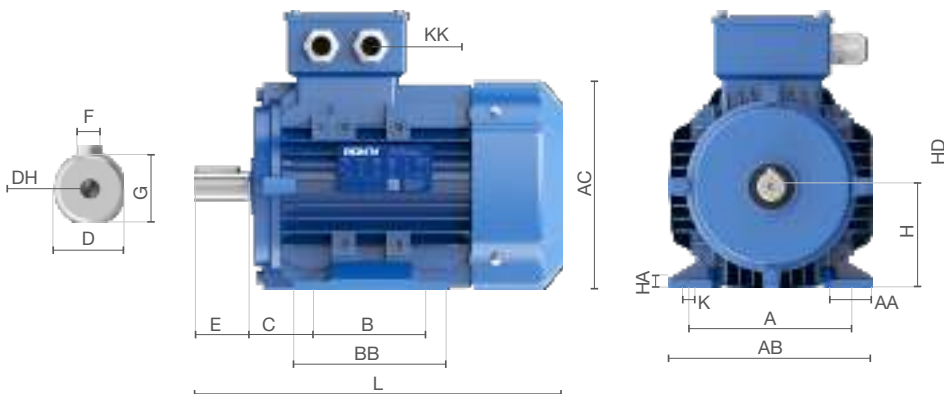
| | |
|----------------------|---------------|
| Material-of-unit-box | carton |
| size-of-unitbox | 1150*850*1030 |
| size-of-woden-case | 1150*850*1030 |

INFORMACIÓN ELÉCTRICA

| | |
|--------------------------|-----------|
| RPM | 3000RPM |
| Eficiencia (S) | 2 |
| Tensión (V) | 220/380V |
| Hz | 50Hz |
| Factor de Potencia (cos) | 0,84 |
| Potencia-HP | 2,00 |
| Potencia-kW | 1,50 |
| EFF-N | 81,3 |
| Corriente-A | 5.8/3.3 |
| dBA | 67 |
| Capacitor-UF-monofásicos | No Aplica |
| Aislamiento-ISOL | No Aplica |

CERTIFICACIONES

| | |
|-----------|----------|
| IP | IP55 |
| Norma-IEC | IEC60034 |
| Norma-ISO | ISO9001 |



RM-T2-2A-00200-90S-23



| A | AA | AB | AC | HD | B | BB | C | D | DH | E | F | G | HA | K | KK | L |
|-----|----|-----|-----|-----|-----|-----|----|----|-------|----|---|----|----|-------|-----------|-----|
| 140 | 37 | 177 | 177 | 240 | 100 | 125 | 56 | 24 | M8*19 | 50 | 8 | 20 | 10 | 10*14 | 2-M25*1.5 | 327 |



MODELO RM-T2-2A-00300-90L-23

Trifásicos
Aluminio

3000RPM
2P

HP
3,00

INFORMACIÓN GENERAL

| | |
|---------|-----------------------|
| Sku | RM-T2-2A-00300-90L-23 |
| EAN13 | 7428325600423 |
| Tipo | Trifásico |
| Carcasa | 90L |
| Polos | 2 |

INFORMACIÓN FÍSICA

| | |
|----------------|-------------|
| Dimensiones-mm | 380*210*270 |
| Peso-kg | - |
| Material | Aluminio |

LOGÍSTICA

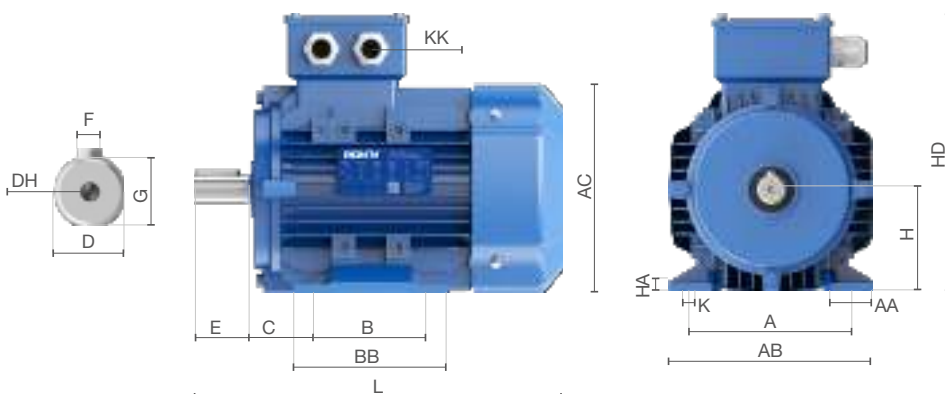
| | |
|----------------------|---------------|
| Material-of-unit-box | carton |
| size-of-unitbox | 1150*850*1290 |
| size-of-woden-case | 1150*850*1290 |

INFORMACIÓN ELÉCTRICA

| | |
|--------------------------|-----------|
| RPM | 3000RPM |
| Eficiencia (S) | 2 |
| Tensión (V) | 220/380V |
| Hz | 50Hz |
| Factor de Potencia (cos) | 0,85 |
| Potencia-HP | 3,00 |
| Potencia-kW | 2,20 |
| EFF-N | 83,2 |
| Corriente-A | 8.2/4.7 |
| dBA | 67 |
| Capacitor-UF-monofásicos | No Aplica |
| Aislamiento-ISOL | No Aplica |

CERTIFICACIONES

| | |
|-----------|----------|
| IP | IP55 |
| Norma-IEC | IEC60034 |
| Norma-ISO | ISO9001 |



RM-T2-2A-00300-90L-23



| | | | | | | | | | | | | | | | | |
|-----|----|-----|-----|-----|-----|-----|----|----|-------|----|---|----|----|-------|-----------|-----|
| A | AA | AB | AC | HD | B | BB | C | D | DH | E | F | G | HA | K | KK | L |
| 140 | 37 | 177 | 177 | 240 | 125 | 150 | 56 | 24 | M8*19 | 50 | 8 | 20 | 10 | 10*14 | 2-M25*1.5 | 357 |



MODELO RM-T2-2A-00400-100-23

Trifásicos
Aluminio

3000RPM
2P

HP
4,00

INFORMACIÓN GENERAL

| | |
|---------|-----------------------|
| Sku | RM-T2-2A-00400-100-23 |
| EAN13 | 7428325600430 |
| Tipo | Trifásico |
| Carcasa | 100L |
| Polos | 2 |

INFORMACIÓN FÍSICA

| | |
|----------------|-------------|
| Dimensiones-mm | 405*230*295 |
| Peso-kg | - |
| Material | Aluminio |

LOGÍSTICA

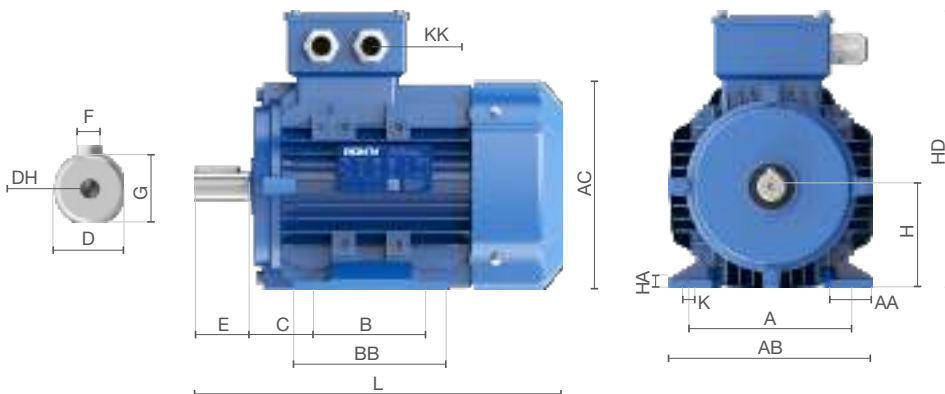
| | |
|----------------------|---------------|
| Material-of-unit-box | carton |
| size-of-unitbox | 1150*820*1140 |
| size-of-woden-case | 1150*820*1140 |

INFORMACIÓN ELÉCTRICA

| | |
|--------------------------|-----------|
| RPM | 3000RPM |
| Eficiencia (S) | 2 |
| Tensión (V) | 220/380V |
| Hz | 50Hz |
| Factor de Potencia (cos) | 0,87 |
| Potencia-HP | 4,00 |
| Potencia-kW | 3,00 |
| EFF-N | 84,6 |
| Corriente-A | 10.7/6.2 |
| dBA | 74 |
| Capacitor-UF-monofásicos | No Aplica |
| Aislamiento-ISOL | No Aplica |

CERTIFICACIONES

| | |
|-----------|----------|
| IP | IP55 |
| Norma-IEC | IEC60034 |
| Norma-ISO | ISO9001 |



RM-T2-2A-00400-100-23



| A | AA | AB | AC | HD | B | BB | C | D | DH | E | F | G | HA | K | KK | L |
|-----|----|-----|-----|-----|-----|-----|----|----|--------|----|---|----|----|-------|-----------|-----|
| 160 | 40 | 196 | 197 | 267 | 140 | 172 | 63 | 28 | M10*22 | 60 | 8 | 24 | 11 | 12*16 | 2-M32*1.5 | 403 |



MODELO RM-T2-2A-00550-112-36

Trifásicos
Aluminio

3000RPM
2P

HP
5,50

INFORMACIÓN GENERAL

| | |
|---------|-----------------------|
| Sku | RM-T2-2A-00550-112-36 |
| EAN13 | 7428325600447 |
| Tipo | Trifásico |
| Carcasa | 112M |
| Polos | 2 |

INFORMACIÓN FÍSICA

| | |
|----------------|-------------|
| Dimensiones-mm | 420*245*310 |
| Peso-kg | - |
| Material | Aluminio |

LOGÍSTICA

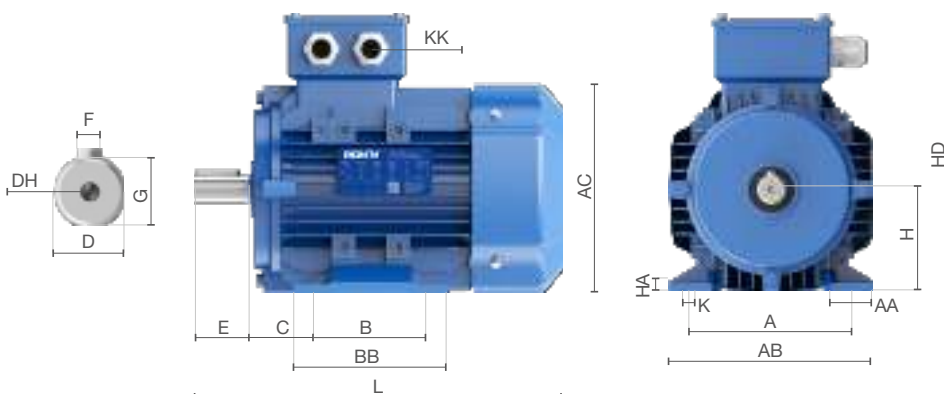
| | |
|----------------------|---------------|
| Material-of-unit-box | carton |
| size-of-unitbox | 1112*992*1222 |
| size-of-woden-case | 1112*992*1222 |

INFORMACIÓN ELÉCTRICA

| | |
|--------------------------|-----------|
| RPM | 3000RPM |
| Eficiencia (S) | 2 |
| Tensión (V) | 380/660V |
| Hz | 50Hz |
| Factor de Potencia (cos) | 0,88 |
| Potencia-HP | 5,50 |
| Potencia-kW | 4,00 |
| EFF-N | 85,8 |
| Corriente-A | 8/4.6 |
| dBA | 77 |
| Capacitor-UF-monofásicos | No Aplica |
| Aislamiento-ISOL | No Aplica |

CERTIFICACIONES

| | |
|-----------|----------|
| IP | IP55 |
| Norma-IEC | IEC60034 |
| Norma-ISO | ISO9001 |



RM-T2-2A-00550-112-36



| A | AA | AB | AC | HD | B | BB | C | D | DH | E | F | G | HA | K | KK | L |
|-----|----|-----|-----|-----|-----|-----|----|----|--------|----|---|----|----|-------|-----------|-----|
| 190 | 41 | 226 | 219 | 289 | 140 | 180 | 70 | 28 | M10*22 | 60 | 8 | 24 | 12 | 12*16 | 2-M32*1.5 | 430 |



MODELO RM-T2-2A-00750-132-36

Trifásicos
Aluminio

3000RPM
2P

HP
7,50

INFORMACIÓN GENERAL

| | |
|---------|-----------------------|
| Sku | RM-T2-2A-00750-132-36 |
| EAN13 | 7428325600454 |
| Tipo | Trifásico |
| Carcasa | 132S1 |
| Polos | 2 |

INFORMACIÓN FÍSICA

| | |
|----------------|-------------|
| Dimensiones-mm | 500*290*340 |
| Peso-kg | - |
| Material | Aluminio |

LOGÍSTICA

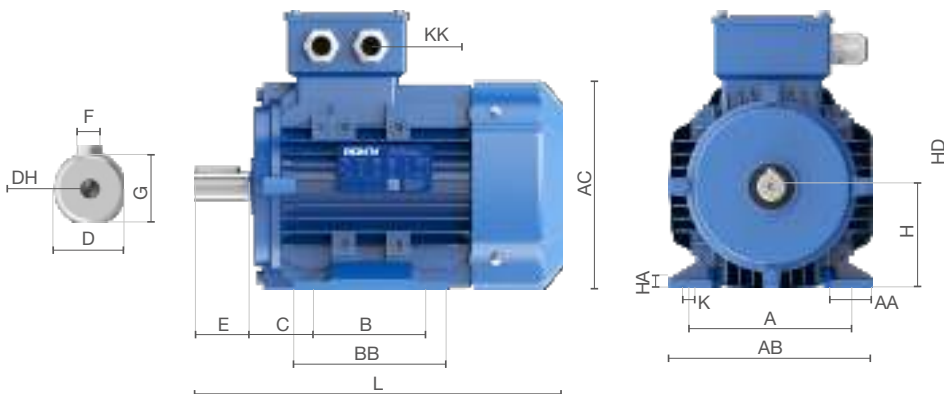
| | |
|----------------------|---------------|
| Material-of-unit-box | carton |
| size-of-unitbox | 1142*712*1372 |
| size-of-woden-case | 1142*712*1372 |

INFORMACIÓN ELÉCTRICA

| | |
|--------------------------|-----------|
| RPM | 3000RPM |
| Eficiencia (S) | 2 |
| Tensión (V) | 380/660V |
| Hz | 50Hz |
| Factor de Potencia (cos) | 0,88 |
| Potencia-HP | 7,50 |
| Potencia-kW | 5,50 |
| EFF-N | 87,0 |
| Corriente-A | 10.9/6.3 |
| dBA | 79 |
| Capacitor-UF-monofásicos | No Aplica |
| Aislamiento-ISOL | No Aplica |

CERTIFICACIONES

| | |
|-----------|----------|
| IP | IP55 |
| Norma-IEC | IEC60034 |
| Norma-ISO | ISO9001 |



RONIN[®]
RM-T2-2A-00750-132-36

EFICIENCIA ENERGÉTICA

MÁS EFICIENTE

IE3

IE2

IE1

IE0

MEJOS EFICIENTE

IE2

MOTORES TRIFÁSICOS
η = 87,0 %

Referencia IRAM 62405

Res SYc N° 438/24

| | | | | | | | | | | | | | | | | |
|-----|----|-----|-----|-----|-----|-----|----|----|--------|----|----|----|----|-------|-----------|-----|
| A | AA | AB | AC | HD | B | BB | C | D | DH | E | F | G | HA | K | KK | L |
| 216 | 51 | 260 | 258 | 328 | 140 | 186 | 89 | 38 | M12*28 | 80 | 10 | 33 | 15 | 12*16 | 2-M32*1.5 | 460 |



MODELO RM-T2-2A-00850-132-36

Trifásicos
Aluminio

3000RPM
2P

HP
8,50

INFORMACIÓN GENERAL

| | |
|---------|-----------------------|
| Sku | RM-T2-2A-00850-132-36 |
| EAN13 | 7428325600461 |
| Tipo | Trifásico |
| Carcasa | 132S2 |
| Polos | 2 |

INFORMACIÓN FÍSICA

| | |
|----------------|-------------|
| Dimensiones-mm | 500*290*340 |
| Peso-kg | - |
| Material | Aluminio |

LOGÍSTICA

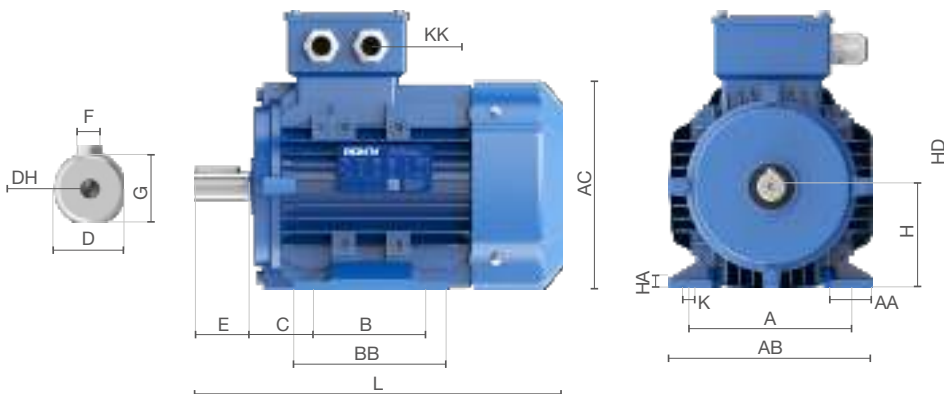
| | |
|----------------------|---------------|
| Material-of-unit-box | carton |
| size-of-unitbox | 1142*712*1372 |
| size-of-woden-case | 1142*712*1372 |

INFORMACIÓN ELÉCTRICA

| | |
|--------------------------|-----------|
| RPM | 3000RPM |
| Eficiencia (S) | 2 |
| Tensión (V) | 380/660V |
| Hz | 50Hz |
| Factor de Potencia (cos) | 0,89 |
| Potencia-HP | 8,50 |
| Potencia-kW | 7,50 |
| EFF-N | 88,1 |
| Corriente-A | 14.5/8.4 |
| dBA | 79 |
| Capacitor-UF-monofásicos | No Aplica |
| Aislamiento-ISOL | No Aplica |

CERTIFICACIONES

| | |
|-----------|----------|
| IP | IP55 |
| Norma-IEC | IEC60034 |
| Norma-ISO | ISO9001 |



RM-T2-2A-00850-132-36



| A | AA | AB | AC | HD | B | BB | C | D | DH | E | F | G | HA | K | KK | L |
|-----|----|-----|-----|-----|-----|-----|----|----|--------|----|----|----|----|-------|-----------|-----|
| 216 | 51 | 260 | 258 | 328 | 140 | 186 | 89 | 38 | M12*28 | 80 | 10 | 33 | 15 | 12*16 | 2-M32*1.5 | 460 |



MODELO RM-T2-4A-00025-632-23

**Trifásicos
Aluminio**

**1500RPM
4P**

**HP
0,25**

INFORMACIÓN GENERAL

| | |
|---------|-----------------------|
| Sku | RM-T2-4A-00025-632-23 |
| EAN13 | 7428325600478 |
| Tipo | Trifásico |
| Carcasa | 632 |
| Polos | 4 |

INFORMACIÓN FÍSICA

| | |
|----------------|-------------|
| Dimensiones-mm | 235*140*185 |
| Peso-kg | 4,6 |
| Material | Aluminio |

LOGÍSTICA

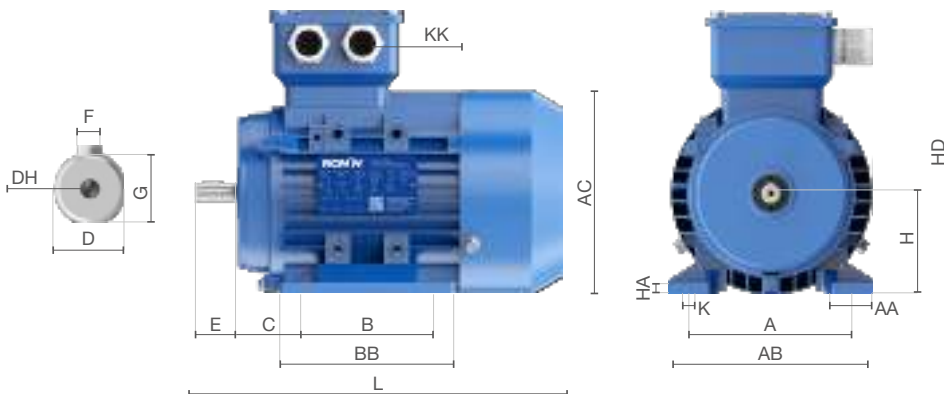
| | |
|----------------------|---------------|
| Material-of-unit-box | carton |
| size-of-unitbox | 235*140*185 |
| size-of-woden-case | 1150*820*1140 |

INFORMACIÓN ELÉCTRICA

| | |
|--------------------------|-----------|
| RPM | 1500RPM |
| Eficiencia (S) | 2 |
| Tensión (V) | 220/380V |
| Hz | 50Hz |
| Factor de Potencia (cos) | 0,73 |
| Potencia-HP | 0,25 |
| Potencia-kW | 0,18 |
| EFF-N | 64,9 |
| Corriente-A | 1/0.58 |
| dBA | 52 |
| Capacitor-UF-monofásicos | No Aplica |
| Aislamiento-ISOL | No Aplica |

CERTIFICACIONES

| | |
|-----------|----------|
| IP | IP55 |
| Norma-IEC | IEC60034 |
| Norma-ISO | ISO9001 |



| A | AA | AB | AC | HD | B | BB | C | D | DH | E | F | G | HA | K | KK | L |
|-----|----|-----|-----|-----|----|-----|----|----|-------|----|---|-----|----|------|-----------|-----|
| 100 | 24 | 135 | 123 | 174 | 80 | 100 | 40 | 11 | M4*12 | 23 | 4 | 8.5 | 7 | 7*10 | 2-M20*1.5 | 221 |



MODELO RM-T2-4A-00033-711-23

Trifásicos
Aluminio

1500RPM
4P

HP
0,33

INFORMACIÓN GENERAL

| | |
|---------|-----------------------|
| Sku | RM-T2-4A-00033-711-23 |
| EAN13 | 7428325600485 |
| Tipo | Trifásico |
| Carcasa | 711 |
| Polos | 4 |

INFORMACIÓN FÍSICA

| | |
|----------------|-------------|
| Dimensiones-mm | 260*170*215 |
| Peso-kg | 6,3 |
| Material | Aluminio |

LOGÍSTICA

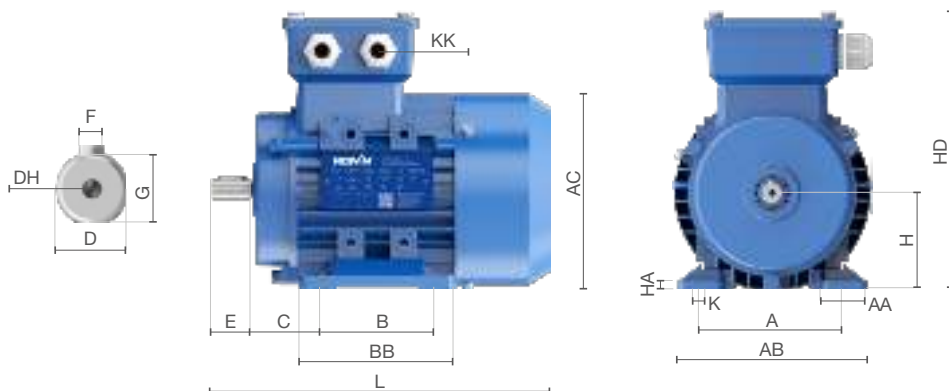
| | |
|----------------------|---------------|
| Material-of-unit-box | carton |
| size-of-unitbox | 260*170*215 |
| size-of-woden-case | 1150*850*1030 |

INFORMACIÓN ELÉCTRICA

| | |
|--------------------------|-----------|
| RPM | 1500RPM |
| Eficiencia (S) | 2 |
| Tensión (V) | 220/380V |
| Hz | 50Hz |
| Factor de Potencia (cos) | 0,74 |
| Potencia-HP | 0,33 |
| Potencia-kW | 0,25 |
| EFF-N | 68,5 |
| Corriente-A | 1.3/0.75 |
| dBA | 55 |
| Capacitor-UF-monofásicos | No Aplica |
| Aislamiento-ISOL | No Aplica |

CERTIFICACIONES

| | |
|-----------|----------|
| IP | IP55 |
| Norma-IEC | IEC60034 |
| Norma-ISO | ISO9001 |



RONIN
RM-T2-4A-00033-711-23



| | | | | | | | | | | | | | | | | |
|-----|----|-----|-----|-----|----|-----|----|----|-------|----|---|----|----|------|-----------|-----|
| A | AA | AB | AC | HD | B | BB | C | D | DH | E | F | G | HA | K | KK | L |
| 112 | 26 | 150 | 136 | 198 | 90 | 110 | 45 | 14 | M5*12 | 30 | 5 | 11 | 8 | 7*10 | 2-M20*1.5 | 247 |



MODELO RM-T2-4A-00050-712-23

**Trifásicos
Aluminio**

**1500RPM
4P**

**HP
0,50**

INFORMACIÓN GENERAL

| | |
|---------|-----------------------|
| Sku | RM-T2-4A-00050-712-23 |
| EAN13 | 7428325600492 |
| Tipo | Trifásico |
| Carcasa | 712 |
| Polos | 4 |

INFORMACIÓN FÍSICA

| | |
|----------------|-------------|
| Dimensiones-mm | 260*170*215 |
| Peso-kg | 6,8 |
| Material | Aluminio |

LOGÍSTICA

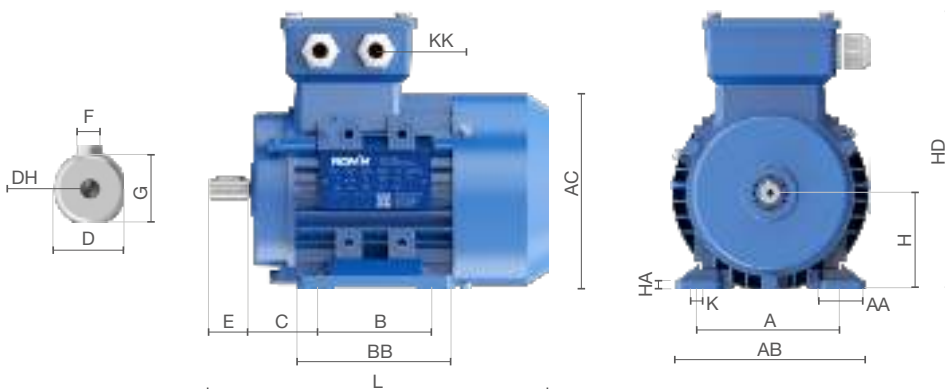
| | |
|----------------------|---------------|
| Material-of-unit-box | carton |
| size-of-unitbox | 260*170*215 |
| size-of-woden-case | 1150*850*1030 |

INFORMACIÓN ELÉCTRICA

| | |
|--------------------------|-----------|
| RPM | 1500RPM |
| Eficiencia (S) | 2 |
| Tensión (V) | 220/380V |
| Hz | 50Hz |
| Factor de Potencia (cos) | 0,75 |
| Potencia-HP | 0,50 |
| Potencia-kW | 0,37 |
| EFF-N | 72,7 |
| Corriente-A | 1.8/1.03 |
| dBA | 55 |
| Capacitor-UF-monofásicos | No Aplica |
| Aislamiento-ISOL | No Aplica |

CERTIFICACIONES

| | |
|-----------|----------|
| IP | IP55 |
| Norma-IEC | IEC60034 |
| Norma-ISO | ISO9001 |



RONIN[®]
RM-T2-4A-00050-712-23



EFICIENCIA ENERGÉTICA

MÁS EFICIENTE

IE3
IE2
IE1
IE0

IE2

MENOS EFICIENTE

MOTORES TRIFÁSICOS
nº 72,7 %

Referencia IRAM 62405

Res S'Yc N° 438/24

| | | | | | | | | | | | | | | | | |
|-----|----|-----|-----|-----|----|-----|----|----|-------|----|---|----|----|------|-----------|-----|
| A | AA | AB | AC | HD | B | BB | C | D | DH | E | F | G | HA | K | KK | L |
| 112 | 26 | 150 | 136 | 198 | 90 | 110 | 45 | 14 | M5*12 | 30 | 5 | 11 | 8 | 7*10 | 2-M20*1.5 | 247 |



MODELO RM-T2-4A-00075-801-23

Trifásicos
Aluminio

1500RPM
4P

HP
0,75

INFORMACIÓN GENERAL

| | |
|---------|-----------------------|
| Skü | RM-T2-4A-00075-801-23 |
| EAN13 | 7428325600508 |
| Tipo | Trifásico |
| Carcasa | 801 |
| Polos | 4 |

INFORMACIÓN FÍSICA

| | |
|----------------|-------------|
| Dimensiones-mm | 320*220*260 |
| Peso-kg | 11,5 |
| Material | Aluminio |

LOGÍSTICA

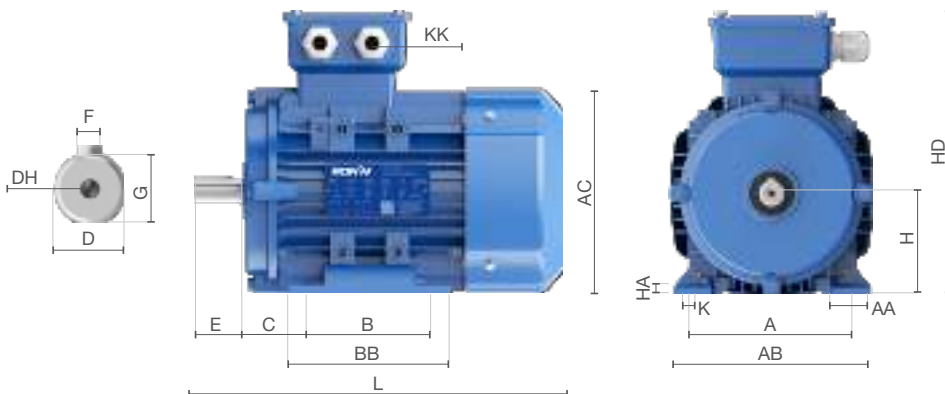
| | |
|----------------------|---------------|
| Material-of-unit-box | carton |
| size-of-unitbox | 320*220*260 |
| size-of-woden-case | 1150*850*1030 |

INFORMACIÓN ELÉCTRICA

| | |
|--------------------------|-----------|
| RPM | 1500RPM |
| Eficiencia (S) | 2 |
| Tensión (V) | 220/380V |
| Hz | 50Hz |
| Factor de Potencia (cos) | 0,75 |
| Potencia-HP | 0,75 |
| Potencia-kW | 0,55 |
| EFF-N | 78,0 |
| Corriente-A | 2.5/1.4 |
| dBA | 56 |
| Capacitor-UF-monofásicos | No Aplica |
| Aislamiento-ISOL | No Aplica |

CERTIFICACIONES

| | |
|-----------|----------|
| IP | IP55 |
| Norma-IEC | IEC60034 |
| Norma-ISO | ISO9001 |



RONIN

RM-T2-4A-00075-801-23



EFICIENCIA ENERGÉTICA

MÁS EFICIENTE

IE3

IE2

IE1

IE0

➔

IE2

MENOS EFICIENTE

MOTORES TRIFÁSICOS

η = 78,0 %

Referencia IRAM 62405

Res S'Vc N° 438/24

| A | AA | AB | AC | HD | B | BB | C | D | DH | E | F | G | HA | K | KK | L |
|-----|----|-----|-----|-----|-----|-----|----|----|-------|----|---|------|----|-------|-----------|-----|
| 125 | 35 | 141 | 157 | 220 | 100 | 125 | 50 | 19 | M6*16 | 40 | 6 | 15.5 | 8 | 10*14 | 2-M25*1.5 | 295 |



MODELO RM-T2-4A-00100-802-23

**Trifásicos
Aluminio**

**1500RPM
4P**

**HP
1,00**

INFORMACIÓN GENERAL

| | |
|---------|-----------------------|
| Sku | RM-T2-4A-00100-802-23 |
| EAN13 | 7428325600515 |
| Tipo | Trifásico |
| Carcasa | 802 |
| Polos | 4 |

INFORMACIÓN FÍSICA

| | |
|----------------|-------------|
| Dimensiones-mm | 320*220*260 |
| Peso-kg | 13 |
| Material | Aluminio |

LOGÍSTICA

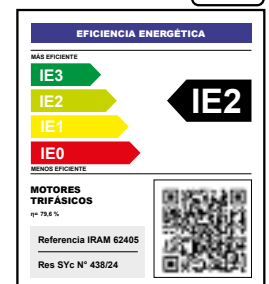
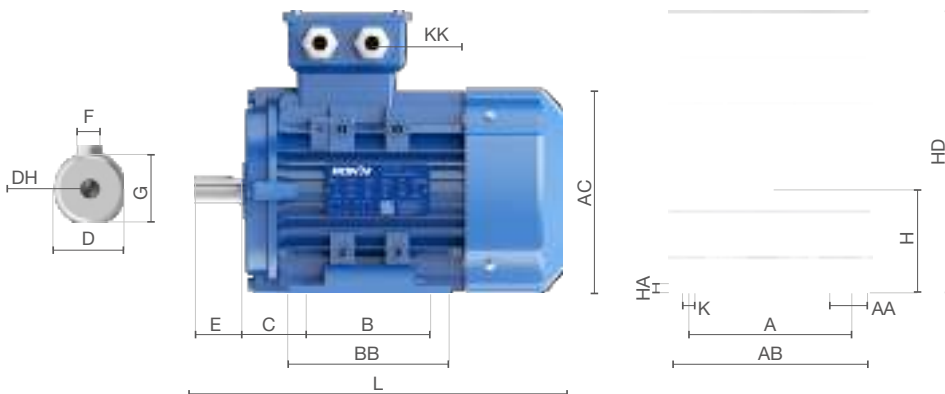
| | |
|----------------------|---------------|
| Material-of-unit-box | carton |
| size-of-unitbox | 320*220*260 |
| size-of-woden-case | 1150*850*1030 |

INFORMACIÓN ELÉCTRICA

| | |
|--------------------------|-----------|
| RPM | 1500RPM |
| Eficiencia (S) | 2 |
| Tensión (V) | 220/380V |
| Hz | 50Hz |
| Factor de Potencia (cos) | 0,76 |
| Potencia-HP | 1,00 |
| Potencia-kW | 0,75 |
| EFF-N | 79,6 |
| Corriente-A | 3.3/1.9 |
| dBA | 56 |
| Capacitor-UF-monofásicos | No Aplica |
| Aislamiento-ISOL | No Aplica |

CERTIFICACIONES

| | |
|-----------|----------|
| IP | IP55 |
| Norma-IEC | IEC60034 |
| Norma-ISO | ISO9001 |



| A | AA | AB | AC | HD | B | BB | C | D | DH | E | F | G | HA | K | KK | L |
|-----|----|-----|-----|-----|-----|-----|----|----|-------|----|---|------|----|-------|-----------|-----|
| 125 | 35 | 141 | 157 | 220 | 100 | 125 | 50 | 19 | M6*16 | 40 | 6 | 15.5 | 8 | 10*14 | 2-M25*1.5 | 295 |



MODELO RM-T2-4A-00150-90S-23

Trifásicos
Aluminio

1500RPM
4P

HP
1,00

INFORMACIÓN GENERAL

| | |
|---------|-----------------------|
| Skü | RM-T2-4A-00150-90S-23 |
| EAN13 | 7428325600522 |
| Tipo | Trifásico |
| Carcasa | 90S |
| Polos | 4 |

INFORMACIÓN FÍSICA

| | |
|----------------|-------------|
| Dimensiones-mm | 355*210*270 |
| Peso-kg | - |
| Material | Aluminio |

LOGÍSTICA

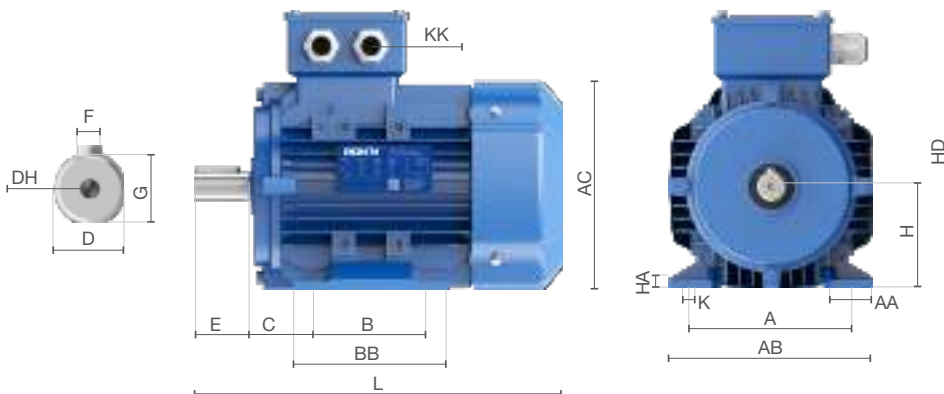
| | |
|----------------------|---------------|
| Material-of-unit-box | carton |
| size-of-unitbox | 1150*850*1030 |
| size-of-woden-case | 1150*850*1030 |

INFORMACIÓN ELÉCTRICA

| | |
|--------------------------|-----------|
| RPM | 1500RPM |
| Eficiencia (S) | 2 |
| Tensión (V) | 220/380V |
| Hz | 50Hz |
| Factor de Potencia (cos) | 0,77 |
| Potencia-HP | 1,50 |
| Potencia-kW | 1,10 |
| EFF-N | 81,4 |
| Corriente-A | 7.4/4.6 |
| dBA | 59 |
| Capacitor-UF-monofásicos | No Aplica |
| Aislamiento-ISOL | No Aplica |

CERTIFICACIONES

| | |
|-----------|----------|
| IP | IP55 |
| Norma-IEC | IEC60034 |
| Norma-ISO | ISO9001 |



RM-T2-4A-00150-90S-23



| | | | | | | | | | | | | | | | | |
|-----|----|-----|-----|-----|-----|-----|----|----|-------|----|---|----|----|-------|-----------|-----|
| A | AA | AB | AC | HD | B | BB | C | D | DH | E | F | G | HA | K | KK | L |
| 140 | 37 | 177 | 177 | 240 | 100 | 125 | 56 | 24 | M8*19 | 50 | 8 | 20 | 10 | 10*14 | 2-M25*1.5 | 327 |



MODELO RM-T2-4A-00200-90L-23

Trifásicos
Aluminio

1500RPM
4P

HP
2,00

INFORMACIÓN GENERAL

| | |
|---------|-----------------------|
| Sku | RM-T2-4A-00200-90L-23 |
| EAN13 | 7428325600539 |
| Tipo | Trifásico |
| Carcasa | 90L |
| Polos | 4 |

INFORMACIÓN FÍSICA

| | |
|----------------|-------------|
| Dimensiones-mm | 380*210*270 |
| Peso-kg | - |
| Material | Aluminio |

LOGÍSTICA

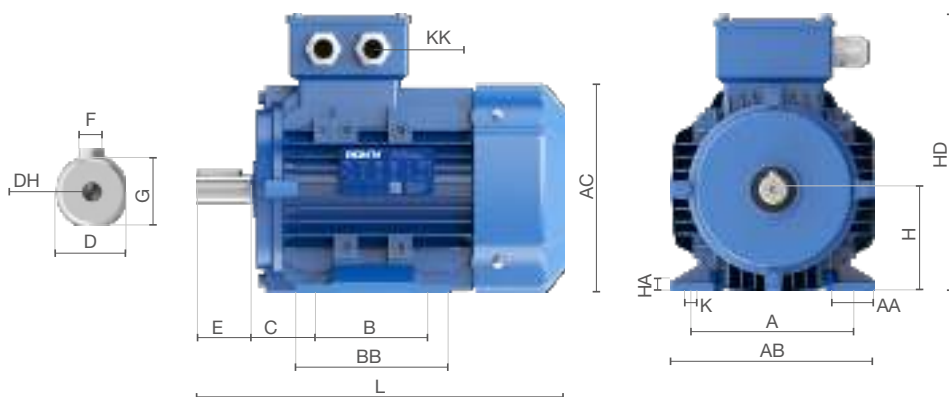
| | |
|----------------------|---------------|
| Material-of-unit-box | carton |
| size-of-unitbox | 1150*850*1290 |
| size-of-woden-case | 1150*850*1290 |

INFORMACIÓN ELÉCTRICA

| | |
|--------------------------|-----------|
| RPM | 1500RPM |
| Eficiencia (S) | 2 |
| Tensión (V) | 220/380V |
| Hz | 50Hz |
| Factor de Potencia (cos) | 0,78 |
| Potencia-HP | 2,00 |
| Potencia-kW | 1,50 |
| EFF-N | 82,8 |
| Corriente-A | 10.09/6.1 |
| dBA | 59 |
| Capacitor-UF-monofásicos | No Aplica |
| Aislamiento-ISOL | No Aplica |

CERTIFICACIONES

| | |
|-----------|----------|
| IP | IP55 |
| Norma-IEC | IEC60034 |
| Norma-ISO | ISO9001 |



RONIN
RM-T2-4A-00200-90L-23



| | | | | | | | | | | | | | | | | |
|-----|----|-----|-----|-----|-----|-----|----|----|-------|----|---|----|----|-------|-----------|-----|
| A | AA | AB | AC | HD | B | BB | C | D | DH | E | F | G | HA | K | KK | L |
| 140 | 37 | 177 | 177 | 240 | 125 | 150 | 56 | 24 | M8*19 | 50 | 8 | 20 | 10 | 10*14 | 2-M25*1.5 | 357 |



MODELO RM-T2-4A-00300-100-23

**Trifásicos
Aluminio**

**1500RPM
4P**

**HP
3,00**

INFORMACIÓN GENERAL

| | |
|---------|-----------------------|
| Sku | RM-T2-4A-00300-100-23 |
| EAN13 | 7428325600546 |
| Tipo | Trifásico |
| Carcasa | 100L1 |
| Polos | 4 |

INFORMACIÓN FÍSICA

| | |
|----------------|-------------|
| Dimensiones-mm | 405*230*295 |
| Peso-kg | - |
| Material | Aluminio |

LOGÍSTICA

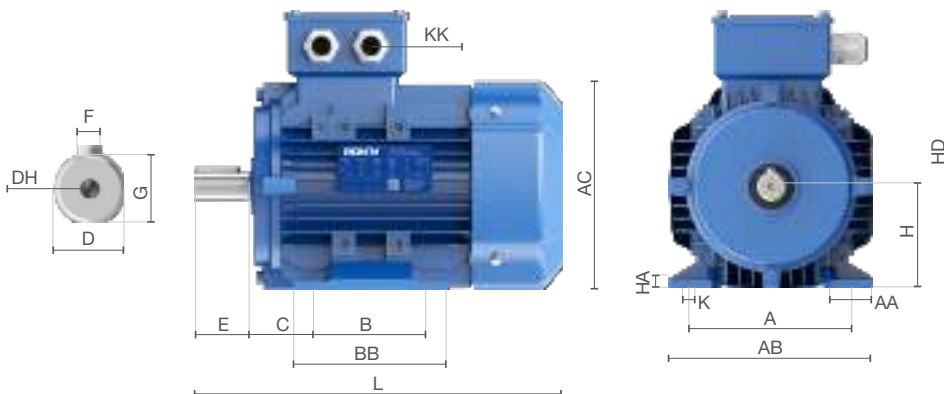
| | |
|----------------------|---------------|
| Material-of-unit-box | carton |
| size-of-unitbox | 1150*820*1140 |
| size-of-woden-case | 1150*820*1140 |

INFORMACIÓN ELÉCTRICA

| | |
|--------------------------|-----------|
| RPM | 1500RPM |
| Eficiencia (S) | 2 |
| Tensión (V) | 220/380V |
| Hz | 50Hz |
| Factor de Potencia (cos) | 0,8 |
| Potencia-HP | 3,00 |
| Potencia-kW | 2,20 |
| EFF-N | 84,3 |
| Corriente-A | 8.6/5 |
| dBA | 64 |
| Capacitor-UF-monofásicos | No Aplica |
| Aislamiento-ISOL | No Aplica |

CERTIFICACIONES

| | |
|-----------|----------|
| IP | IP55 |
| Norma-IEC | IEC60034 |
| Norma-ISO | ISO9001 |



RONIN[®]
RM-T2-4A-00300-100-23

EFICIENCIA ENERGÉTICA

MÁS EFICIENTE

IE3

IE2

IE1

IE0

MEJORES EFICIENTE

IE2

MOTORES TRIFÁSICOS
η = 84,3 %

Referencia IRAM 62405

Res SYC N° 438/24

| A | AA | AB | AC | HD | B | BB | C | D | DH | E | F | G | HA | K | KK | L |
|-----|----|-----|-----|-----|-----|-----|----|----|--------|----|---|----|----|-------|-----------|-----|
| 160 | 40 | 196 | 197 | 267 | 140 | 172 | 63 | 28 | M10*22 | 60 | 8 | 24 | 11 | 12*16 | 2-M32*1.5 | 403 |



MODELO RM-T2-4A-00400-100-23

Trifásicos
Aluminio

1500RPM
4P

HP
4,00

INFORMACIÓN GENERAL

| | |
|---------|-----------------------|
| Skü | RM-T2-4A-00400-100-23 |
| EAN13 | 7428325600553 |
| Tipo | Trifásico |
| Carcasa | 100L2 |
| Polos | 4 |

INFORMACIÓN FÍSICA

| | |
|----------------|-------------|
| Dimensiones-mm | 405*230*295 |
| Peso-kg | - |
| Material | Aluminio |

LOGÍSTICA

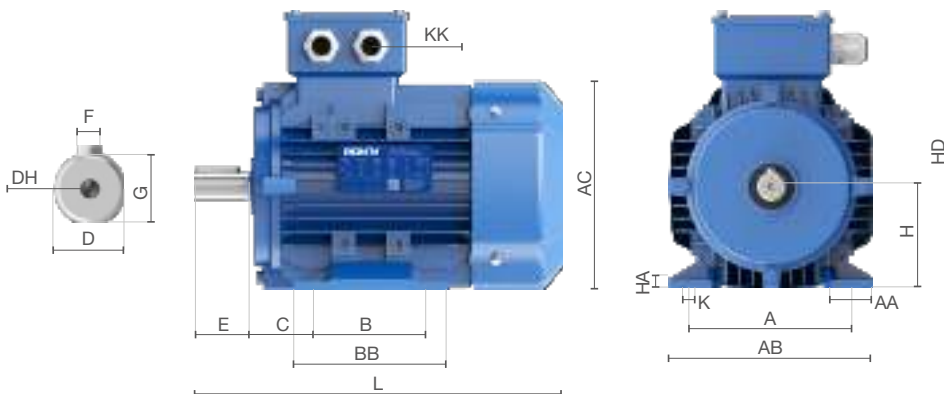
| | |
|----------------------|---------------|
| Material-of-unit-box | carton |
| size-of-unitbox | 1150*820*1140 |
| size-of-woden-case | 1150*820*1140 |

INFORMACIÓN ELÉCTRICA

| | |
|--------------------------|-----------|
| RPM | 1500RPM |
| Eficiencia (S) | 2 |
| Tensión (V) | 220/380V |
| Hz | 50Hz |
| Factor de Potencia (cos) | 0,81 |
| Potencia-HP | 4,00 |
| Potencia-kW | 3,00 |
| EFF-N | 85,5 |
| Corriente-A | 11.4/6.6 |
| dBA | 64 |
| Capacitor-UF-monofásicos | No Aplica |
| Aislamiento-ISOL | No Aplica |

CERTIFICACIONES

| | |
|-----------|----------|
| IP | IP55 |
| Norma-IEC | IEC60034 |
| Norma-ISO | ISO9001 |



RONIN
RM-T2-4A-00400-100-23



| A | AA | AB | AC | HD | B | BB | C | D | DH | E | F | G | HA | K | KK | L |
|-----|----|-----|-----|-----|-----|-----|----|----|--------|----|---|----|----|-------|-----------|-----|
| 160 | 40 | 196 | 197 | 267 | 140 | 172 | 63 | 28 | M10*22 | 60 | 8 | 24 | 11 | 12*16 | 2-M32*1.5 | 403 |



MODELO RM-T2-4A-00550-112-36

Trifásicos
Aluminio

1500RPM
4P

HP
5,50

INFORMACIÓN GENERAL

| | |
|---------|-----------------------|
| Sku | RM-T2-4A-00550-112-36 |
| EAN13 | 7428325600560 |
| Tipo | Trifásico |
| Carcasa | 112M |
| Polos | 4 |

INFORMACIÓN FÍSICA

| | |
|----------------|-------------|
| Dimensiones-mm | 420*245*310 |
| Peso-kg | - |
| Material | Aluminio |

LOGÍSTICA

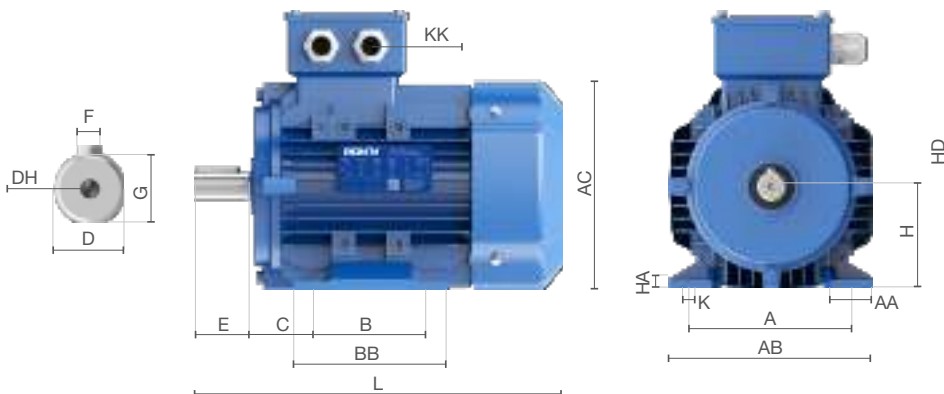
| | |
|----------------------|---------------|
| Material-of-unit-box | carton |
| size-of-unitbox | 1112*992*1222 |
| size-of-woden-case | 1112*992*1222 |

INFORMACIÓN ELÉCTRICA

| | |
|--------------------------|-----------|
| RPM | 1500RPM |
| Eficiencia (S) | 2 |
| Tensión (V) | 380/660V |
| Hz | 50Hz |
| Factor de Potencia (cos) | 0,81 |
| Potencia-HP | 5,50 |
| Potencia-kW | 4,00 |
| EFF-N | 86,6 |
| Corriente-A | 8.7/5 |
| dBA | 65 |
| Capacitor-UF-monofásicos | No Aplica |
| Aislamiento-ISOL | No Aplica |

CERTIFICACIONES

| | |
|-----------|----------|
| IP | IP55 |
| Norma-IEC | IEC60034 |
| Norma-ISO | ISO9001 |



RM-T2-4A-00550-112-36



| A | AA | AB | AC | HD | B | BB | C | D | DH | E | F | G | HA | K | KK | L |
|-----|----|-----|-----|-----|-----|-----|----|----|--------|----|---|----|----|-------|-----------|-----|
| 190 | 41 | 226 | 219 | 289 | 140 | 180 | 70 | 28 | M10*22 | 60 | 8 | 24 | 12 | 12*16 | 2-M32*1.5 | 430 |



MODELO RM-T2-4A-00750-132-36

Trifásicos
Aluminio

1500RPM
4P

HP
7,50

INFORMACIÓN GENERAL

| | |
|---------|-----------------------|
| Sku | RM-T2-4A-00750-132-36 |
| EAN13 | 7428325600577 |
| Tipo | Trifásico |
| Carcasa | 132S |
| Polos | 4 |

INFORMACIÓN FÍSICA

| | |
|----------------|-------------|
| Dimensiones-mm | 500*290*340 |
| Peso-kg | - |
| Material | Aluminio |

LOGÍSTICA

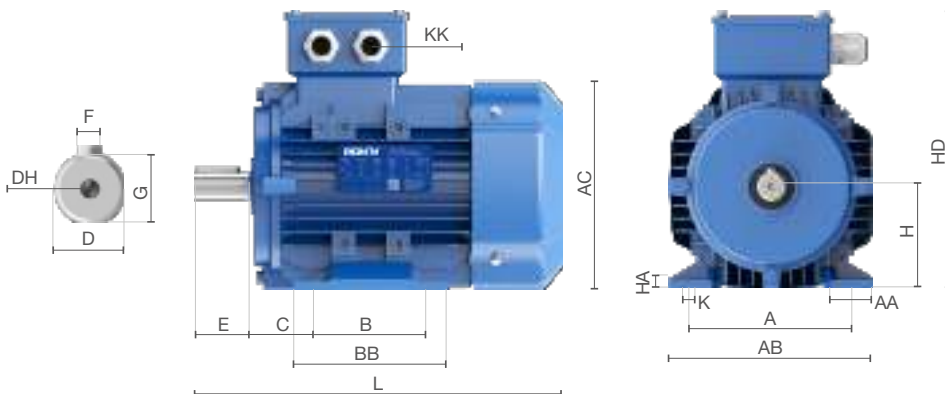
| | |
|----------------------|---------------|
| Material-of-unit-box | carton |
| size-of-unitbox | 1142*712*1372 |
| size-of-woden-case | 1142*712*1372 |

INFORMACIÓN ELÉCTRICA

| | |
|--------------------------|-----------|
| RPM | 1500RPM |
| Eficiencia (S) | 2 |
| Tensión (V) | 380/660V |
| Hz | 50Hz |
| Factor de Potencia (cos) | 0,82 |
| Potencia-HP | 7,50 |
| Potencia-kW | 5,50 |
| EFF-N | 87,7 |
| Corriente-A | 11.6/6.7 |
| dBA | 71 |
| Capacitor-UF-monofásicos | No Aplica |
| Aislamiento-ISOL | No Aplica |

CERTIFICACIONES

| | |
|-----------|----------|
| IP | IP55 |
| Norma-IEC | IEC60034 |
| Norma-ISO | ISO9001 |



RM-T2-4A-00750-132-36



| A | AA | AB | AC | HD | B | BB | C | D | DH | E | F | G | HA | K | KK | L |
|-----|----|-----|-----|-----|-----|-----|----|----|--------|----|----|----|----|-------|-----------|-----|
| 216 | 51 | 260 | 258 | 328 | 140 | 186 | 89 | 38 | M12*28 | 80 | 10 | 33 | 15 | 12*16 | 2-M32*1.5 | 460 |



MODELO RM-T2-4A-00850-132-36

Trifásicos
Aluminio

1500RPM
4P

HP
8,50

INFORMACIÓN GENERAL

| | |
|---------|-----------------------|
| Sku | RM-T2-4A-00850-132-36 |
| EAN13 | 7428325600584 |
| Tipo | Trifásico |
| Carcasa | 132M |
| Polos | 4 |

INFORMACIÓN FÍSICA

| | |
|----------------|-------------|
| Dimensiones-mm | 540*290*340 |
| Peso-kg | - |
| Material | Aluminio |

LOGÍSTICA

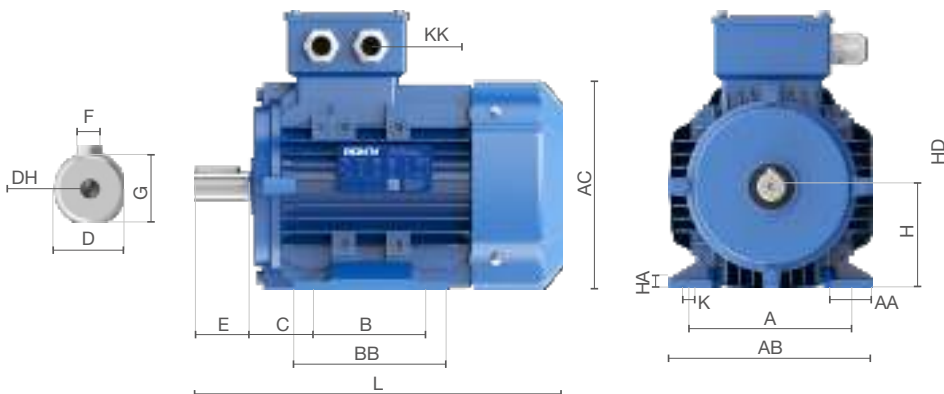
| | |
|----------------------|---------------|
| Material-of-unit-box | carton |
| size-of-unitbox | 1142*712*1372 |
| size-of-woden-case | 1142*712*1372 |

INFORMACIÓN ELÉCTRICA

| | |
|--------------------------|-----------|
| RPM | 1500RPM |
| Eficiencia (S) | 2 |
| Tensión (V) | 380/660V |
| Hz | 50Hz |
| Factor de Potencia (cos) | 0,83 |
| Potencia-HP | 8,50 |
| Potencia-kW | 7,50 |
| EFF-N | 88,7 |
| Corriente-A | 15.5/8.9 |
| dBA | 71 |
| Capacitor-UF-monofásicos | No Aplica |
| Aislamiento-ISOL | No Aplica |

CERTIFICACIONES

| | |
|-----------|----------|
| IP | IP55 |
| Norma-IEC | IEC60034 |
| Norma-ISO | ISO9001 |



RONIN[®]
RM-T2-4A-00850-132-36

EFICIENCIA ENERGÉTICA

MÁS EFICIENTE

IE3

IE2

IE1

IE0

MENOS EFICIENTE

IE2

MOTORES TRIFÁSICOS
η = 88,7 %

Referencia IRAM 62405

Res SYc N° 438/24

| A | AA | AB | AC | HD | B | BB | C | D | DH | E | F | G | HA | K | KK | L |
|-----|----|-----|-----|-----|-----|-----|----|----|--------|----|----|----|----|-------|-----------|-----|
| 216 | 51 | 260 | 258 | 328 | 178 | 224 | 89 | 38 | M16*36 | 80 | 10 | 33 | 15 | 12*16 | 2-M32*1.5 | 499 |



MODELO RM-T2-6A-00025-711-23

Trifásicos
Aluminio

1000RPM
6P

HP
0,25

INFORMACIÓN GENERAL

| | |
|---------|-----------------------|
| Skü | RM-T2-6A-00025-711-23 |
| EAN13 | 7428325600591 |
| Tipo | Trifásico |
| Carcasa | 711 |
| Polos | 6 |

INFORMACIÓN FÍSICA

| | |
|----------------|-------------|
| Dimensiones-mm | 260*170*215 |
| Peso-kg | 6,2 |
| Material | Aluminio |

LOGÍSTICA

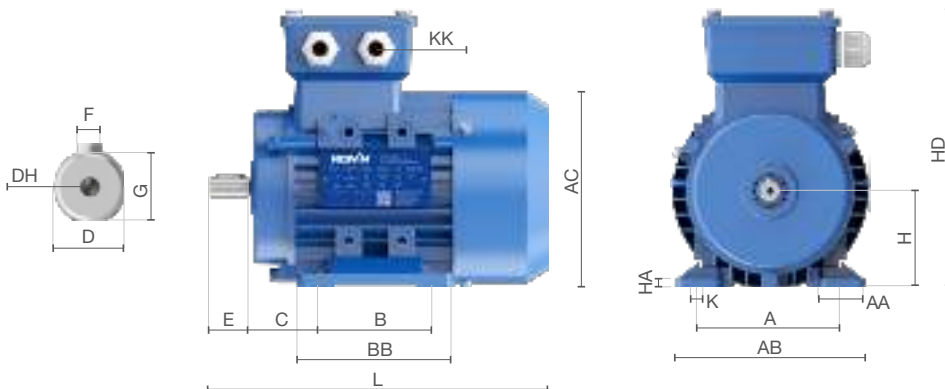
| | |
|----------------------|---------------|
| Material-of-unit-box | carton |
| size-of-unitbox | 260*170*215 |
| size-of-woden-case | 1150*850*1030 |

INFORMACIÓN ELÉCTRICA

| | |
|--------------------------|-----------|
| RPM | 1000RPM |
| Eficiencia (S) | 2 |
| Tensión (V) | 220/380V |
| Hz | 50Hz |
| Factor de Potencia (cos) | 0,66 |
| Potencia-HP | 0,25 |
| Potencia-kW | 0,18 |
| EFF-N | 56,6 |
| Corriente-A | 1.26/0.73 |
| dBA | 52 |
| Capacitor-UF-monofásicos | No Aplica |
| Aislamiento-ISOL | No Aplica |

CERTIFICACIONES

| | |
|-----------|----------|
| IP | IP55 |
| Norma-IEC | IEC60034 |
| Norma-ISO | ISO9001 |



| A | AA | AB | AC | HD | B | BB | C | D | DH | E | F | G | HA | K | KK | L |
|-----|----|-----|-----|-----|----|-----|----|----|-------|----|---|----|----|------|-----------|-----|
| 112 | 26 | 150 | 136 | 198 | 90 | 110 | 45 | 14 | M5*12 | 30 | 5 | 11 | 8 | 7*10 | 2-M20*1.5 | 247 |



MODELO RM-T2-6A-00033-712-23

Trifásicos
Aluminio

1000RPM
6P

HP
0,33

INFORMACIÓN GENERAL

| | |
|---------|-----------------------|
| Skü | RM-T2-6A-00033-712-23 |
| EAN13 | 7428325600607 |
| Tipo | Trifásico |
| Carcasa | 712 |
| Polos | 6 |

INFORMACIÓN FÍSICA

| | |
|----------------|-------------|
| Dimensiones-mm | 260*170*215 |
| Peso-kg | 6,5 |
| Material | Aluminio |

LOGÍSTICA

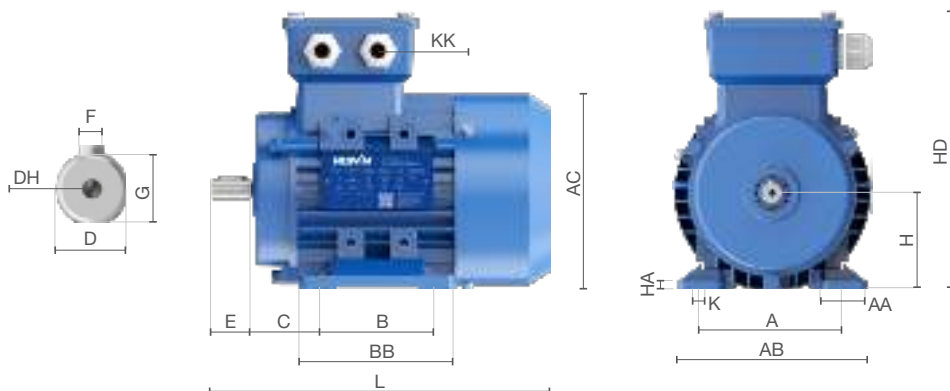
| | |
|----------------------|---------------|
| Material-of-unit-box | carton |
| size-of-unitbox | 260*170*215 |
| size-of-woden-case | 1150*850*1030 |

INFORMACIÓN ELÉCTRICA

| | |
|--------------------------|-----------|
| RPM | 1000RPM |
| Eficiencia (S) | 2 |
| Tensión (V) | 220/380V |
| Hz | 50Hz |
| Factor de Potencia (cos) | 0,68 |
| Potencia-HP | 0,33 |
| Potencia-kW | 0,25 |
| EFF-N | 61,6 |
| Corriente-A | 1.57/0.91 |
| dBA | 52 |
| Capacitor-UF-monofásicos | No Aplica |
| Aislamiento-ISOL | No Aplica |

CERTIFICACIONES

| | |
|-----------|----------|
| IP | IP55 |
| Norma-IEC | IEC60034 |
| Norma-ISO | ISO9001 |



RONIN
RM-T2-6A-00033-712-23



| A | AA | AB | AC | HD | B | BB | C | D | DH | E | F | G | HA | K | KK | L |
|-----|----|-----|-----|-----|----|-----|----|----|-------|----|---|----|----|------|-----------|-----|
| 112 | 26 | 150 | 136 | 198 | 90 | 110 | 45 | 14 | M5*12 | 30 | 5 | 11 | 8 | 7*10 | 2-M20*1.5 | 247 |



MODELO RM-T2-6A-00050-801-23

**Trifásicos
Aluminio**

**1000RPM
6P**

**HP
0,50**

INFORMACIÓN GENERAL

| | |
|---------|-----------------------|
| Sku | RM-T2-6A-00050-801-23 |
| EAN13 | 7428325600614 |
| Tipo | Trifásico |
| Carcasa | 801 |
| Polos | 6 |

INFORMACIÓN FÍSICA

| | |
|----------------|-------------|
| Dimensiones-mm | 320*220*260 |
| Peso-kg | 12 |
| Material | Aluminio |

LOGÍSTICA

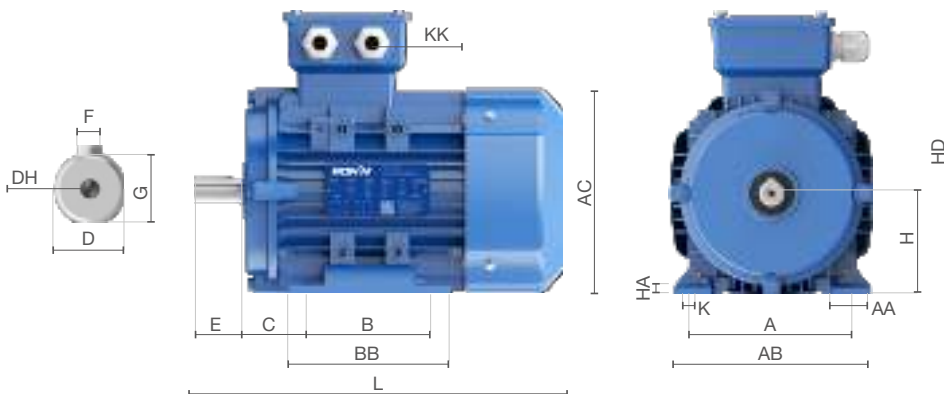
| | |
|----------------------|---------------|
| Material-of-unit-box | carton |
| size-of-unitbox | 320*220*260 |
| size-of-woden-case | 1150*850*1030 |

INFORMACIÓN ELÉCTRICA

| | |
|--------------------------|-----------|
| RPM | 1000RPM |
| Eficiencia (S) | 2 |
| Tensión (V) | 220/380V |
| Hz | 50Hz |
| Factor de Potencia (cos) | 0,71 |
| Potencia-HP | 0,50 |
| Potencia-kW | 0,37 |
| EFF-N | 67,6 |
| Corriente-A | 2/1.2 |
| dBA | 54 |
| Capacitor-UF-monofásicos | No Aplica |
| Aislamiento-ISOL | No Aplica |

CERTIFICACIONES

| | |
|-----------|----------|
| IP | IP55 |
| Norma-IEC | IEC60034 |
| Norma-ISO | ISO9001 |



RON'N[®]

RM-T2-6A-00050-801-23



EFICIENCIA ENERGÉTICA

MÁS EFICIENTE

IE3
IE2
IE1
IE0

IE2

MENOS EFICIENTE

MOTORES TRIFÁSICOS
nº 874 %

Referencia IRAM 62405

Res S'Vc N° 438/24

| | | | | | | | | | | | | | | | | |
|-----|----|-----|-----|-----|-----|-----|----|----|-------|----|---|------|----|-------|-----------|-----|
| A | AA | AB | AC | HD | B | BB | C | D | DH | E | F | G | HA | K | KK | L |
| 125 | 35 | 141 | 157 | 220 | 100 | 125 | 50 | 19 | M6*16 | 40 | 6 | 15.5 | 8 | 10*14 | 2-M25*1.5 | 295 |



MODELO RM-T2-6A-00075-802-23

Trifásicos
Aluminio

1000RPM
6P

HP
0,75

INFORMACIÓN GENERAL

| | |
|---------|-----------------------|
| Sku | RM-T2-6A-00075-802-23 |
| EAN13 | 7428325600621 |
| Tipo | Trifásico |
| Carcasa | 802 |
| Polos | 6 |

INFORMACIÓN FÍSICA

| | |
|----------------|-------------|
| Dimensiones-mm | 320*220*260 |
| Peso-kg | 12,5 |
| Material | Aluminio |

LOGÍSTICA

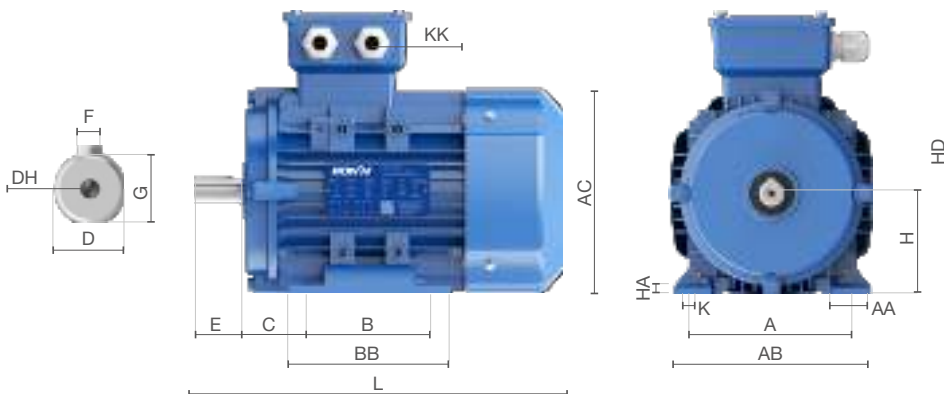
| | |
|----------------------|---------------|
| Material-of-unit-box | carton |
| size-of-unitbox | 320*220*260 |
| size-of-woden-case | 1150*850*1030 |

INFORMACIÓN ELÉCTRICA

| | |
|--------------------------|-----------|
| RPM | 1000RPM |
| Eficiencia (S) | 2 |
| Tensión (V) | 220/380V |
| Hz | 50Hz |
| Factor de Potencia (cos) | 0,71 |
| Potencia-HP | 0,75 |
| Potencia-kW | 0,55 |
| EFF-N | 73,1 |
| Corriente-A | 2.8/1.6 |
| dBA | 54 |
| Capacitor-UF-monofásicos | No Aplica |
| Aislamiento-ISOL | No Aplica |

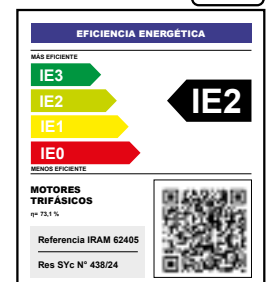
CERTIFICACIONES

| | |
|-----------|----------|
| IP | IP55 |
| Norma-IEC | IEC60034 |
| Norma-ISO | ISO9001 |



RONIN

RM-T2-6A-00075-802-23



| A | AA | AB | AC | HD | B | BB | C | D | DH | E | F | G | HA | K | KK | L |
|-----|----|-----|-----|-----|-----|-----|----|----|-------|----|---|------|----|-------|-----------|-----|
| 125 | 35 | 141 | 157 | 220 | 100 | 125 | 50 | 19 | M6*16 | 40 | 6 | 15.5 | 8 | 10*14 | 2-M25*1.5 | 295 |



MODELO RM-T2-6A-00100-90S-23

Trifásicos
Aluminio

1000RPM
6P

HP
1,00

INFORMACIÓN GENERAL

| | |
|---------|-----------------------|
| Skü | RM-T2-6A-00100-90S-23 |
| EAN13 | 7428325600638 |
| Tipo | Trifásico |
| Carcasa | 90S |
| Polos | 6 |

INFORMACIÓN FÍSICA

| | |
|----------------|-------------|
| Dimensiones-mm | 355*210*270 |
| Peso-kg | 16,5 |
| Material | Aluminio |

LOGÍSTICA

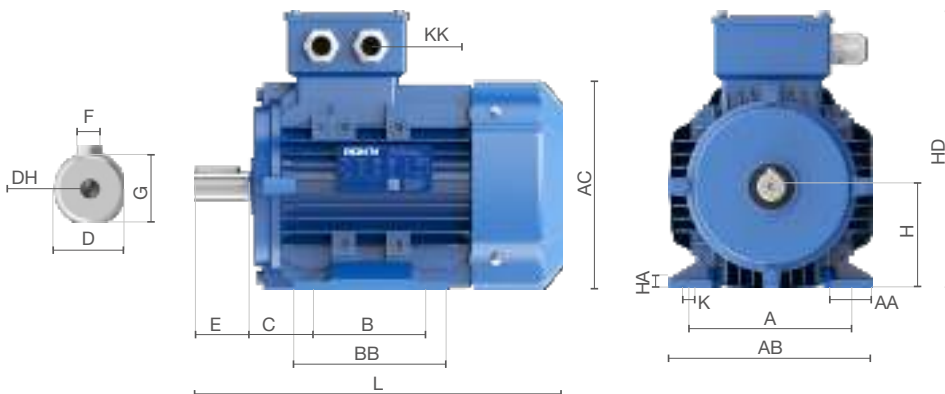
| | |
|----------------------|---------------|
| Material-of-unit-box | carton |
| size-of-unitbox | 355*210*270 |
| size-of-woden-case | 1150*850*1030 |

INFORMACIÓN ELÉCTRICA

| | |
|--------------------------|-----------|
| RPM | 1000RPM |
| Eficiencia (S) | 2 |
| Tensión (V) | 220/380V |
| Hz | 50Hz |
| Factor de Potencia (cos) | 0,71 |
| Potencia-HP | 1,00 |
| Potencia-kW | 0,75 |
| EFF-N | 75,9 |
| Corriente-A | 3.7/2.1 |
| dBA | 57 |
| Capacitor-UF-monofásicos | No Aplica |
| Aislamiento-ISOL | No Aplica |

CERTIFICACIONES

| | |
|-----------|----------|
| IP | IP55 |
| Norma-IEC | IEC60034 |
| Norma-ISO | ISO9001 |



RONIN

RM-T2-6A-00100-90S-23



| | | | | | | | | | | | | | | | | |
|-----|----|-----|-----|-----|-----|-----|----|----|-------|----|---|----|----|-------|-----------|-----|
| A | AA | AB | AC | HD | B | BB | C | D | DH | E | F | G | HA | K | KK | L |
| 140 | 37 | 177 | 177 | 240 | 100 | 125 | 56 | 24 | M8*19 | 50 | 8 | 20 | 10 | 10*14 | 2-M25*1.5 | 327 |



MODELO RM-T2-6A-00150-90L-23

Trifásicos
Aluminio

1000RPM
6P

HP
1,50

INFORMACIÓN GENERAL

| | |
|---------|-----------------------|
| Sku | RM-T2-6A-00150-90L-23 |
| EAN13 | 7428325600645 |
| Tipo | Trifásico |
| Carcasa | 90L |
| Polos | 6 |

INFORMACIÓN FÍSICA

| | |
|----------------|-------------|
| Dimensiones-mm | 380*210*270 |
| Peso-kg | - |
| Material | Aluminio |

LOGÍSTICA

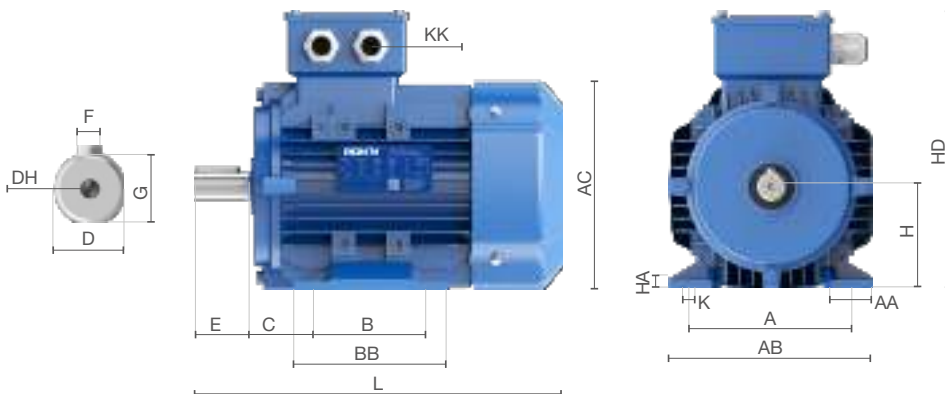
| | |
|----------------------|---------------|
| Material-of-unit-box | carton |
| size-of-unitbox | 1150*850*1290 |
| size-of-woden-case | 1150*850*1290 |

INFORMACIÓN ELÉCTRICA

| | |
|--------------------------|-----------|
| RPM | 1000RPM |
| Eficiencia (S) | 2 |
| Tensión (V) | 220/380V |
| Hz | 50Hz |
| Factor de Potencia (cos) | 0,72 |
| Potencia-HP | 1,50 |
| Potencia-kW | 1,10 |
| EFF-N | 78,1 |
| Corriente-A | 5.1/3 |
| dBA | 57 |
| Capacitor-UF-monofásicos | No Aplica |
| Aislamiento-ISOL | No Aplica |

CERTIFICACIONES

| | |
|-----------|----------|
| IP | IP55 |
| Norma-IEC | IEC60034 |
| Norma-ISO | ISO9001 |



RONIN[®]
RM-T2-6A-00150-90L-23

EFICIENCIA ENERGÉTICA

MÁS EFICIENTE

IE3

IE2

IE1

IE0

MEJORES EFICIENTE

MOTORES TRIFÁSICOS
η = 78,1 %

Referencia IRAM 62405

Res SYc N° 438/24

| | | | | | | | | | | | | | | | | |
|-----|----|-----|-----|-----|-----|-----|----|----|-------|----|---|----|----|-------|-----------|-----|
| A | AA | AB | AC | HD | B | BB | C | D | DH | E | F | G | HA | K | KK | L |
| 140 | 37 | 177 | 177 | 240 | 100 | 125 | 56 | 24 | M8*19 | 50 | 8 | 20 | 10 | 10*14 | 2-M25*1.5 | 327 |



MODELO RM-T2-6A-00200-100-23

Trifásicos
Aluminio

1000RPM
6P

HP
2,00

INFORMACIÓN GENERAL

| | |
|---------|-----------------------|
| Skü | RM-T2-6A-00200-100-23 |
| EAN13 | 7428325600652 |
| Tipo | Trifásico |
| Carcasa | 100L |
| Polos | 6 |

INFORMACIÓN FÍSICA

| | |
|----------------|-------------|
| Dimensiones-mm | 405*230*295 |
| Peso-kg | - |
| Material | Aluminio |

LOGÍSTICA

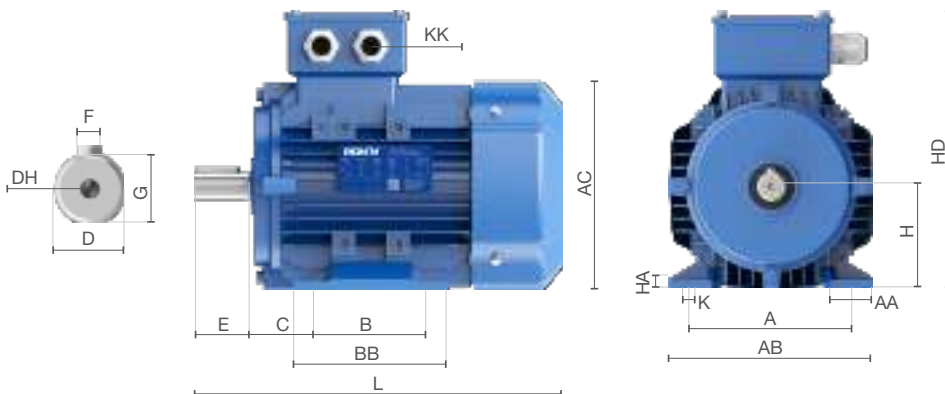
| | |
|----------------------|---------------|
| Material-of-unit-box | carton |
| size-of-unitbox | 1150*820*1140 |
| size-of-woden-case | 1150*820*1140 |

INFORMACIÓN ELÉCTRICA

| | |
|--------------------------|-----------|
| RPM | 1000RPM |
| Eficiencia (S) | 2 |
| Tensión (V) | 220/380V |
| Hz | 50Hz |
| Factor de Potencia (cos) | 0,72 |
| Potencia-HP | 2,00 |
| Potencia-kW | 1,50 |
| EFF-N | 79,8 |
| Corriente-A | 6.9/4 |
| dBA | 61 |
| Capacitor-UF-monofásicos | No Aplica |
| Aislamiento-ISOL | No Aplica |

CERTIFICACIONES

| | |
|-----------|----------|
| IP | IP55 |
| Norma-IEC | IEC60034 |
| Norma-ISO | ISO9001 |



RONIN
RM-T2-6A-00200-100-23



| A | AA | AB | AC | HD | B | BB | C | D | DH | E | F | G | HA | K | KK | L |
|-----|----|-----|-----|-----|-----|-----|----|----|--------|----|---|----|----|-------|-----------|-----|
| 160 | 40 | 196 | 197 | 267 | 140 | 172 | 63 | 28 | M10*22 | 60 | 8 | 24 | 11 | 12*16 | 2-M32*1.5 | 403 |



MODELO RM-T2-6A-00300-112-23

Trifásicos
Aluminio

1000RPM
6P

HP
3,00

INFORMACIÓN GENERAL

| | |
|---------|-----------------------|
| Sku | RM-T2-6A-00300-112-23 |
| EAN13 | 7428325600669 |
| Tipo | Trifásico |
| Carcasa | 112M |
| Polos | 6 |

INFORMACIÓN FÍSICA

| | |
|----------------|-------------|
| Dimensiones-mm | 420*245*310 |
| Peso-kg | - |
| Material | Aluminio |

LOGÍSTICA

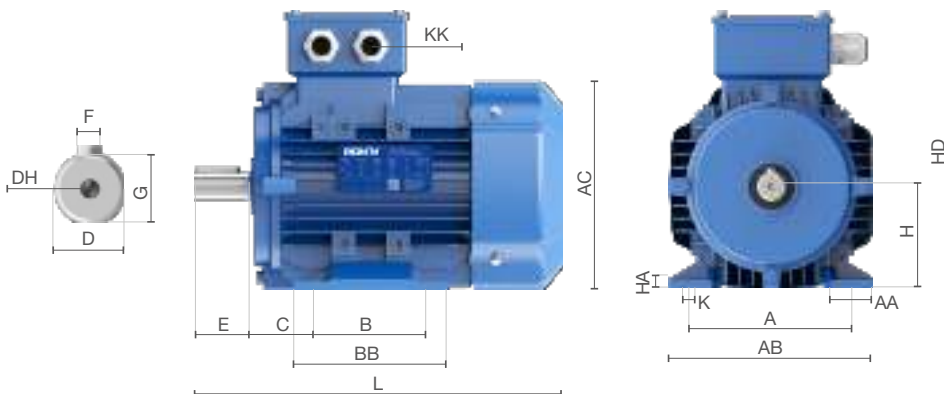
| | |
|----------------------|---------------|
| Material-of-unit-box | carton |
| size-of-unitbox | 1112*992*1222 |
| size-of-woden-case | 1112*992*1222 |

INFORMACIÓN ELÉCTRICA

| | |
|--------------------------|-----------|
| RPM | 1000RPM |
| Eficiencia (S) | 2 |
| Tensión (V) | 220/380V |
| Hz | 50Hz |
| Factor de Potencia (cos) | 0,72 |
| Potencia-HP | 3,00 |
| Potencia-kW | 2,20 |
| EFF-N | 81,8 |
| Corriente-A | 9.8/5.7 |
| dBA | 65 |
| Capacitor-UF-monofásicos | No Aplica |
| Aislamiento-ISOL | No Aplica |

CERTIFICACIONES

| | |
|-----------|----------|
| IP | IP55 |
| Norma-IEC | IEC60034 |
| Norma-ISO | ISO9001 |



RM-T2-6A-00300-112-23



| A | AA | AB | AC | HD | B | BB | C | D | DH | E | F | G | HA | K | KK | L |
|-----|----|-----|-----|-----|-----|-----|----|----|--------|----|---|----|----|-------|-----------|-----|
| 190 | 41 | 226 | 219 | 289 | 140 | 180 | 70 | 28 | M10*22 | 60 | 8 | 24 | 12 | 12*16 | 2-M32*1.5 | 430 |



MODELO RM-T2-6A-00400-132-23

Trifásicos
Aluminio

1000RPM
6P

HP
4,00

INFORMACIÓN GENERAL

| | |
|---------|-----------------------|
| Sku | RM-T2-6A-00400-132-23 |
| EAN13 | 7428325600676 |
| Tipo | Trifásico |
| Carcasa | 132S |
| Polos | 6 |

INFORMACIÓN FÍSICA

| | |
|----------------|-------------|
| Dimensiones-mm | 500*290*340 |
| Peso-kg | - |
| Material | Aluminio |

LOGÍSTICA

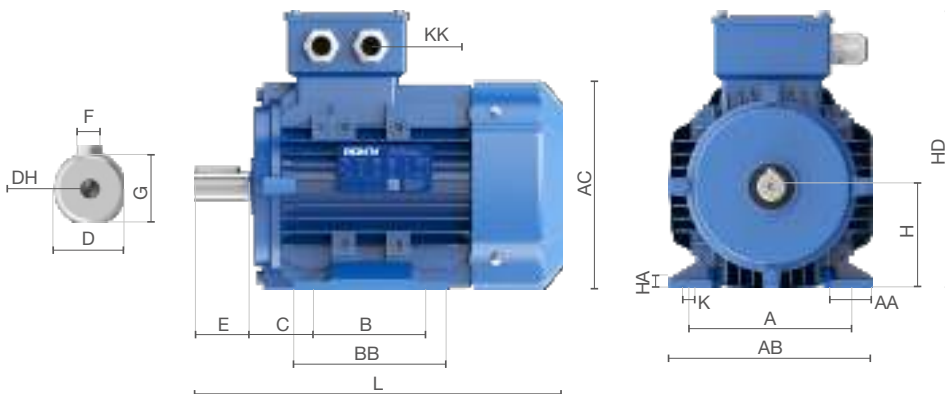
| | |
|----------------------|---------------|
| Material-of-unit-box | carton |
| size-of-unitbox | 1142*712*1372 |
| size-of-woden-case | 1142*712*1372 |

INFORMACIÓN ELÉCTRICA

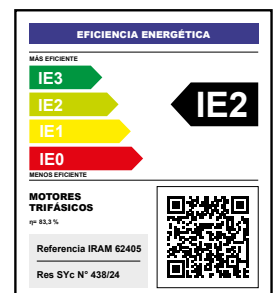
| | |
|--------------------------|-----------|
| RPM | 1000RPM |
| Eficiencia (S) | 2 |
| Tensión (V) | 220/380V |
| Hz | 50Hz |
| Factor de Potencia (cos) | 0,72 |
| Potencia-HP | 4,00 |
| Potencia-kW | 3,00 |
| EFF-N | 83,3 |
| Corriente-A | 13.1/7.6 |
| dBA | 69 |
| Capacitor-UF-monofásicos | No Aplica |
| Aislamiento-ISOL | No Aplica |

CERTIFICACIONES

| | |
|-----------|----------|
| IP | IP55 |
| Norma-IEC | IEC60034 |
| Norma-ISO | ISO9001 |



RONIN
RM-T2-6A-00400-132-23



| A | AA | AB | AC | HD | B | BB | C | D | DH | E | F | G | HA | K | KK | L |
|-----|----|-----|-----|-----|-----|-----|----|----|--------|----|----|----|----|-------|-----------|-----|
| 216 | 51 | 260 | 258 | 328 | 140 | 186 | 89 | 38 | M12*28 | 80 | 10 | 33 | 15 | 12*16 | 2-M32*1.5 | 460 |



MODELO RM-T2-6A-00550-132-36

Trifásicos
Aluminio

1000RPM
6P

HP
5,50

INFORMACIÓN GENERAL

| | |
|---------|-----------------------|
| Sku | RM-T2-6A-00550-132-36 |
| EAN13 | 7428325600683 |
| Tipo | Trifásico |
| Carcasa | 132M1 |
| Polos | 6 |

INFORMACIÓN FÍSICA

| | |
|----------------|-------------|
| Dimensiones-mm | 540*290*340 |
| Peso-kg | - |
| Material | Aluminio |

LOGÍSTICA

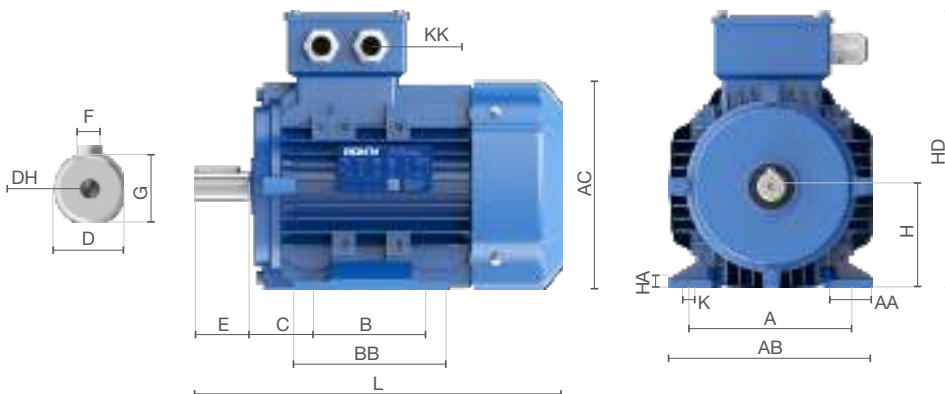
| | |
|----------------------|---------------|
| Material-of-unit-box | carton |
| size-of-unitbox | 1142*712*1372 |
| size-of-woden-case | 1142*712*1372 |

INFORMACIÓN ELÉCTRICA

| | |
|--------------------------|-----------|
| RPM | 1000RPM |
| Eficiencia (S) | 2 |
| Tensión (V) | 380/660V |
| Hz | 50Hz |
| Factor de Potencia (cos) | 0,74 |
| Potencia-HP | 5,50 |
| Potencia-kW | 4,00 |
| EFF-N | 84,6 |
| Corriente-A | 9.7/5.6 |
| dBA | 69 |
| Capacitor-UF-monofásicos | No Aplica |
| Aislamiento-ISOL | No Aplica |

CERTIFICACIONES

| | |
|-----------|----------|
| IP | IP55 |
| Norma-IEC | IEC60034 |
| Norma-ISO | ISO9001 |



RONIN[®]
RM-T2-6A-00550-132-36



| A | AA | AB | AC | HD | B | BB | C | D | DH | E | F | G | HA | K | KK | L |
|-----|----|-----|-----|-----|-----|-----|----|----|--------|----|----|----|----|-------|-----------|-----|
| 216 | 51 | 260 | 258 | 328 | 178 | 224 | 89 | 38 | M16*36 | 80 | 10 | 33 | 15 | 12*16 | 2-M32*1.5 | 499 |



MODELO RM-T2-6A-00750-132-36

Trifásicos
Aluminio

1000RPM
6P

HP
7,50

INFORMACIÓN GENERAL

| | |
|---------|-----------------------|
| Sku | RM-T2-6A-00750-132-36 |
| EAN13 | 7428325600690 |
| Tipo | Trifásico |
| Carcasa | 132M2 |
| Polos | 6 |

INFORMACIÓN FÍSICA

| | |
|----------------|-------------|
| Dimensiones-mm | 540*310*340 |
| Peso-kg | - |
| Material | Aluminio |

LOGÍSTICA

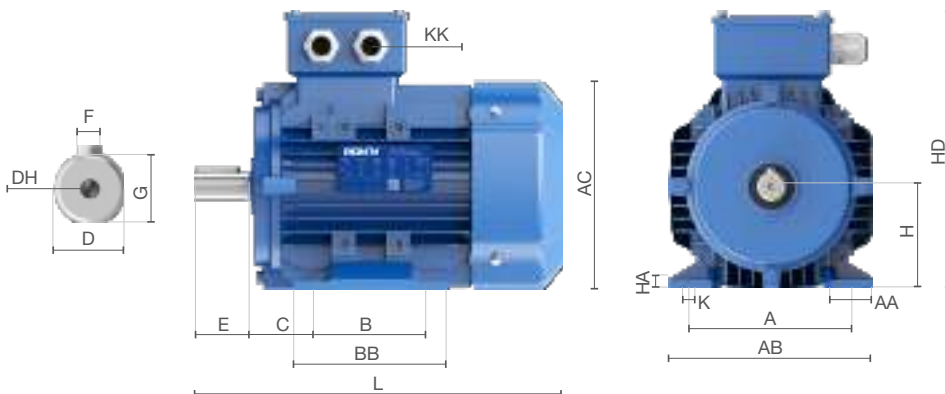
| | |
|----------------------|---------------|
| Material-of-unit-box | carton |
| size-of-unitbox | 1142*712*1372 |
| size-of-woden-case | 1142*712*1372 |

INFORMACIÓN ELÉCTRICA

| | |
|--------------------------|-----------|
| RPM | 1000RPM |
| Eficiencia (S) | 2 |
| Tensión (V) | 380/660V |
| Hz | 50Hz |
| Factor de Potencia (cos) | 0,75 |
| Potencia-HP | 7,50 |
| Potencia-kW | 5,50 |
| EFF-N | 86,0 |
| Corriente-A | 13/7.5 |
| dBA | 69 |
| Capacitor-UF-monofásicos | No Aplica |
| Aislamiento-ISOL | No Aplica |

CERTIFICACIONES

| | |
|-----------|----------|
| IP | IP55 |
| Norma-IEC | IEC60034 |
| Norma-ISO | ISO9001 |



RONIN[®]
RM-T2-6A-00750-132-36

EFICIENCIA ENERGÉTICA

MÁS EFICIENTE

IE3

IE2

IE1

IE0

MENOS EFICIENTE

IE2

MOTORES TRIFÁSICOS
η = 86,0 %

Referencia IRAM 62405

Res SYc N° 438/24

| A | AA | AB | AC | HD | B | BB | C | D | DH | E | F | G | HA | K | KK | L |
|-----|----|-----|-----|-----|-----|-----|----|----|--------|----|----|----|----|-------|-----------|-----|
| 216 | 51 | 260 | 258 | 328 | 178 | 224 | 89 | 38 | M16*36 | 80 | 10 | 33 | 15 | 12*16 | 2-M32*1.5 | 499 |



MODELO RM-T2-2F-00100-80M-23

Trifásicos
Hierro

3000RPM
2P

HP
1,00

INFORMACIÓN GENERAL

| | |
|---------|-----------------------|
| Sku | RM-T2-2F-00100-80M-23 |
| EAN13 | 7428325600706 |
| Tipo | Trifásico |
| Carcasa | 80M1 |
| Polos | 2 |

INFORMACIÓN FÍSICA

| | |
|----------------|-------------|
| Dimensiones-mm | 320*220*260 |
| Peso-kg | - |
| Material | Hierro |

LOGÍSTICA

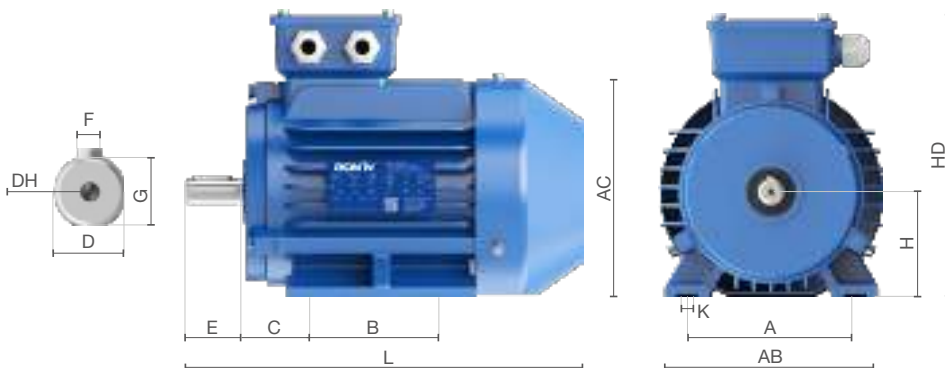
| | |
|----------------------|---------------|
| Material-of-unit-box | carton |
| size-of-unitbox | 1150*850*1030 |
| size-of-woden-case | 1150*850*1030 |

INFORMACIÓN ELÉCTRICA

| | |
|--------------------------|-----------|
| RPM | 3000RPM |
| Eficiencia (S) | 2 |
| Tensión (V) | 220/380V |
| Hz | 50Hz |
| Factor de Potencia (cos) | 0,82 |
| Potencia-HP | 1,00 |
| Potencia-kW | 0,75 |
| EFF-N | 77,4 |
| Corriente-A | 3.1/1.8 |
| dBA | 62 |
| Capacitor-UF-monofásicos | No Aplica |
| Aislamiento-ISOL | No Aplica |

CERTIFICACIONES

| | |
|-----------|----------|
| IP | IP55 |
| Norma-IEC | IEC60034 |
| Norma-ISO | ISO9001 |



RONIN
RM-T2-2F-00100-80M-23



| A | A/2 | B | C | D | E | F | G | H | K | AB | AC | HD | L | DH |
|-----|------|-----|----|----|----|---|------|----|----|-----|-----|-----|-----|-------|
| 125 | 62.5 | 100 | 50 | 19 | 40 | 6 | 15.5 | 80 | 10 | 153 | 157 | 220 | 295 | M6X16 |



MODELO RM-T2-2F-00150-80M-23

Trifásicos
Hierro

3000RPM
2P

HP
1,50

INFORMACIÓN GENERAL

| | |
|---------|-----------------------|
| Sku | RM-T2-2F-00150-80M-23 |
| EAN13 | 7428325600713 |
| Tipo | Trifásico |
| Carcasa | 80M2 |
| Polos | 2 |

INFORMACIÓN FÍSICA

| | |
|----------------|-------------|
| Dimensiones-mm | 320*220*260 |
| Peso-kg | 16 |
| Material | Hierro |

LOGÍSTICA

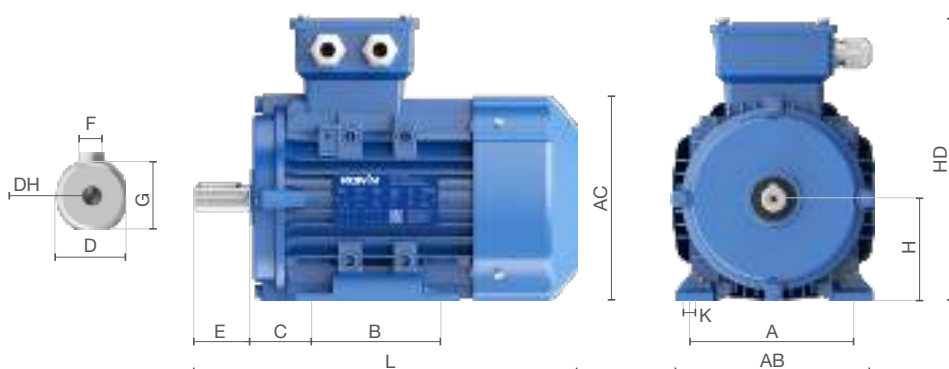
| | |
|----------------------|---------------|
| Material-of-unit-box | carton |
| size-of-unitbox | 320*220*260 |
| size-of-woden-case | 1150*850*1030 |

INFORMACIÓN ELÉCTRICA

| | |
|--------------------------|-----------|
| RPM | 3000RPM |
| Eficiencia (S) | 2 |
| Tensión (V) | 220/380V |
| Hz | 50Hz |
| Factor de Potencia (cos) | 0,83 |
| Potencia-HP | 1,50 |
| Potencia-kW | 1,10 |
| EFF-N | 79,6 |
| Corriente-A | 4,4/2,5 |
| dBA | 62 |
| Capacitor-UF-monofásicos | No Aplica |
| Aislamiento-ISOL | No Aplica |

CERTIFICACIONES

| | |
|-----------|----------|
| IP | IP55 |
| Norma-IEC | IEC60034 |
| Norma-ISO | ISO9001 |



RONIN
RM-T2-2F-00150-80M-23



| A | A/2 | B | C | D | E | F | G | H | K | AB | AC | HD | L | DH |
|-----|------|-----|----|----|----|---|------|----|----|-----|-----|-----|-----|-------|
| 125 | 62.5 | 100 | 50 | 19 | 40 | 6 | 15.5 | 80 | 10 | 153 | 157 | 220 | 295 | M6X16 |



MODELO RM-T2-2F-00200-90S-23

Trifásicos
Hierro

3000RPM
2P

HP
2,00

INFORMACIÓN GENERAL

| | |
|---------|-----------------------|
| Sku | RM-T2-2F-00200-90S-23 |
| EAN13 | 7428325600720 |
| Tipo | Trifásico |
| Carcasa | 90S |
| Polos | 2 |

INFORMACIÓN FÍSICA

| | |
|----------------|-------------|
| Dimensiones-mm | 355*210*260 |
| Peso-kg | 21 |
| Material | Hierro |

LOGÍSTICA

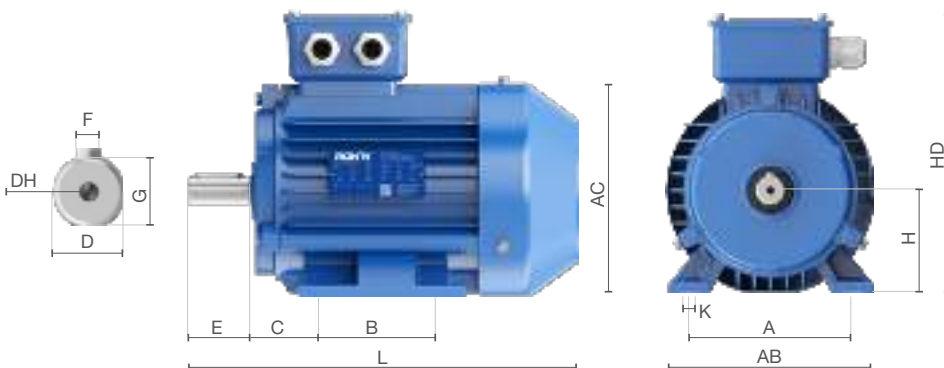
| | |
|----------------------|---------------|
| Material-of-unit-box | carton |
| size-of-unitbox | 355*210*260 |
| size-of-woden-case | 1150*850*1030 |

INFORMACIÓN ELÉCTRICA

| | |
|--------------------------|-----------|
| RPM | 3000RPM |
| Eficiencia (S) | 2 |
| Tensión (V) | 220/380V |
| Hz | 50Hz |
| Factor de Potencia (cos) | 0,84 |
| Potencia-HP | 2,00 |
| Potencia-kW | 1,50 |
| EFF-N | 81,3 |
| Corriente-A | 5.8/3.3 |
| dBA | 67 |
| Capacitor-UF-monofásicos | No Aplica |
| Aislamiento-ISOL | No Aplica |

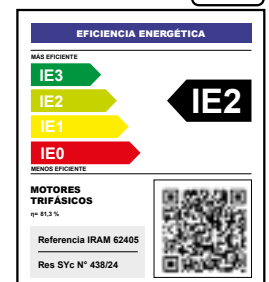
CERTIFICACIONES

| | |
|-----------|----------|
| IP | IP55 |
| Norma-IEC | IEC60034 |
| Norma-ISO | ISO9001 |



RONIN

RM-T2-2F-00200-90S-23



| A | A/2 | B | C | D | E | F | G | H | K | AB | AC | HD | L | DH |
|-----|-----|-----|----|----|----|---|----|----|----|-----|-----|-----|-----|-------|
| 140 | 70 | 100 | 56 | 24 | 50 | 8 | 20 | 90 | 10 | 177 | 177 | 240 | 327 | M8X19 |



MODELO RM-T2-2F-00300-90L-23

Trifásicos
Hierro

3000RPM
2P

HP
3,00

INFORMACIÓN GENERAL

| | |
|---------|-----------------------|
| Sku | RM-T2-2F-00300-90L-23 |
| EAN13 | 7428325600737 |
| Tipo | Trifásico |
| Carcasa | 90L |
| Polos | 2 |

INFORMACIÓN FÍSICA

| | |
|----------------|-------------|
| Dimensiones-mm | 380*210*260 |
| Peso-kg | 24 |
| Material | Hierro |

LOGÍSTICA

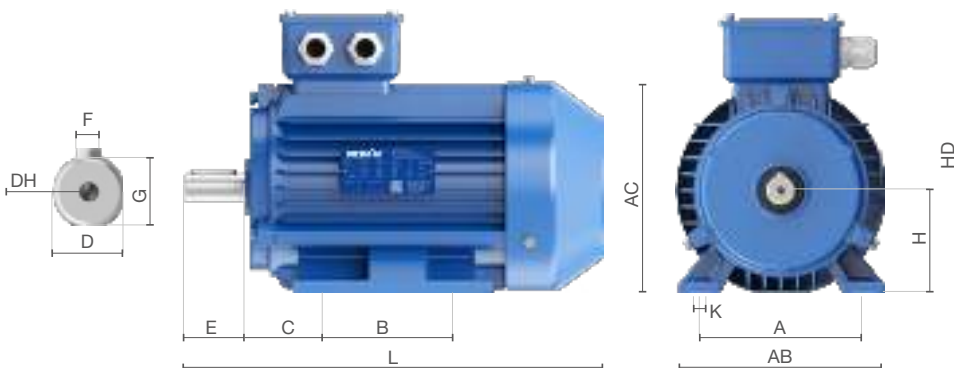
| | |
|----------------------|---------------|
| Material-of-unit-box | carton |
| size-of-unitbox | 380*210*260 |
| size-of-woden-case | 1150*850*1290 |

INFORMACIÓN ELÉCTRICA

| | |
|--------------------------|-----------|
| RPM | 3000RPM |
| Eficiencia (S) | 2 |
| Tensión (V) | 220/380V |
| Hz | 50Hz |
| Factor de Potencia (cos) | 0,85 |
| Potencia-HP | 3,00 |
| Potencia-kW | 2,20 |
| EFF-N | 83,2 |
| Corriente-A | 8.2/4.7 |
| dBA | 67 |
| Capacitor-UF-monofásicos | No Aplica |
| Aislamiento-ISOL | No Aplica |

CERTIFICACIONES

| | |
|-----------|----------|
| IP | IP55 |
| Norma-IEC | IEC60034 |
| Norma-ISO | ISO9001 |



RONIN

RM-T2-2F-00300-90L-23



| A | A/2 | B | C | D | E | F | G | H | K | AB | AC | HD | L | DH |
|-----|-----|-----|----|----|----|---|----|----|----|-----|-----|-----|-----|-------|
| 140 | 70 | 125 | 56 | 24 | 50 | 8 | 20 | 90 | 10 | 177 | 177 | 240 | 357 | M8X19 |



MODELO RM-T2-2F-00400-100-23

Trifásicos
Hierro

3000RPM
2P

HP
4,00

INFORMACIÓN GENERAL

| | |
|---------|-----------------------|
| Sku | RM-T2-2F-00400-100-23 |
| EAN13 | 7428325600744 |
| Tipo | Trifásico |
| Carcasa | 100L |
| Polos | 2 |

INFORMACIÓN FÍSICA

| | |
|----------------|-------------|
| Dimensiones-mm | 405*230*295 |
| Peso-kg | 32 |
| Material | Hierro |

LOGÍSTICA

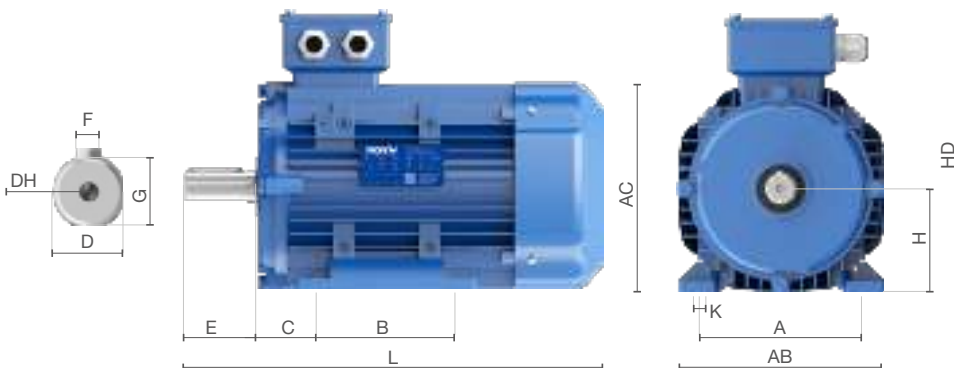
| | |
|----------------------|---------------|
| Material-of-unit-box | carton |
| size-of-unitbox | 405*230*295 |
| size-of-woden-case | 1150*820*1140 |

INFORMACIÓN ELÉCTRICA

| | |
|--------------------------|-----------|
| RPM | 3000RPM |
| Eficiencia (S) | 2 |
| Tensión (V) | 220/380V |
| Hz | 50Hz |
| Factor de Potencia (cos) | 0,87 |
| Potencia-HP | 4,00 |
| Potencia-kW | 3,00 |
| EFF-N | 84,6 |
| Corriente-A | 10.7/6.2 |
| dBA | 74 |
| Capacitor-UF-monofásicos | No Aplica |
| Aislamiento-ISOL | No Aplica |

CERTIFICACIONES

| | |
|-----------|----------|
| IP | IP55 |
| Norma-IEC | IEC60034 |
| Norma-ISO | ISO9001 |



RONIN

RM-T2-2F-00400-100-23



| A | A/2 | B | C | D | E | F | G | H | K | AB | AC | HD | L | DH |
|-----|-----|-----|----|----|----|---|----|----|----|-----|-----|-----|-----|--------|
| 160 | 80 | 140 | 63 | 28 | 60 | 8 | 24 | 10 | 12 | 196 | 197 | 267 | 403 | M10X22 |



MODELO RM-T2-2F-00550-112-36

Trifásicos
Hierro

3000RPM
2P

HP
5,50

INFORMACIÓN GENERAL

| | |
|---------|-----------------------|
| Sku | RM-T2-2F-00550-112-36 |
| EAN13 | 7428325600751 |
| Tipo | Trifásico |
| Carcasa | 112M |
| Polos | 2 |

INFORMACIÓN FÍSICA

| | |
|----------------|-------------|
| Dimensiones-mm | 420*245*310 |
| Peso-kg | 38 |
| Material | Hierro |

LOGÍSTICA

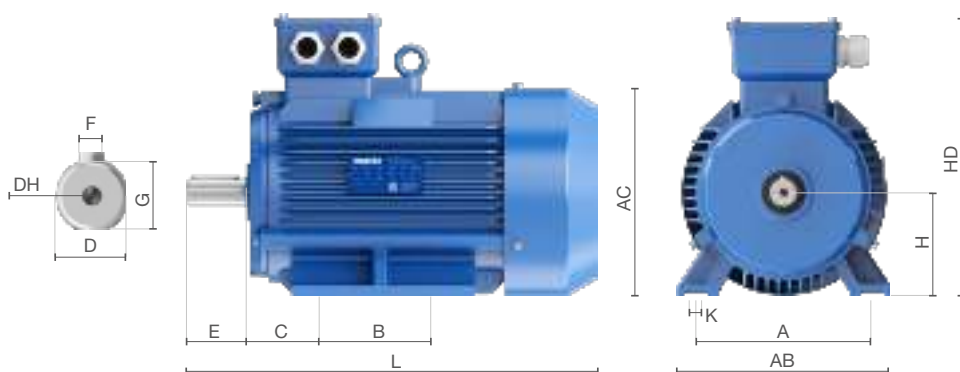
| | |
|----------------------|---------------|
| Material-of-unit-box | carton |
| size-of-unitbox | 420*245*310 |
| size-of-woden-case | 1112*992*1222 |

INFORMACIÓN ELÉCTRICA

| | |
|--------------------------|-----------|
| RPM | 3000RPM |
| Eficiencia (S) | 2 |
| Tensión (V) | 380/660V |
| Hz | 50Hz |
| Factor de Potencia (cos) | 0,88 |
| Potencia-HP | 5,50 |
| Potencia-kW | 4,00 |
| EFF-N | 85,8 |
| Corriente-A | 8/4.6 |
| dBA | 77 |
| Capacitor-UF-monofásicos | No Aplica |
| Aislamiento-ISOL | No Aplica |

CERTIFICACIONES

| | |
|-----------|----------|
| IP | IP55 |
| Norma-IEC | IEC60034 |
| Norma-ISO | ISO9001 |



RONIN
RM-T2-2F-00550-112-36



| A | A/2 | B | C | D | E | F | G | H | K | AB | AC | HD | L | DH |
|-----|-----|-----|----|----|----|---|----|-----|----|-----|-----|-----|-----|--------|
| 190 | 95 | 140 | 70 | 28 | 60 | 8 | 24 | 112 | 12 | 226 | 219 | 289 | 430 | M10X22 |



MODELO RM-T2-2F-00750-132-36

Trifásicos
Hierro

3000RPM
2P

HP
7,50

INFORMACIÓN GENERAL

| | |
|---------|-----------------------|
| Sku | RM-T2-2F-00750-132-36 |
| EAN13 | 7428325600768 |
| Tipo | Trifásico |
| Carcasa | 132S1 |
| Polos | 2 |

INFORMACIÓN FÍSICA

| | |
|----------------|-------------|
| Dimensiones-mm | 530*330*400 |
| Peso-kg | 64 |
| Material | Hierro |

LOGÍSTICA

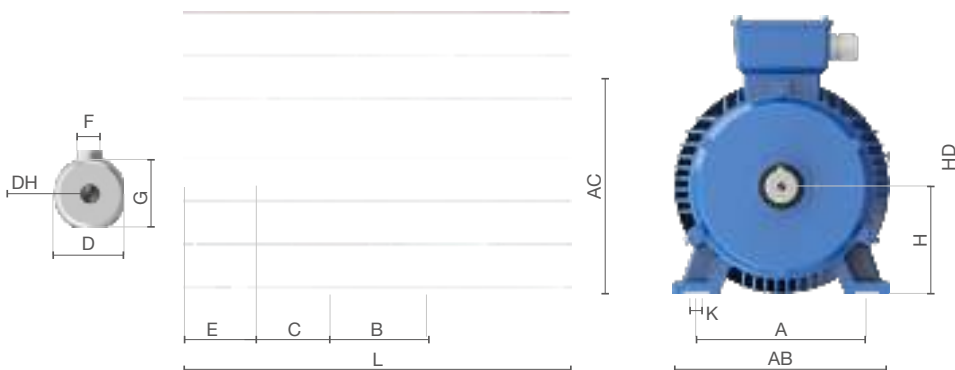
| | |
|----------------------|----------------|
| Material-of-unit-box | wooden case |
| size-of-unitbox | 530*330*400 |
| size-of-woden-case | 1150*1000*1340 |

INFORMACIÓN ELÉCTRICA

| | |
|--------------------------|-----------|
| RPM | 3000RPM |
| Eficiencia (S) | 2 |
| Tensión (V) | 380/660V |
| Hz | 50Hz |
| Factor de Potencia (cos) | 0,88 |
| Potencia-HP | 7,50 |
| Potencia-kW | 5,50 |
| EFF-N | 87,0 |
| Corriente-A | 10.9/6.3 |
| dBA | 79 |
| Capacitor-UF-monofásicos | No Aplica |
| Aislamiento-ISOL | No Aplica |

CERTIFICACIONES

| | |
|-----------|----------|
| IP | IP55 |
| Norma-IEC | IEC60034 |
| Norma-ISO | ISO9001 |



RONIN

RM-T2-2F-00750-132-36



| A | A/2 | B | C | D | E | F | G | H | K | AB | AC | HD | L | DH |
|-----|-----|-----|----|----|----|----|----|-----|----|-----|-----|-----|-----|--------|
| 216 | 108 | 140 | 89 | 38 | 80 | 10 | 33 | 132 | 12 | 260 | 258 | 328 | 460 | M12X28 |



MODELO RM-T2-2F-01000-132-36

Trifásicos
Hierro

3000RPM
2P

HP
10,00

INFORMACIÓN GENERAL

| | |
|---------|-----------------------|
| Skü | RM-T2-2F-01000-132-36 |
| EAN13 | 7428325600775 |
| Tipo | Trifásico |
| Carcasa | 132S2 |
| Polos | 2 |

INFORMACIÓN FÍSICA

| | |
|----------------|-------------|
| Dimensiones-mm | 530*330*400 |
| Peso-kg | 70 |
| Material | Hierro |

LOGÍSTICA

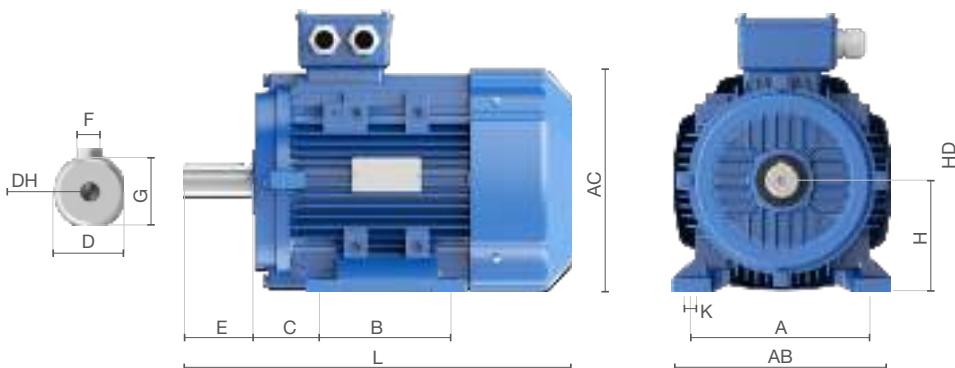
| | |
|----------------------|----------------|
| Material-of-unit-box | wooden case |
| size-of-unitbox | 530*330*400 |
| size-of-woden-case | 1150*1000*1340 |

INFORMACIÓN ELÉCTRICA

| | |
|--------------------------|-----------|
| RPM | 3000RPM |
| Eficiencia (S) | 2 |
| Tensión (V) | 380/660V |
| Hz | 50Hz |
| Factor de Potencia (cos) | 0,89 |
| Potencia-HP | 10,00 |
| Potencia-kW | 7,50 |
| EFF-N | 88,1 |
| Corriente-A | 14.5/8.4 |
| dBA | 79 |
| Capacitor-UF-monofásicos | No Aplica |
| Aislamiento-ISOL | No Aplica |

CERTIFICACIONES

| | |
|-----------|----------|
| IP | IP55 |
| Norma-IEC | IEC60034 |
| Norma-ISO | ISO9001 |



RM-T2-2F-01000-132-36



| A | A/2 | B | C | D | E | F | G | H | K | AB | AC | HD | L | DH |
|-----|-----|-----|----|----|----|----|----|-----|----|-----|-----|-----|-----|--------|
| 216 | 108 | 140 | 89 | 38 | 80 | 10 | 33 | 132 | 12 | 260 | 258 | 328 | 460 | M12X28 |



MODELO RM-T2-2F-01500-160-36

Trifásicos
Hierro

3000RPM
2P

HP
15,00

INFORMACIÓN GENERAL

| | |
|---------|-----------------------|
| Sku | RM-T2-2F-01500-160-36 |
| EAN13 | 7428325600782 |
| Tipo | Trifásico |
| Carcasa | 160M1 |
| Polos | 2 |

INFORMACIÓN FÍSICA

| | |
|----------------|-------------|
| Dimensiones-mm | 700*420*550 |
| Peso-kg | 116 |
| Material | Hierro |

LOGÍSTICA

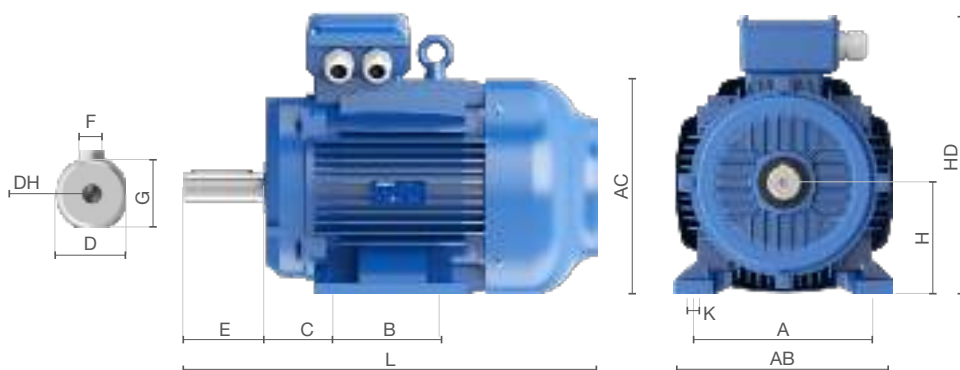
| | |
|----------------------|-------------|
| Material-of-unit-box | wooden case |
| size-of-unitbox | 700*420*550 |
| size-of-woden-case | 700*420*550 |

INFORMACIÓN ELÉCTRICA

| | |
|--------------------------|-----------|
| RPM | 3000RPM |
| Eficiencia (S) | 2 |
| Tensión (V) | 380/660V |
| Hz | 50Hz |
| Factor de Potencia (cos) | 0,89 |
| Potencia-HP | 15,00 |
| Potencia-kW | 11,00 |
| EFF-N | 89,4 |
| Corriente-A | 21/12.1 |
| dBA | 81 |
| Capacitor-UF-monofásicos | No Aplica |
| Aislamiento-ISOL | No Aplica |

CERTIFICACIONES

| | |
|-----------|----------|
| IP | IP55 |
| Norma-IEC | IEC60034 |
| Norma-ISO | ISO9001 |



RM-T2-2F-01500-160-36



| A | A/2 | B | C | D | E | F | G | H | K | AB | AC | HD | L | DH |
|-----|-----|-----|-----|----|-----|----|----|-----|----|-----|-----|-----|-----|--------|
| 254 | 127 | 210 | 108 | 42 | 110 | 12 | 37 | 160 | 15 | 314 | 314 | 415 | 615 | M16X36 |



MODELO RM-T2-2F-02000-160-36

Trifásicos
Hierro

3000RPM
2P

HP
20,00

INFORMACIÓN GENERAL

| | |
|---------|-----------------------|
| Sku | RM-T2-2F-02000-160-36 |
| EAN13 | 7428325600799 |
| Tipo | Trifásico |
| Carcasa | 160M2 |
| Polos | 2 |

INFORMACIÓN FÍSICA

| | |
|----------------|-------------|
| Dimensiones-mm | 700*420*550 |
| Peso-kg | 123 |
| Material | Hierro |

LOGÍSTICA

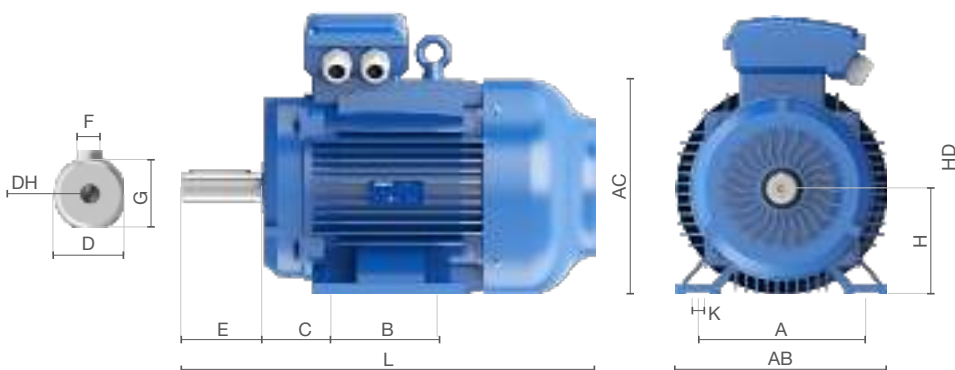
| | |
|----------------------|-------------|
| Material-of-unit-box | wooden case |
| size-of-unitbox | 700*420*550 |
| size-of-woden-case | 700*420*550 |

INFORMACIÓN ELÉCTRICA

| | |
|--------------------------|-----------|
| RPM | 3000RPM |
| Eficiencia (S) | 2 |
| Tensión (V) | 380/660V |
| Hz | 50Hz |
| Factor de Potencia (cos) | 0,89 |
| Potencia-HP | 20,00 |
| Potencia-kW | 15,00 |
| EFF-N | 90,3 |
| Corriente-A | 28.4/16.3 |
| dBA | 81 |
| Capacitor-UF-monofásicos | No Aplica |
| Aislamiento-ISOL | No Aplica |

CERTIFICACIONES

| | |
|-----------|----------|
| IP | IP55 |
| Norma-IEC | IEC60034 |
| Norma-ISO | ISO9001 |



RM-T2-2F-02000-160-36



| A | A/2 | B | C | D | E | F | G | H | K | AB | AC | HD | L | DH |
|-----|-----|-----|-----|----|-----|----|----|-----|----|-----|-----|-----|-----|--------|
| 254 | 127 | 210 | 108 | 42 | 110 | 12 | 37 | 160 | 15 | 314 | 314 | 415 | 615 | M16X36 |



MODELO RM-T2-2F-02500-160-36

Trifásicos
Hierro

3000RPM
2P

HP
25,00

INFORMACIÓN GENERAL

| | |
|---------|-----------------------|
| Skü | RM-T2-2F-02500-160-36 |
| EAN13 | 7428325600805 |
| Tipo | Trifásico |
| Carcasa | 160L |
| Polos | 2 |

INFORMACIÓN FÍSICA

| | |
|----------------|-------------|
| Dimensiones-mm | 740*420*550 |
| Peso-kg | 140 |
| Material | Hierro |

LOGÍSTICA

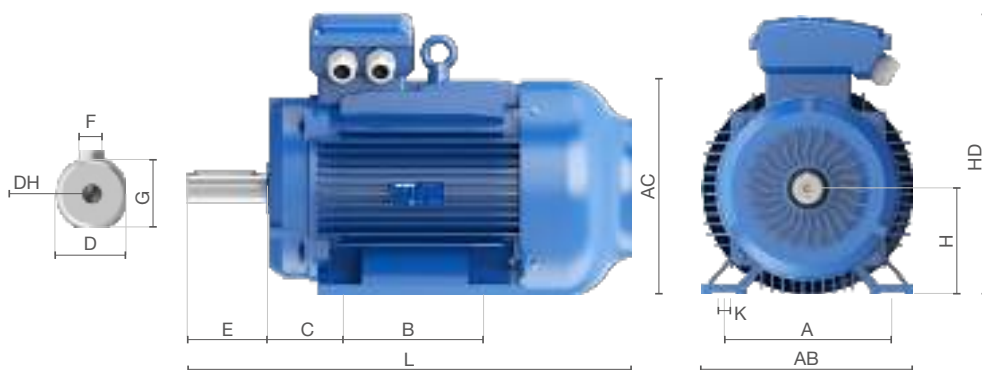
| | |
|----------------------|-------------|
| Material-of-unit-box | wooden case |
| size-of-unitbox | 740*420*550 |
| size-of-woden-case | 740*420*550 |

INFORMACIÓN ELÉCTRICA

| | |
|--------------------------|-----------|
| RPM | 3000RPM |
| Eficiencia (S) | 2 |
| Tensión (V) | 380/660V |
| Hz | 50Hz |
| Factor de Potencia (cos) | 0,89 |
| Potencia-HP | 25,00 |
| Potencia-kW | 18,50 |
| EFF-N | 90,9 |
| Corriente-A | 34.7/20 |
| dBA | 81 |
| Capacitor-UF-monofásicos | No Aplica |
| Aislamiento-ISOL | No Aplica |

CERTIFICACIONES

| | |
|-----------|----------|
| IP | IP55 |
| Norma-IEC | IEC60034 |
| Norma-ISO | ISO9001 |



RM-T2-2F-02500-160-36



| A | A/2 | B | C | D | E | F | G | H | K | AB | AC | HD | L | DH |
|-----|-----|-----|-----|----|-----|----|----|-----|----|-----|-----|-----|-----|--------|
| 254 | 127 | 254 | 108 | 42 | 110 | 12 | 37 | 160 | 15 | 314 | 314 | 415 | 660 | M16X36 |



MODELO RM-T2-2F-03000-180-36

Trifásicos
Hierro

3000RPM
2P

HP
30,00

INFORMACIÓN GENERAL

| | |
|---------|-----------------------|
| Skü | RM-T2-2F-03000-180-36 |
| EAN13 | 7428325600812 |
| Tipo | Trifásico |
| Carcasa | 180M |
| Polos | 2 |

INFORMACIÓN FÍSICA

| | |
|----------------|-------------|
| Dimensiones-mm | 770*450*590 |
| Peso-kg | 180 |
| Material | Hierro |

LOGÍSTICA

| | |
|----------------------|-------------|
| Material-of-unit-box | wooden case |
| size-of-unitbox | 770*450*590 |
| size-of-woden-case | 770*450*590 |

INFORMACIÓN ELÉCTRICA

| | |
|--------------------------|-----------|
| RPM | 3000RPM |
| Eficiencia (S) | 2 |
| Tensión (V) | 380/660V |
| Hz | 50Hz |
| Factor de Potencia (cos) | 0,89 |
| Potencia-HP | 30,00 |
| Potencia-kW | 22,00 |
| EFF-N | 91,3 |
| Corriente-A | 41.1/23.7 |
| dBA | 83 |
| Capacitor-UF-monofásicos | No Aplica |
| Aislamiento-ISOL | No Aplica |

CERTIFICACIONES

| | |
|-----------|----------|
| IP | IP55 |
| Norma-IEC | IEC60034 |
| Norma-ISO | ISO9001 |



RM-T2-2F-03000-180-36



| A | A/2 | B | C | D | E | F | G | H | K | AB | AC | HD | L | DH |
|-----|-------|-----|-----|----|-----|----|------|-----|----|-----|-----|-----|-----|--------|
| 279 | 139.5 | 241 | 121 | 48 | 110 | 14 | 42.5 | 180 | 15 | 355 | 356 | 450 | 700 | M16X36 |



MODELO RM-T2-2F-04000-200-36

Trifásicos
Hierro

3000RPM
2P

HP
40,00

INFORMACIÓN GENERAL

| | |
|---------|-----------------------|
| Skü | RM-T2-2F-04000-200-36 |
| EAN13 | 7428325600829 |
| Tipo | Trifásico |
| Carcasa | 200L1 |
| Polos | 2 |

INFORMACIÓN FÍSICA

| | |
|----------------|-------------|
| Dimensiones-mm | 870*500*670 |
| Peso-kg | 243 |
| Material | Hierro |

LOGÍSTICA

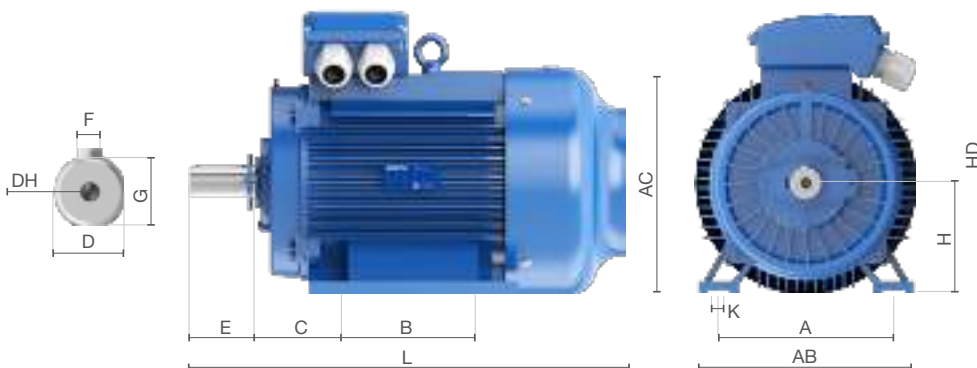
| | |
|----------------------|-------------|
| Material-of-unit-box | wooden case |
| size-of-unitbox | 870*500*670 |
| size-of-woden-case | 870*500*670 |

INFORMACIÓN ELÉCTRICA

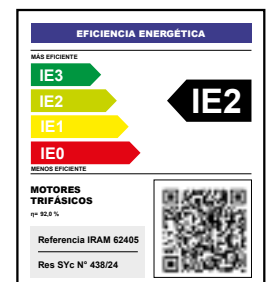
| | |
|--------------------------|-----------|
| RPM | 3000RPM |
| Eficiencia (S) | 2 |
| Tensión (V) | 380/660V |
| Hz | 50Hz |
| Factor de Potencia (cos) | 0,89 |
| Potencia-HP | 40,00 |
| Potencia-kW | 30,00 |
| EFF-N | 92,0 |
| Corriente-A | 55.7/32.1 |
| dBA | 84 |
| Capacitor-UF-monofásicos | No Aplica |
| Aislamiento-ISOL | No Aplica |

CERTIFICACIONES

| | |
|-----------|----------|
| IP | IP55 |
| Norma-IEC | IEC60034 |
| Norma-ISO | ISO9001 |



RM-T2-2F-04000-200-36



| A | A/2 | B | C | D | E | F | G | H | K | AB | AC | HD | L | DH |
|-----|-----|-----|-----|----|-----|----|----|-----|----|-----|-----|-----|-----|--------|
| 318 | 159 | 305 | 133 | 55 | 110 | 16 | 49 | 200 | 19 | 395 | 397 | 502 | 770 | M20X42 |



MODELO RM-T2-2F-05000-200-36

Trifásicos
Hierro

3000RPM
2P

HP
50,00

INFORMACIÓN GENERAL

| | |
|---------|-----------------------|
| Sku | RM-T2-2F-05000-200-36 |
| EAN13 | 7428325600836 |
| Tipo | Trifásico |
| Carcasa | 200L2 |
| Polos | 2 |

INFORMACIÓN FÍSICA

| | |
|----------------|-------------|
| Dimensiones-mm | 870*500*670 |
| Peso-kg | 263 |
| Material | Hierro |

LOGÍSTICA

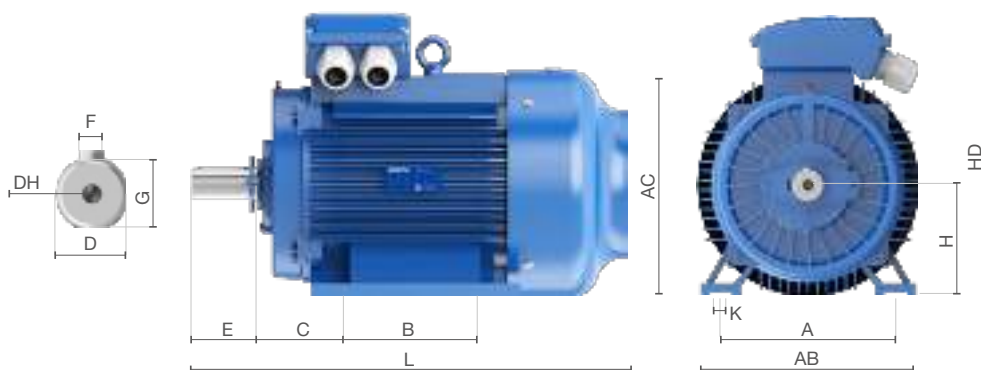
| | |
|----------------------|-------------|
| Material-of-unit-box | wooden case |
| size-of-unitbox | 870*500*670 |
| size-of-woden-case | 870*500*670 |

INFORMACIÓN ELÉCTRICA

| | |
|--------------------------|-----------|
| RPM | 3000RPM |
| Eficiencia (S) | 2 |
| Tensión (V) | 380/660V |
| Hz | 50Hz |
| Factor de Potencia (cos) | 0,89 |
| Potencia-HP | 50,00 |
| Potencia-kW | 37,00 |
| EFF-N | 92,5 |
| Corriente-A | 68.3/39.3 |
| dBA | 84 |
| Capacitor-UF-monofásicos | No Aplica |
| Aislamiento-ISOL | No Aplica |

CERTIFICACIONES

| | |
|-----------|----------|
| IP | IP55 |
| Norma-IEC | IEC60034 |
| Norma-ISO | ISO9001 |



| A | A/2 | B | C | D | E | F | G | H | K | AB | AC | HD | L | DH |
|-----|-----|-----|-----|----|-----|----|----|-----|----|-----|-----|-----|-----|--------|
| 318 | 159 | 305 | 133 | 55 | 110 | 16 | 49 | 200 | 19 | 395 | 397 | 502 | 770 | M20X42 |



MODELO RM-T2-2F-06000-225-36

Trifásicos
Hierro

3000RPM
2P

HP
60,00

INFORMACIÓN GENERAL

| | |
|---------|-----------------------|
| Sku | RM-T2-2F-06000-225-36 |
| EAN13 | 7428325600843 |
| Tipo | Trifásico |
| Carcasa | 225M |
| Polos | 2 |

INFORMACIÓN FÍSICA

| | |
|----------------|-------------|
| Dimensiones-mm | 920*550*700 |
| Peso-kg | - |
| Material | Hierro |

LOGÍSTICA

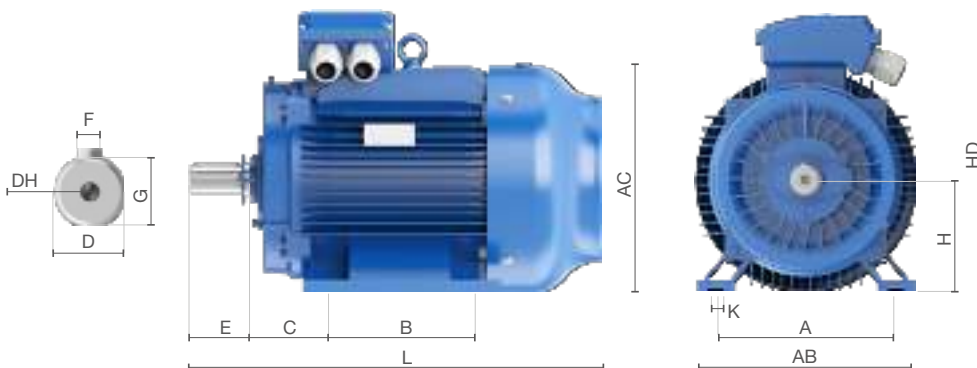
| | |
|----------------------|-------------|
| Material-of-unit-box | wooden case |
| size-of-unitbox | 920*550*700 |
| size-of-woden-case | 920*550*700 |

INFORMACIÓN ELÉCTRICA

| | |
|--------------------------|-----------|
| RPM | 3000RPM |
| Eficiencia (S) | 2 |
| Tensión (V) | 380/660V |
| Hz | 50Hz |
| Factor de Potencia (cos) | 0,89 |
| Potencia-HP | 60,00 |
| Potencia-kW | 45,00 |
| EFF-N | 92,9 |
| Corriente-A | 82.7/47.6 |
| dBA | 86 |
| Capacitor-UF-monofásicos | No Aplica |
| Aislamiento-ISOL | No Aplica |

CERTIFICACIONES

| | |
|-----------|----------|
| IP | IP55 |
| Norma-IEC | IEC60034 |
| Norma-ISO | ISO9001 |



| A | A/2 | B | C | D | E | F | G | H | K | AB | AC | HD | L | DH |
|-----|-----|-----|-----|----|-----|----|----|-----|----|-----|-----|-----|-----|--------|
| 356 | 178 | 311 | 149 | 55 | 110 | 16 | 49 | 225 | 19 | 435 | 445 | 548 | 825 | M20X42 |



MODELO RM-T2-2F-07500-250-36

Trifásicos
Hierro

3000RPM
2P

HP
75,00

INFORMACIÓN GENERAL

| | |
|---------|-----------------------|
| Skü | RM-T2-2F-07500-250-36 |
| EAN13 | 7428325600850 |
| Tipo | Trifásico |
| Carcasa | 250M |
| Polos | 2 |

INFORMACIÓN FÍSICA

| | |
|----------------|--------------|
| Dimensiones-mm | 1020*590*790 |
| Peso-kg | - |
| Material | Hierro |

LOGÍSTICA

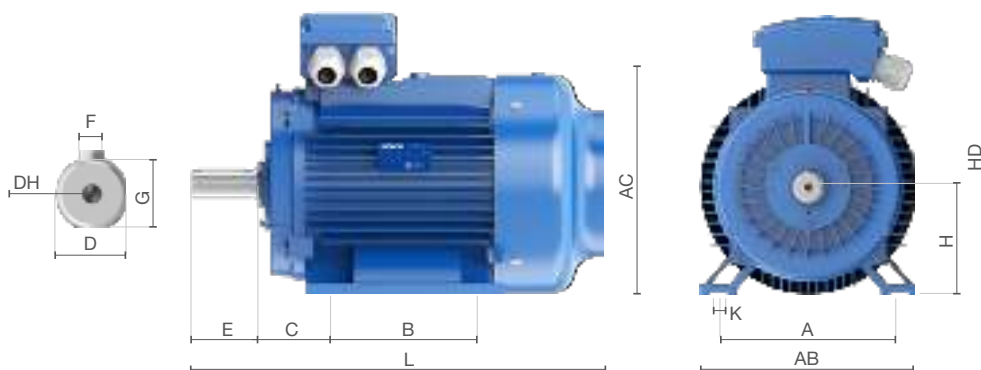
| | |
|----------------------|--------------|
| Material-of-unit-box | wooden case |
| size-of-unitbox | 1020*590*790 |
| size-of-woden-case | 1020*590*790 |

INFORMACIÓN ELÉCTRICA

| | |
|--------------------------|-----------|
| RPM | 3000RPM |
| Eficiencia (S) | 2 |
| Tensión (V) | 380/660V |
| Hz | 50Hz |
| Factor de Potencia (cos) | 0,89 |
| Potencia-HP | 75,00 |
| Potencia-kW | 55,00 |
| EFF-N | 93,2 |
| Corriente-A | 101/58 |
| dBA | 89 |
| Capacitor-UF-monofásicos | No Aplica |
| Aislamiento-ISOL | No Aplica |

CERTIFICACIONES

| | |
|-----------|----------|
| IP | IP55 |
| Norma-IEC | IEC60034 |
| Norma-ISO | ISO9001 |



| A | A/2 | B | C | D | E | F | G | H | K | AB | AC | HD | L | DH |
|-----|-----|-----|-----|----|-----|----|----|-----|----|-----|-----|-----|-----|--------|
| 406 | 203 | 349 | 168 | 60 | 140 | 18 | 53 | 250 | 24 | 490 | 485 | 622 | 920 | M20X42 |



MODELO RM-T2-2F-10000-280-36

Trifásicos
Hierro

3000RPM
2P

HP
100,00

INFORMACIÓN GENERAL

| | |
|---------|-----------------------|
| Sku | RM-T2-2F-10000-280-36 |
| EAN13 | 7428325600867 |
| Tipo | Trifásico |
| Carcasa | 280S |
| Polos | 2 |

INFORMACIÓN FÍSICA

| | |
|----------------|--------------|
| Dimensiones-mm | 1110*650*850 |
| Peso-kg | - |
| Material | Hierro |

LOGÍSTICA

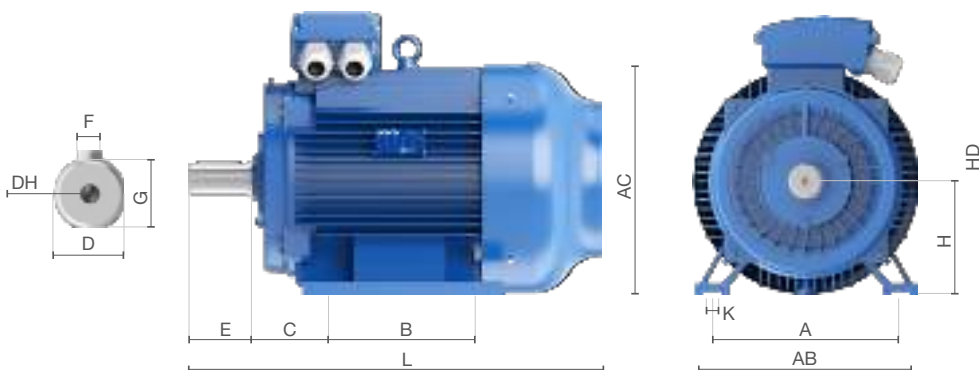
| | |
|----------------------|--------------|
| Material-of-unit-box | wooden case |
| size-of-unitbox | 1110*650*850 |
| size-of-woden-case | 1110*650*850 |

INFORMACIÓN ELÉCTRICA

| | |
|--------------------------|-----------|
| RPM | 3000RPM |
| Eficiencia (S) | 2 |
| Tensión (V) | 380/660V |
| Hz | 50Hz |
| Factor de Potencia (cos) | 0,89 |
| Potencia-HP | 100,00 |
| Potencia-kW | 75,00 |
| EFF-N | 93,8 |
| Corriente-A | 137/78.6 |
| dBA | 91 |
| Capacitor-UF-monofásicos | No Aplica |
| Aislamiento-ISOL | No Aplica |

CERTIFICACIONES

| | |
|-----------|----------|
| IP | IP55 |
| Norma-IEC | IEC60034 |
| Norma-ISO | ISO9001 |



| A | A/2 | B | C | D | E | F | G | H | K | AB | AC | HD | L | DH |
|-----|-------|-----|-----|----|-----|----|----|-----|----|-----|-----|-----|-----|--------|
| 457 | 228.5 | 368 | 190 | 65 | 140 | 18 | 58 | 280 | 24 | 542 | 546 | 670 | 991 | M20X42 |



MODELO RM-T2-2F-12500-280-36

Trifásicos
Hierro

3000RPM
2P

HP
125,00

INFORMACIÓN GENERAL

| | |
|---------|-----------------------|
| Sku | RM-T2-2F-12500-280-36 |
| EAN13 | 7428325600874 |
| Tipo | Trifásico |
| Carcasa | 280M |
| Polos | 2 |

INFORMACIÓN FÍSICA

| | |
|----------------|--------------|
| Dimensiones-mm | 1150*650*850 |
| Peso-kg | - |
| Material | Hierro |

LOGÍSTICA

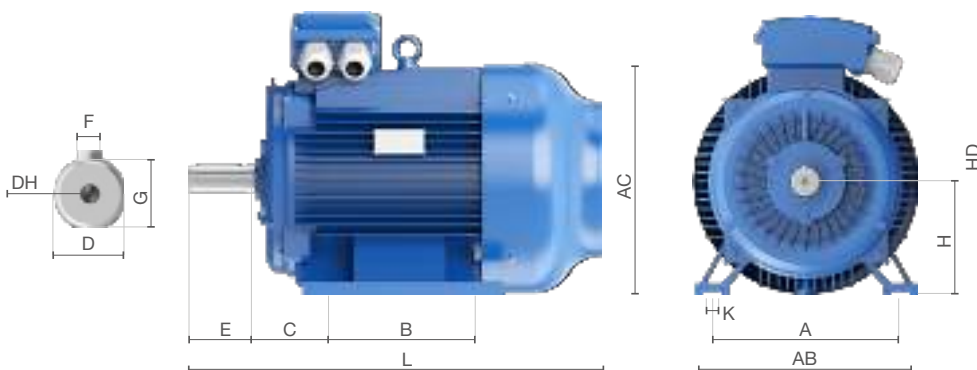
| | |
|----------------------|--------------|
| Material-of-unit-box | wooden case |
| size-of-unitbox | 1150*650*850 |
| size-of-woden-case | 1150*650*850 |

INFORMACIÓN ELÉCTRICA

| | |
|--------------------------|-----------|
| RPM | 3000RPM |
| Eficiencia (S) | 2 |
| Tensión (V) | 380/660V |
| Hz | 50Hz |
| Factor de Potencia (cos) | 0,89 |
| Potencia-HP | 125,00 |
| Potencia-kW | 90,00 |
| EFF-N | 94,1 |
| Corriente-A | 163/94 |
| dBA | 91 |
| Capacitor-UF-monofásicos | No Aplica |
| Aislamiento-ISOL | No Aplica |

CERTIFICACIONES

| | |
|-----------|----------|
| IP | IP55 |
| Norma-IEC | IEC60034 |
| Norma-ISO | ISO9001 |



| A | A/2 | B | C | D | E | F | G | H | K | AB | AC | HD | L | DH |
|-----|-------|-----|-----|----|-----|----|----|-----|----|-----|-----|-----|------|--------|
| 457 | 228.5 | 419 | 190 | 65 | 140 | 18 | 58 | 280 | 24 | 542 | 546 | 670 | 1046 | M20X42 |



MODELO RM-T2-2F-15000-315-36

Trifásicos
Hierro

3000RPM
2P

HP
150,00

INFORMACIÓN GENERAL

| | |
|---------|-----------------------|
| Skü | RM-T2-2F-15000-315-36 |
| EAN13 | 7428325600881 |
| Tipo | Trifásico |
| Carcasa | 315S |
| Polos | 2 |

INFORMACIÓN FÍSICA

| | |
|----------------|---------------|
| Dimensiones-mm | 1350*750*1040 |
| Peso-kg | - |
| Material | Hierro |

LOGÍSTICA

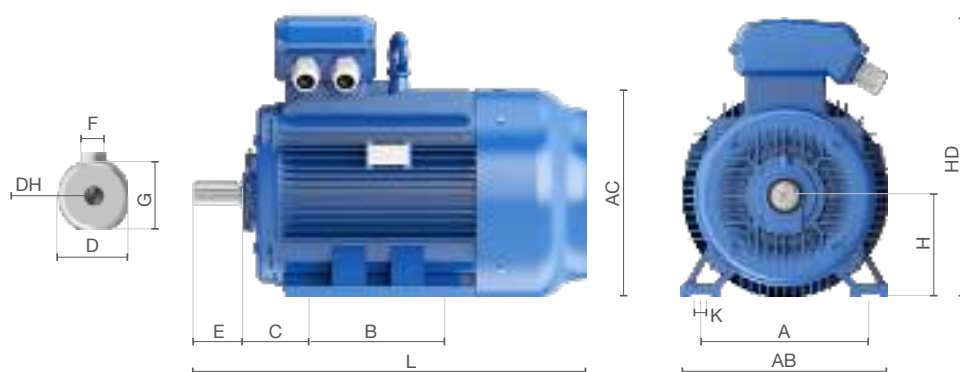
| | |
|----------------------|---------------|
| Material-of-unit-box | wooden case |
| size-of-unitbox | 1350*750*1040 |
| size-of-woden-case | 1350*750*1040 |

INFORMACIÓN ELÉCTRICA

| | |
|--------------------------|-----------|
| RPM | 3000RPM |
| Eficiencia (S) | 2 |
| Tensión (V) | 380/660V |
| Hz | 50Hz |
| Factor de Potencia (cos) | 0,9 |
| Potencia-HP | 150,00 |
| Potencia-kW | 110,00 |
| EFF-N | 94,3 |
| Corriente-A | 197/113 |
| dBA | 92 |
| Capacitor-UF-monofásicos | No Aplica |
| Aislamiento-ISOL | No Aplica |

CERTIFICACIONES

| | |
|-----------|----------|
| IP | IP55 |
| Norma-IEC | IEC60034 |
| Norma-ISO | ISO9001 |



| A | A/2 | B | C | D | E | F | G | H | K | AB | AC | HD | L | DH |
|-----|-----|-----|-----|----|-----|----|----|-----|----|-----|-----|-----|------|--------|
| 508 | 254 | 406 | 216 | 65 | 140 | 18 | 58 | 315 | 28 | 628 | 620 | 855 | 1185 | M20X42 |



MODELO RM-T2-2F-17500-315-36

Trifásicos
Hierro

3000RPM
2P

HP
175,00

INFORMACIÓN GENERAL

| | |
|---------|-----------------------|
| Sku | RM-T2-2F-17500-315-36 |
| EAN13 | 7428325600898 |
| Tipo | Trifásico |
| Carcasa | 315M |
| Polos | 2 |

INFORMACIÓN FÍSICA

| | |
|----------------|---------------|
| Dimensiones-mm | 1450*750*1040 |
| Peso-kg | - |
| Material | Hierro |

LOGÍSTICA

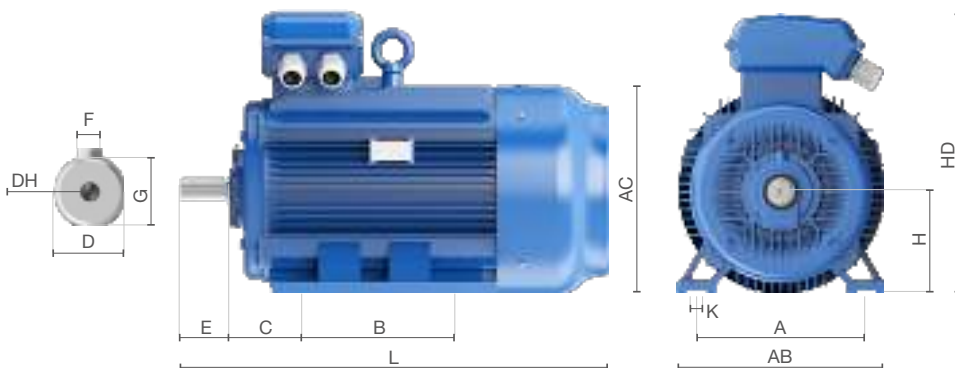
| | |
|----------------------|---------------|
| Material-of-unit-box | wooden case |
| size-of-unitbox | 1450*750*1040 |
| size-of-woden-case | 1450*750*1040 |

INFORMACIÓN ELÉCTRICA

| | |
|--------------------------|-----------|
| RPM | 3000RPM |
| Eficiencia (S) | 2 |
| Tensión (V) | 380/660V |
| Hz | 50Hz |
| Factor de Potencia (cos) | 0,9 |
| Potencia-HP | 175,00 |
| Potencia-kW | 132,00 |
| EFF-N | 94,6 |
| Corriente-A | 236/136 |
| dBA | 92 |
| Capacitor-UF-monofásicos | No Aplica |
| Aislamiento-ISOL | No Aplica |

CERTIFICACIONES

| | |
|-----------|----------|
| IP | IP55 |
| Norma-IEC | IEC60034 |
| Norma-ISO | ISO9001 |



| A | A/2 | B | C | D | E | F | G | H | K | AB | AC | HD | L | DH |
|-----|-----|-----|-----|----|-----|----|----|-----|----|-----|-----|-----|------|--------|
| 508 | 254 | 457 | 216 | 65 | 140 | 18 | 58 | 315 | 28 | 628 | 620 | 855 | 1290 | M20X42 |



MODELO RM-T2-2F-22000-315-36

Trifásicos
Hierro

3000RPM
2P

HP
175,00

INFORMACIÓN GENERAL

| | |
|---------|-----------------------|
| Sku | RM-T2-2F-22000-315-36 |
| EAN13 | 7428325600904 |
| Tipo | Trifásico |
| Carcasa | 315L1 |
| Polos | 2 |

INFORMACIÓN FÍSICA

| | |
|----------------|---------------|
| Dimensiones-mm | 1450*750*1040 |
| Peso-kg | - |
| Material | Hierro |

LOGÍSTICA

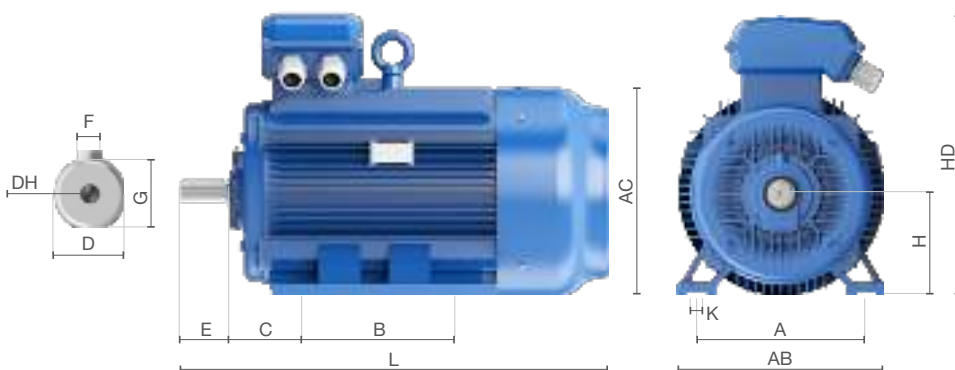
| | |
|----------------------|---------------|
| Material-of-unit-box | wooden case |
| size-of-unitbox | 1450*750*1040 |
| size-of-woden-case | 1450*750*1040 |

INFORMACIÓN ELÉCTRICA

| | |
|--------------------------|-----------|
| RPM | 3000RPM |
| Eficiencia (S) | 2 |
| Tensión (V) | 380/660V |
| Hz | 50Hz |
| Factor de Potencia (cos) | 0,91 |
| Potencia-HP | 220,00 |
| Potencia-kW | 160,00 |
| EFF-N | 94,8 |
| Corriente-A | 282/162 |
| dBA | 92 |
| Capacitor-UF-monofásicos | No Aplica |
| Aislamiento-ISOL | No Aplica |

CERTIFICACIONES

| | |
|-----------|----------|
| IP | IP55 |
| Norma-IEC | IEC60034 |
| Norma-ISO | ISO9001 |



| A | A/2 | B | C | D | E | F | G | H | K | AB | AC | HD | L | DH |
|-----|-----|-----|-----|----|-----|----|----|-----|----|-----|-----|-----|------|--------|
| 508 | 254 | 508 | 216 | 65 | 140 | 18 | 58 | 315 | 28 | 628 | 620 | 855 | 1290 | M20X42 |



MODELO RM-T2-4F-00075-80M-23

Trifásicos
Hierro

1500RPM
4P

HP
0,75

INFORMACIÓN GENERAL

| | |
|---------|-----------------------|
| Sku | RM-T2-4F-00075-80M-23 |
| EAN13 | 7428325600911 |
| Tipo | Trifásico |
| Carcasa | 80M1 |
| Polos | 4 |

INFORMACIÓN FÍSICA

| | |
|----------------|-------------|
| Dimensiones-mm | 320*220*260 |
| Peso-kg | - |
| Material | Hierro |

LOGÍSTICA

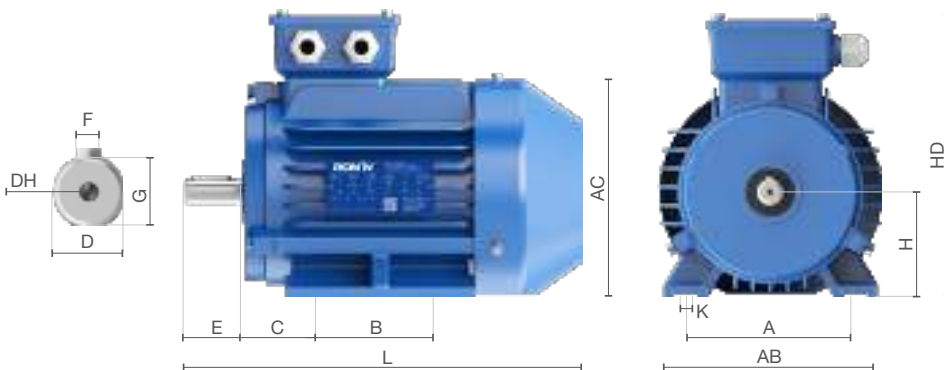
| | |
|----------------------|---------------|
| Material-of-unit-box | carton |
| size-of-unitbox | 1150*850*1030 |
| size-of-woden-case | 1150*850*1030 |

INFORMACIÓN ELÉCTRICA

| | |
|--------------------------|-----------|
| RPM | 1500RPM |
| Eficiencia (S) | 2 |
| Tensión (V) | 220/380V |
| Hz | 50Hz |
| Factor de Potencia (cos) | 0,75 |
| Potencia-HP | 0,75 |
| Potencia-kW | 0,55 |
| EFF-N | 78,0 |
| Corriente-A | 2.5/1.4 |
| dBA | 56 |
| Capacitor-UF-monofásicos | No Aplica |
| Aislamiento-ISOL | No Aplica |

CERTIFICACIONES

| | |
|-----------|----------|
| IP | IP55 |
| Norma-IEC | IEC60034 |
| Norma-ISO | ISO9001 |



RONIN
RM-T2-4F-00075-80M-23



| A | A/2 | B | C | D | E | F | G | H | K | AB | AC | HD | L | DH |
|-----|------|-----|----|----|----|---|------|----|----|-----|-----|-----|-----|-------|
| 125 | 62.5 | 100 | 50 | 19 | 40 | 6 | 15.5 | 80 | 10 | 153 | 157 | 220 | 295 | M6X16 |



MODELO RM-T2-4F-00100-80M-23

Trifásicos
Hierro

1500RPM
4P

HP
1,00

INFORMACIÓN GENERAL

| | |
|---------|-----------------------|
| Sku | RM-T2-4F-00100-80M-23 |
| EAN13 | 7428325600928 |
| Tipo | Trifásico |
| Carcasa | 80M2 |
| Polos | 4 |

INFORMACIÓN FÍSICA

| | |
|----------------|-------------|
| Dimensiones-mm | 320*220*260 |
| Peso-kg | - |
| Material | Hierro |

LOGÍSTICA

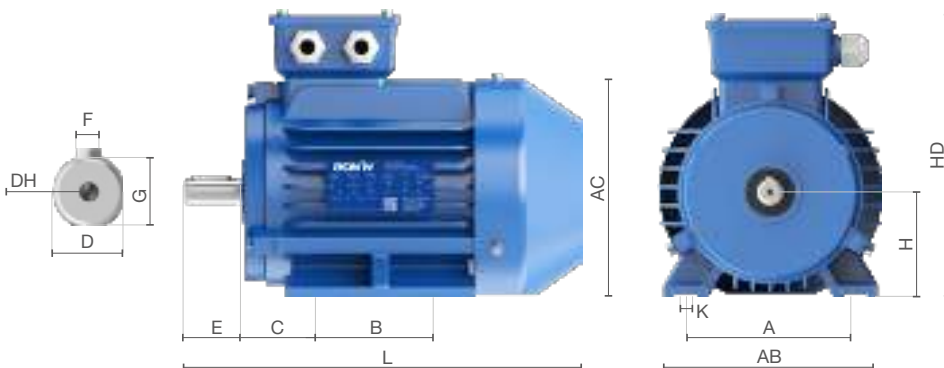
| | |
|----------------------|---------------|
| Material-of-unit-box | carton |
| size-of-unitbox | 1150*850*1030 |
| size-of-woden-case | 1150*850*1030 |

INFORMACIÓN ELÉCTRICA

| | |
|--------------------------|-----------|
| RPM | 1500RPM |
| Eficiencia (S) | 2 |
| Tensión (V) | 220/380V |
| Hz | 50Hz |
| Factor de Potencia (cos) | 0,76 |
| Potencia-HP | 1,00 |
| Potencia-kW | 0,75 |
| EFF-N | 79,6 |
| Corriente-A | 3.3/1.9 |
| dBA | 56 |
| Capacitor-UF-monofásicos | No Aplica |
| Aislamiento-ISOL | No Aplica |

CERTIFICACIONES

| | |
|-----------|----------|
| IP | IP55 |
| Norma-IEC | IEC60034 |
| Norma-ISO | ISO9001 |



RONIN
RM-T2-4F-00100-80M-23



| A | A/2 | B | C | D | E | F | G | H | K | AB | AC | HD | L | DH |
|-----|------|-----|----|----|----|---|------|----|----|-----|-----|-----|-----|-------|
| 125 | 62.5 | 100 | 50 | 19 | 40 | 6 | 15.5 | 80 | 10 | 153 | 157 | 220 | 295 | M6X16 |



MODELO RM-T2-4F-00150-90S-23

Trifásicos
Hierro

1500RPM
4P

HP
1,50

INFORMACIÓN GENERAL

| | |
|---------|-----------------------|
| Sku | RM-T2-4F-00150-90S-23 |
| EAN13 | 7428325600935 |
| Tipo | Trifásico |
| Carcasa | 90S |
| Polos | 4 |

INFORMACIÓN FÍSICA

| | |
|----------------|-------------|
| Dimensiones-mm | 355*210*260 |
| Peso-kg | 28 |
| Material | Hierro |

LOGÍSTICA

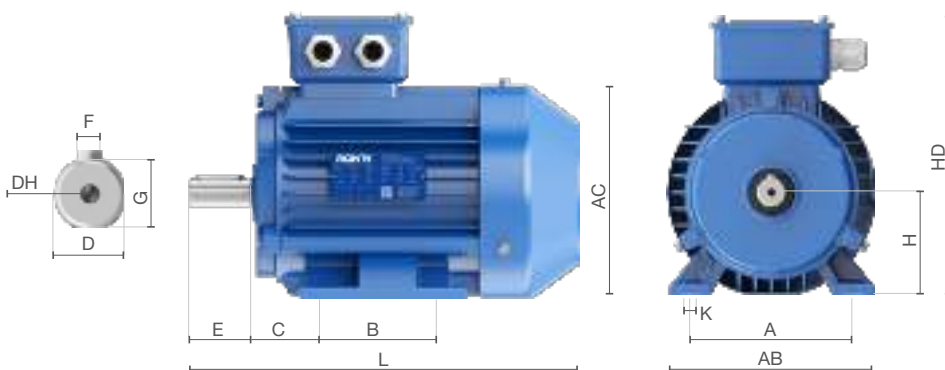
| | |
|----------------------|---------------|
| Material-of-unit-box | carton |
| size-of-unitbox | 355*210*260 |
| size-of-woden-case | 1150*850*1030 |

INFORMACIÓN ELÉCTRICA

| | |
|--------------------------|-----------|
| RPM | 1500RPM |
| Eficiencia (S) | 2 |
| Tensión (V) | 220/380V |
| Hz | 50Hz |
| Factor de Potencia (cos) | 0,77 |
| Potencia-HP | 1,50 |
| Potencia-kW | 1,10 |
| EFF-N | 81,4 |
| Corriente-A | 4.6/2.7 |
| dBA | 59 |
| Capacitor-UF-monofásicos | No Aplica |
| Aislamiento-ISOL | No Aplica |

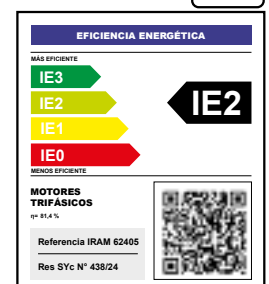
CERTIFICACIONES

| | |
|-----------|----------|
| IP | IP55 |
| Norma-IEC | IEC60034 |
| Norma-ISO | ISO9001 |



RONIN

RM-T2-4F-00150-90S-23



| A | A/2 | B | C | D | E | F | G | H | K | AB | AC | HD | L | DH |
|-----|-----|-----|----|----|----|---|----|----|----|-----|-----|-----|-----|-------|
| 140 | 70 | 100 | 56 | 24 | 50 | 8 | 20 | 90 | 10 | 177 | 177 | 240 | 327 | M8X19 |



MODELO RM-T2-4F-00200-90L-23

Trifásicos
Hierro

1500RPM
4P

HP
2,00

INFORMACIÓN GENERAL

| | |
|---------|-----------------------|
| Sku | RM-T2-4F-00200-90L-23 |
| EAN13 | 7428325600942 |
| Tipo | Trifásico |
| Carcasa | 90L |
| Polos | 4 |

INFORMACIÓN FÍSICA

| | |
|----------------|-------------|
| Dimensiones-mm | 380*210*260 |
| Peso-kg | 33 |
| Material | Hierro |

LOGÍSTICA

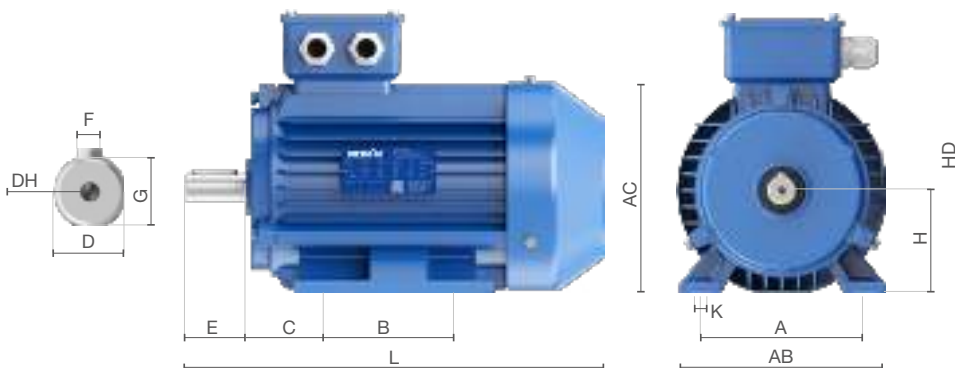
| | |
|----------------------|---------------|
| Material-of-unit-box | carton |
| size-of-unitbox | 380*210*260 |
| size-of-woden-case | 1150*850*1290 |

INFORMACIÓN ELÉCTRICA

| | |
|--------------------------|-----------|
| RPM | 1500RPM |
| Eficiencia (S) | 2 |
| Tensión (V) | 220/380V |
| Hz | 50Hz |
| Factor de Potencia (cos) | 0,78 |
| Potencia-HP | 2,00 |
| Potencia-kW | 1,50 |
| EFF-N | 82,8 |
| Corriente-A | 6.1/3.5 |
| dBA | 59 |
| Capacitor-UF-monofásicos | No Aplica |
| Aislamiento-ISOL | No Aplica |

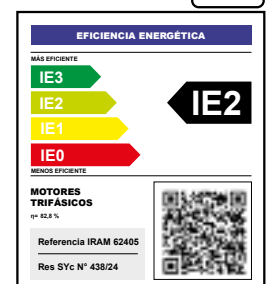
CERTIFICACIONES

| | |
|-----------|----------|
| IP | IP55 |
| Norma-IEC | IEC60034 |
| Norma-ISO | ISO9001 |



RONIN

RM-T2-4F-00200-90L-23



| A | A/2 | B | C | D | E | F | G | H | K | AB | AC | HD | L | DH |
|-----|-----|-----|----|----|----|---|----|----|----|-----|-----|-----|-----|-------|
| 140 | 70 | 125 | 56 | 24 | 50 | 8 | 20 | 90 | 10 | 177 | 177 | 240 | 357 | M8X19 |



MODELO RM-T2-4F-00300-100-23

Trifásicos
Hierro

1500RPM
4P

HP
2,00

INFORMACIÓN GENERAL

| | |
|---------|-----------------------|
| Sku | RM-T2-4F-00300-100-23 |
| EAN13 | 7428325600959 |
| Tipo | Trifásico |
| Carcasa | 100L1 |
| Polos | 4 |

INFORMACIÓN FÍSICA

| | |
|----------------|-------------|
| Dimensiones-mm | 405*230*295 |
| Peso-kg | 42 |
| Material | Hierro |

LOGÍSTICA

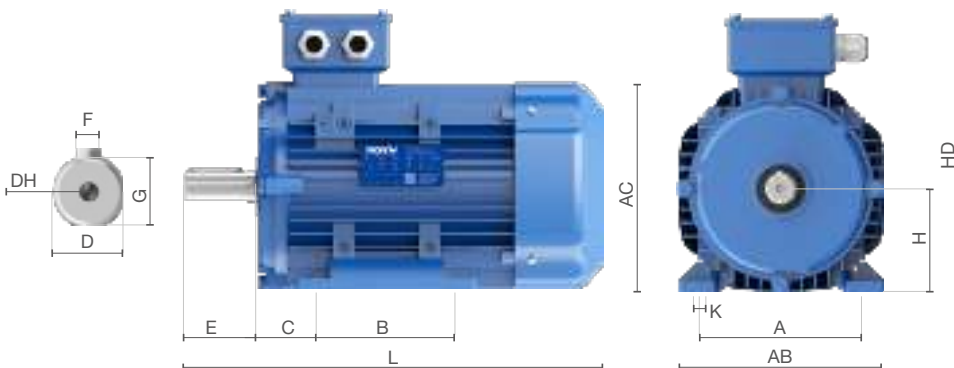
| | |
|----------------------|---------------|
| Material-of-unit-box | carton |
| size-of-unitbox | 405*230*295 |
| size-of-woden-case | 1150*820*1140 |

INFORMACIÓN ELÉCTRICA

| | |
|--------------------------|-----------|
| RPM | 1500RPM |
| Eficiencia (S) | 2 |
| Tensión (V) | 220/380V |
| Hz | 50Hz |
| Factor de Potencia (cos) | 0,8 |
| Potencia-HP | 3,00 |
| Potencia-kW | 2,20 |
| EFF-N | 84,3 |
| Corriente-A | 8.6/5 |
| dBA | 64 |
| Capacitor-UF-monofásicos | No Aplica |
| Aislamiento-ISOL | No Aplica |

CERTIFICACIONES

| | |
|-----------|----------|
| IP | IP55 |
| Norma-IEC | IEC60034 |
| Norma-ISO | ISO9001 |



RONIN

RM-T2-4F-00300-100-23



| A | A/2 | B | C | D | E | F | G | H | K | AB | AC | HD | L | DH |
|-----|-----|-----|----|----|----|---|----|----|----|-----|-----|-----|-----|--------|
| 160 | 80 | 140 | 63 | 28 | 60 | 8 | 24 | 10 | 12 | 196 | 197 | 267 | 403 | M10X22 |



MODELO RM-T2-4F-00400-100-23

Trifásicos
Hierro

1500RPM
4P

HP
4,00

INFORMACIÓN GENERAL

| | |
|---------|-----------------------|
| Skü | RM-T2-4F-00400-100-23 |
| EAN13 | 7428325600966 |
| Tipo | Trifásico |
| Carcasa | 100L2 |
| Polos | 4 |

INFORMACIÓN FÍSICA

| | |
|----------------|-------------|
| Dimensiones-mm | 405*230*295 |
| Peso-kg | 46 |
| Material | Hierro |

LOGÍSTICA

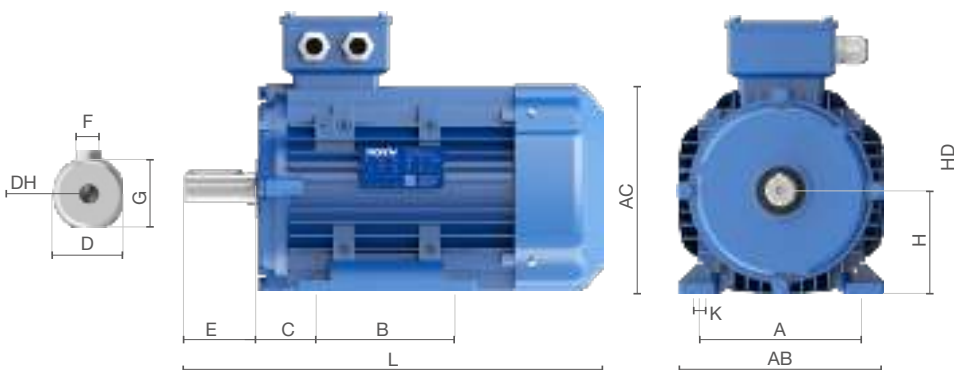
| | |
|----------------------|---------------|
| Material-of-unit-box | carton |
| size-of-unitbox | 405*230*295 |
| size-of-woden-case | 1150*820*1140 |

INFORMACIÓN ELÉCTRICA

| | |
|--------------------------|-----------|
| RPM | 1500RPM |
| Eficiencia (S) | 2 |
| Tensión (V) | 220/380V |
| Hz | 50Hz |
| Factor de Potencia (cos) | 0,81 |
| Potencia-HP | 4,00 |
| Potencia-kW | 3,00 |
| EFF-N | 85,5 |
| Corriente-A | 11.4/6.6 |
| dBA | 64 |
| Capacitor-UF-monofásicos | No Aplica |
| Aislamiento-ISOL | No Aplica |

CERTIFICACIONES

| | |
|-----------|----------|
| IP | IP55 |
| Norma-IEC | IEC60034 |
| Norma-ISO | ISO9001 |



RON'N

RM-T2-4F-00400-100-23



| A | A/2 | B | C | D | E | F | G | H | K | AB | AC | HD | L | DH |
|-----|-----|-----|----|----|----|---|----|----|----|-----|-----|-----|-----|--------|
| 160 | 80 | 140 | 63 | 28 | 60 | 8 | 24 | 10 | 12 | 196 | 197 | 267 | 403 | M10X22 |



MODELO RM-T2-4F-00550-112-36

Trifásicos
Hierro

1500RPM
4P

HP
5,50

INFORMACIÓN GENERAL

| | |
|---------|-----------------------|
| Sku | RM-T2-4F-00550-112-36 |
| EAN13 | 7428325600973 |
| Tipo | Trifásico |
| Carcasa | 112M |
| Polos | 4 |

INFORMACIÓN FÍSICA

| | |
|----------------|-------------|
| Dimensiones-mm | 420*245*310 |
| Peso-kg | 56 |
| Material | Hierro |

LOGÍSTICA

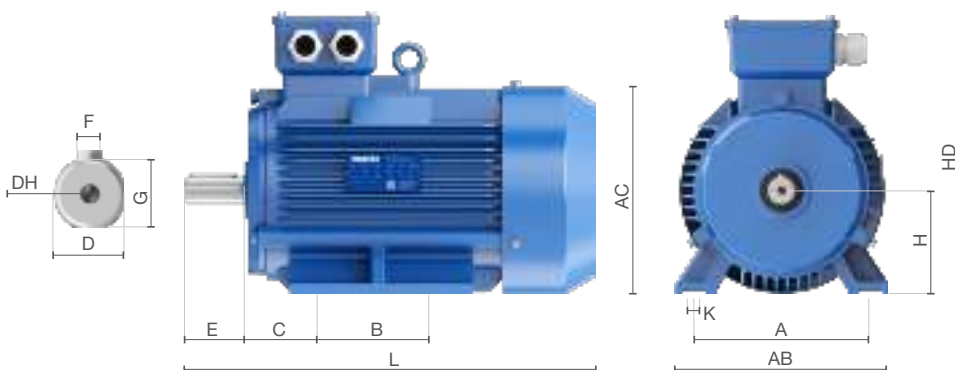
| | |
|----------------------|---------------|
| Material-of-unit-box | carton |
| size-of-unitbox | 420*245*310 |
| size-of-woden-case | 1112*992*1222 |

INFORMACIÓN ELÉCTRICA

| | |
|--------------------------|-----------|
| RPM | 1500RPM |
| Eficiencia (S) | 2 |
| Tensión (V) | 380/660V |
| Hz | 50Hz |
| Factor de Potencia (cos) | 0,81 |
| Potencia-HP | 5,50 |
| Potencia-kW | 4,00 |
| EFF-N | 86,6 |
| Corriente-A | 8.7/5 |
| dBA | 65 |
| Capacitor-UF-monofásicos | No Aplica |
| Aislamiento-ISOL | No Aplica |

CERTIFICACIONES

| | |
|-----------|----------|
| IP | IP55 |
| Norma-IEC | IEC60034 |
| Norma-ISO | ISO9001 |



RON'N

RM-T2-4F-00550-112-36



| A | A/2 | B | C | D | E | F | G | H | K | AB | AC | HD | L | DH |
|-----|-----|-----|----|----|----|---|----|-----|----|-----|-----|-----|-----|--------|
| 190 | 95 | 140 | 70 | 28 | 60 | 8 | 24 | 112 | 12 | 226 | 219 | 289 | 430 | M10X22 |

MODELO RM-T2-4F-00750-132-36

Trifásicos
Hierro

1500RPM
4P

HP
7,50

INFORMACIÓN GENERAL

| | |
|---------|-----------------------|
| Skü | RM-T2-4F-00750-132-36 |
| EAN13 | 7428325600980 |
| Tipo | Trifásico |
| Carcasa | 132S |
| Polos | 4 |

INFORMACIÓN FÍSICA

| | |
|----------------|-------------|
| Dimensiones-mm | 530*330*400 |
| Peso-kg | 73 |
| Material | Hierro |

LOGÍSTICA

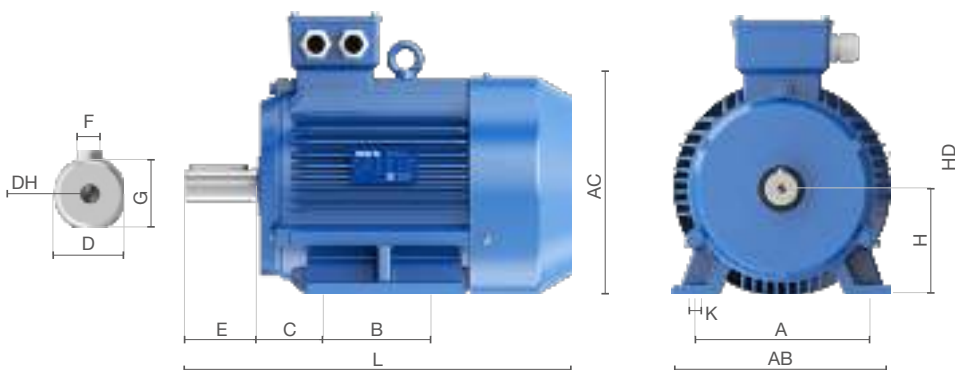
| | |
|----------------------|----------------|
| Material-of-unit-box | wooden case |
| size-of-unitbox | 530*330*400 |
| size-of-woden-case | 1150*1000*1340 |

INFORMACIÓN ELÉCTRICA

| | |
|--------------------------|-----------|
| RPM | 1500RPM |
| Eficiencia (S) | 2 |
| Tensión (V) | 380/660V |
| Hz | 50Hz |
| Factor de Potencia (cos) | 0,82 |
| Potencia-HP | 7,50 |
| Potencia-kW | 5,50 |
| EFF-N | 87,7 |
| Corriente-A | 11.6/6.7 |
| dBA | 71 |
| Capacitor-UF-monofásicos | No Aplica |
| Aislamiento-ISOL | No Aplica |

CERTIFICACIONES

| | |
|-----------|----------|
| IP | IP55 |
| Norma-IEC | IEC60034 |
| Norma-ISO | ISO9001 |



RONIN
RM-T2-4F-00550-112-36



| A | A/2 | B | C | D | E | F | G | H | K | AB | AC | HD | L | DH |
|-----|-----|-----|----|----|----|----|----|-----|----|-----|-----|-----|-----|--------|
| 216 | 108 | 140 | 89 | 38 | 80 | 10 | 33 | 132 | 12 | 260 | 258 | 328 | 460 | M12X28 |



MODELO RM-T2-4F-01000-132-36

Trifásicos
Hierro

1500RPM
4P

HP
10,00

INFORMACIÓN GENERAL

| | |
|---------|-----------------------|
| Sku | RM-T2-4F-01000-132-36 |
| EAN13 | 7428325600997 |
| Tipo | Trifásico |
| Carcasa | 132M |
| Polos | 4 |

INFORMACIÓN FÍSICA

| | |
|----------------|-------------|
| Dimensiones-mm | 570*330*440 |
| Peso-kg | 87 |
| Material | Hierro |

LOGÍSTICA

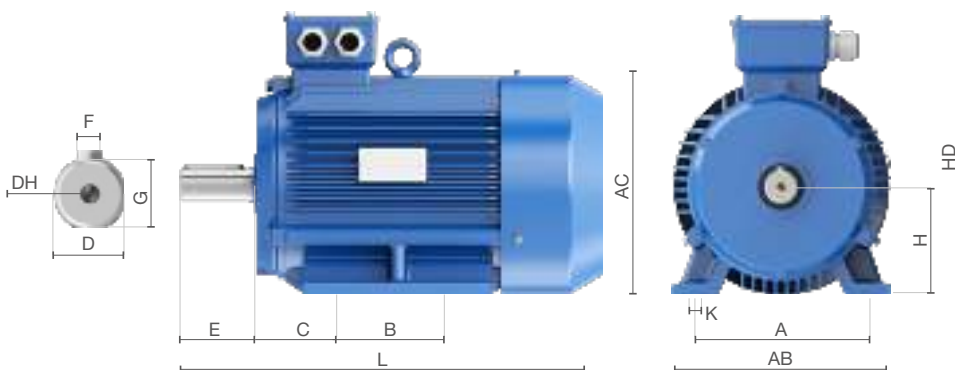
| | |
|----------------------|----------------|
| Material-of-unit-box | wooden case |
| size-of-unitbox | 570*330*440 |
| size-of-woden-case | 1150*1000*1340 |

INFORMACIÓN ELÉCTRICA

| | |
|--------------------------|-----------|
| RPM | 1500RPM |
| Eficiencia (S) | 2 |
| Tensión (V) | 380/660V |
| Hz | 50Hz |
| Factor de Potencia (cos) | 0,83 |
| Potencia-HP | 10,00 |
| Potencia-kW | 7,50 |
| EFF-N | 88,7 |
| Corriente-A | 15.5/8.9 |
| dBA | 71 |
| Capacitor-UF-monofásicos | No Aplica |
| Aislamiento-ISOL | No Aplica |

CERTIFICACIONES

| | |
|-----------|----------|
| IP | IP55 |
| Norma-IEC | IEC60034 |
| Norma-ISO | ISO9001 |



RM-T2-4F-01000-132-36



| A | A/2 | B | C | D | E | F | G | H | K | AB | AC | HD | L | DH |
|-----|-----|-----|----|----|----|----|----|-----|----|-----|-----|-----|-----|--------|
| 216 | 108 | 178 | 89 | 38 | 80 | 10 | 33 | 132 | 12 | 260 | 258 | 328 | 499 | M12X28 |



MODELO RM-T2-4F-01500-160-36

Trifásicos
Hierro

1500RPM
4P

HP
15,00

INFORMACIÓN GENERAL

| | |
|---------|-----------------------|
| Sku | RM-T2-4F-01500-160-36 |
| EAN13 | 7428325601000 |
| Tipo | Trifásico |
| Carcasa | 160M |
| Polos | 4 |

INFORMACIÓN FÍSICA

| | |
|----------------|-------------|
| Dimensiones-mm | 700*420*550 |
| Peso-kg | 116 |
| Material | Hierro |

LOGÍSTICA

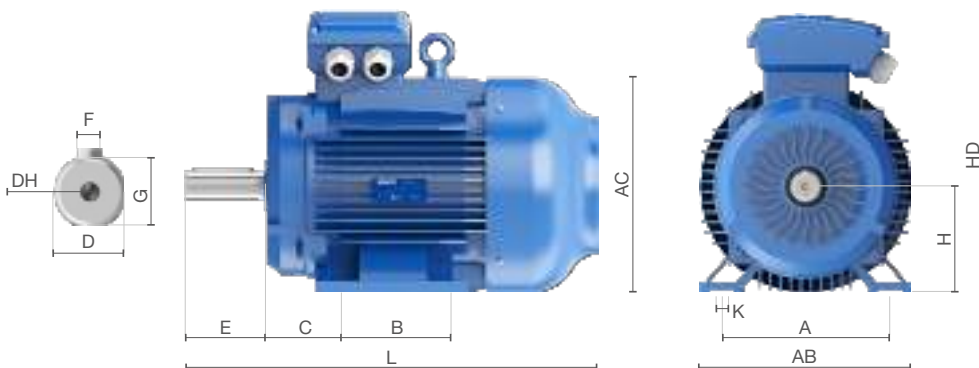
| | |
|----------------------|-------------|
| Material-of-unit-box | wooden case |
| size-of-unitbox | 700*420*550 |
| size-of-woden-case | 700*420*550 |

INFORMACIÓN ELÉCTRICA

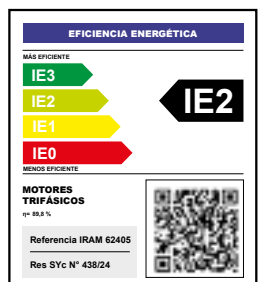
| | |
|--------------------------|-----------|
| RPM | 1500RPM |
| Eficiencia (S) | 2 |
| Tensión (V) | 380/660V |
| Hz | 50Hz |
| Factor de Potencia (cos) | 0,83 |
| Potencia-HP | 15,00 |
| Potencia-kW | 11,00 |
| EFF-N | 89,8 |
| Corriente-A | 22.4/12.9 |
| dBA | 73 |
| Capacitor-UF-monofásicos | No Aplica |
| Aislamiento-ISOL | No Aplica |

CERTIFICACIONES

| | |
|-----------|----------|
| IP | IP55 |
| Norma-IEC | IEC60034 |
| Norma-ISO | ISO9001 |



RM-T2-4F-01500-160-36



| A | A/2 | B | C | D | E | F | G | H | K | AB | AC | HD | L | DH |
|-----|-----|-----|-----|----|-----|----|----|-----|----|-----|-----|-----|-----|--------|
| 254 | 127 | 210 | 108 | 42 | 110 | 12 | 37 | 160 | 15 | 314 | 314 | 415 | 615 | M16X36 |



MODELO RM-T2-4F-02000-160-36

Trifásicos
Hierro

1500RPM
4P

HP
15,00

INFORMACIÓN GENERAL

| | |
|---------|-----------------------|
| Sku | RM-T2-4F-02000-160-36 |
| EAN13 | 7428325601017 |
| Tipo | Trifásico |
| Carcasa | 160L |
| Polos | 4 |

INFORMACIÓN FÍSICA

| | |
|----------------|-------------|
| Dimensiones-mm | 740*420*550 |
| Peso-kg | 136 |
| Material | Hierro |

LOGÍSTICA

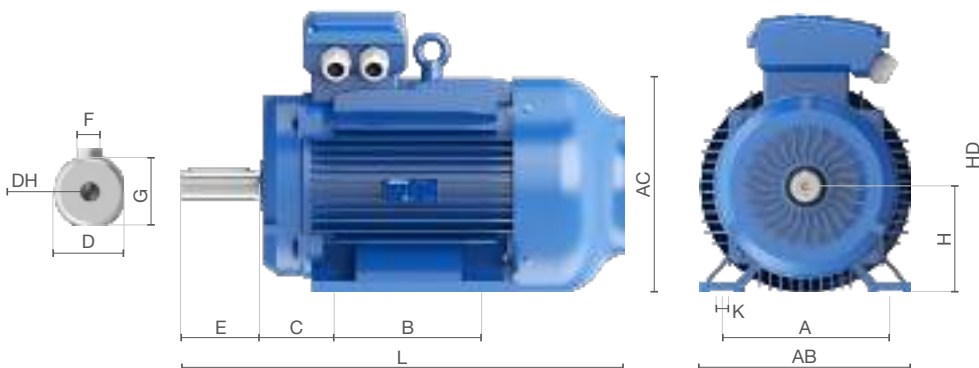
| | |
|----------------------|-------------|
| Material-of-unit-box | wooden case |
| size-of-unitbox | 740*420*550 |
| size-of-woden-case | 740*420*550 |

INFORMACIÓN ELÉCTRICA

| | |
|--------------------------|-----------|
| RPM | 1500RPM |
| Eficiencia (S) | 2 |
| Tensión (V) | 380/660V |
| Hz | 50Hz |
| Factor de Potencia (cos) | 0,84 |
| Potencia-HP | 20,00 |
| Potencia-kW | 15,00 |
| EFF-N | 90,6 |
| Corriente-A | 29.9/17.2 |
| dBA | 73 |
| Capacitor-UF-monofásicos | No Aplica |
| Aislamiento-ISOL | No Aplica |

CERTIFICACIONES

| | |
|-----------|----------|
| IP | IP55 |
| Norma-IEC | IEC60034 |
| Norma-ISO | ISO9001 |



RONIN

RM-T2-4F-02000-160-36



| A | A/2 | B | C | D | E | F | G | H | K | AB | AC | HD | L | DH |
|-----|-----|-----|-----|----|-----|----|----|-----|----|-----|-----|-----|-----|--------|
| 254 | 127 | 254 | 108 | 42 | 110 | 12 | 37 | 160 | 15 | 314 | 314 | 415 | 660 | M16X36 |



MODELO RM-T2-4F-02500-180-36

Trifásicos
Hierro

1500RPM
4P

HP
25,00

INFORMACIÓN GENERAL

| | |
|---------|-----------------------|
| Skü | RM-T2-4F-02500-180-36 |
| EAN13 | 7428325601024 |
| Tipo | Trifásico |
| Carcasa | 180M |
| Polos | 4 |

INFORMACIÓN FÍSICA

| | |
|----------------|-------------|
| Dimensiones-mm | 770*450*590 |
| Peso-kg | 191 |
| Material | Hierro |

LOGÍSTICA

| | |
|----------------------|-------------|
| Material-of-unit-box | wooden case |
| size-of-unitbox | 770*450*590 |
| size-of-woden-case | 770*450*590 |

INFORMACIÓN ELÉCTRICA

| | |
|--------------------------|-----------|
| RPM | 1500RPM |
| Eficiencia (S) | 2 |
| Tensión (V) | 380/660V |
| Hz | 50Hz |
| Factor de Potencia (cos) | 0,85 |
| Potencia-HP | 25,00 |
| Potencia-kW | 18,50 |
| EFF-N | 91,2 |
| Corriente-A | 36.3/20.9 |
| dBA | 76 |
| Capacitor-UF-monofásicos | No Aplica |
| Aislamiento-ISOL | No Aplica |

CERTIFICACIONES

| | |
|-----------|----------|
| IP | IP55 |
| Norma-IEC | IEC60034 |
| Norma-ISO | ISO9001 |



RM-T2-4F-02500-180-36



| A | A/2 | B | C | D | E | F | G | H | K | AB | AC | HD | L | DH |
|-----|-------|-----|-----|----|-----|----|------|-----|----|-----|-----|-----|-----|--------|
| 279 | 139.5 | 241 | 121 | 48 | 110 | 14 | 42.5 | 180 | 15 | 355 | 356 | 450 | 700 | M16X36 |



MODELO RM-T2-4F-03000-180-36

Trifásicos
Hierro

1500RPM
4P

HP
30,00

INFORMACIÓN GENERAL

| | |
|---------|-----------------------|
| Sku | RM-T2-4F-03000-180-36 |
| EAN13 | 7428325601031 |
| Tipo | Trifásico |
| Carcasa | 180L |
| Polos | 4 |

INFORMACIÓN FÍSICA

| | |
|----------------|-------------|
| Dimensiones-mm | 810*450*590 |
| Peso-kg | 214 |
| Material | Hierro |

LOGÍSTICA

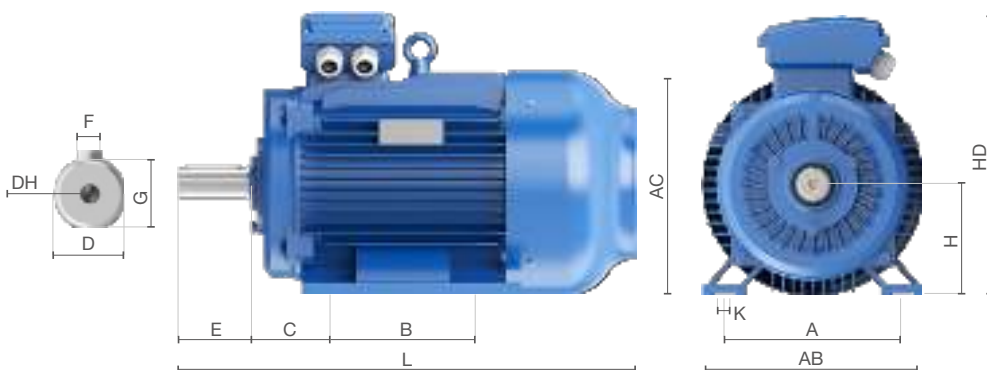
| | |
|----------------------|-------------|
| Material-of-unit-box | wooden case |
| size-of-unitbox | 810*450*590 |
| size-of-woden-case | 810*450*590 |

INFORMACIÓN ELÉCTRICA

| | |
|--------------------------|-----------|
| RPM | 1500RPM |
| Eficiencia (S) | 2 |
| Tensión (V) | 380/660V |
| Hz | 50Hz |
| Factor de Potencia (cos) | 0,85 |
| Potencia-HP | 30,00 |
| Potencia-kW | 22,00 |
| EFF-N | 91,6 |
| Corriente-A | 42.9/24.7 |
| dBA | 76 |
| Capacitor-UF-monofásicos | No Aplica |
| Aislamiento-ISOL | No Aplica |

CERTIFICACIONES

| | |
|-----------|----------|
| IP | IP55 |
| Norma-IEC | IEC60034 |
| Norma-ISO | ISO9001 |



RM-T2-4F-03000-180-36



| A | A/2 | B | C | D | E | F | G | H | K | AB | AC | HD | L | DH |
|-----|-------|-----|-----|----|-----|----|------|-----|----|-----|-----|-----|-----|--------|
| 279 | 139.5 | 279 | 121 | 48 | 110 | 14 | 42.5 | 180 | 15 | 355 | 356 | 450 | 740 | M16X36 |



MODELO RM-T2-4F-04000-200-36

Trifásicos
Hierro

1500RPM
4P

HP
40,00

INFORMACIÓN GENERAL

| | |
|---------|-----------------------|
| Sku | RM-T2-4F-04000-200-36 |
| EAN13 | 7428325601048 |
| Tipo | Trifásico |
| Carcasa | 200L |
| Polos | 4 |

INFORMACIÓN FÍSICA

| | |
|----------------|-------------|
| Dimensiones-mm | 870*500*670 |
| Peso-kg | 265 |
| Material | Hierro |

LOGÍSTICA

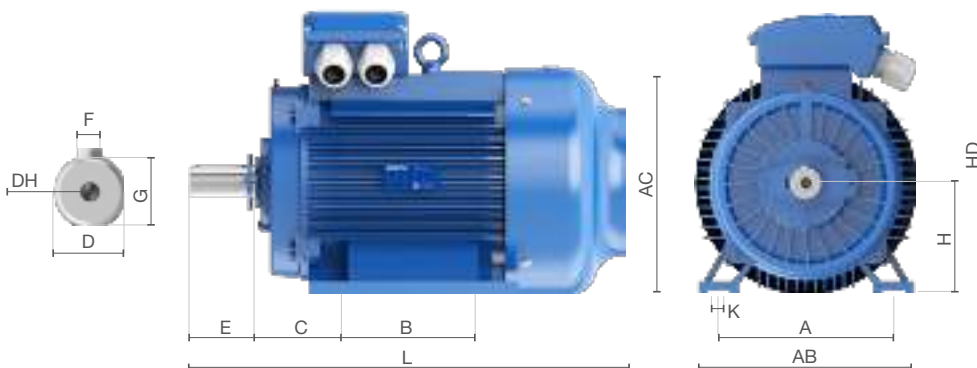
| | |
|----------------------|-------------|
| Material-of-unit-box | wooden case |
| size-of-unitbox | 870*500*670 |
| size-of-woden-case | 870*500*670 |

INFORMACIÓN ELÉCTRICA

| | |
|--------------------------|-----------|
| RPM | 1500RPM |
| Eficiencia (S) | 2 |
| Tensión (V) | 380/660V |
| Hz | 50Hz |
| Factor de Potencia (cos) | 0,85 |
| Potencia-HP | 40,00 |
| Potencia-kW | 30,00 |
| EFF-N | 92,3 |
| Corriente-A | 58.1/33.5 |
| dBA | 76 |
| Capacitor-UF-monofásicos | No Aplica |
| Aislamiento-ISOL | No Aplica |

CERTIFICACIONES

| | |
|-----------|----------|
| IP | IP55 |
| Norma-IEC | IEC60034 |
| Norma-ISO | ISO9001 |



RONIN

RM-T2-4F-04000-200-36



| A | A/2 | B | C | D | E | F | G | H | K | AB | AC | HD | L | DH |
|-----|-----|-----|-----|----|-----|----|----|-----|----|-----|-----|-----|-----|--------|
| 318 | 159 | 305 | 133 | 55 | 110 | 16 | 49 | 200 | 19 | 395 | 397 | 502 | 770 | M20X42 |



MODELO RM-T2-4F-05000-225-36

Trifásicos
Hierro

1500RPM
4P

HP
50,00

INFORMACIÓN GENERAL

| | |
|---------|-----------------------|
| Sku | RM-T2-4F-05000-225-36 |
| EAN13 | 7428325601055 |
| Tipo | Trifásico |
| Carcasa | 225S |
| Polos | 4 |

INFORMACIÓN FÍSICA

| | |
|----------------|-------------|
| Dimensiones-mm | 920*550*700 |
| Peso-kg | 322 |
| Material | Hierro |

LOGÍSTICA

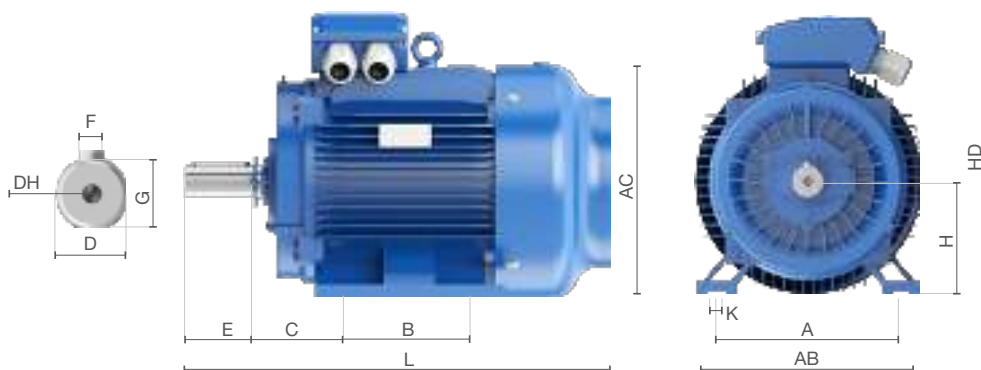
| | |
|----------------------|-------------|
| Material-of-unit-box | wooden case |
| size-of-unitbox | 920*550*700 |
| size-of-woden-case | 920*550*700 |

INFORMACIÓN ELÉCTRICA

| | |
|--------------------------|-----------|
| RPM | 1500RPM |
| Eficiencia (S) | 2 |
| Tensión (V) | 380/660V |
| Hz | 50Hz |
| Factor de Potencia (cos) | 0,86 |
| Potencia-HP | 50,00 |
| Potencia-kW | 37,00 |
| EFF-N | 92,7 |
| Corriente-A | 70.5/40.6 |
| dBA | 78 |
| Capacitor-UF-monofásicos | No Aplica |
| Aislamiento-ISOL | No Aplica |

CERTIFICACIONES

| | |
|-----------|----------|
| IP | IP55 |
| Norma-IEC | IEC60034 |
| Norma-ISO | ISO9001 |



| A | A/2 | B | C | D | E | F | G | H | K | AB | AC | HD | L | DH |
|-----|-----|-----|-----|----|-----|----|----|-----|----|-----|-----|-----|-----|--------|
| 356 | 178 | 286 | 149 | 60 | 140 | 18 | 53 | 225 | 19 | 435 | 445 | 548 | 815 | M20X42 |



MODELO RM-T2-4F-06000-225-36

Trifásicos
Hierro

1500RPM
4P

HP
60,00

INFORMACIÓN GENERAL

| | |
|---------|-----------------------|
| Sku | RM-T2-4F-06000-225-36 |
| EAN13 | 7428325601062 |
| Tipo | Trifásico |
| Carcasa | 225M |
| Polos | 4 |

INFORMACIÓN FÍSICA

| | |
|----------------|-------------|
| Dimensiones-mm | 950*550*700 |
| Peso-kg | - |
| Material | Hierro |

LOGÍSTICA

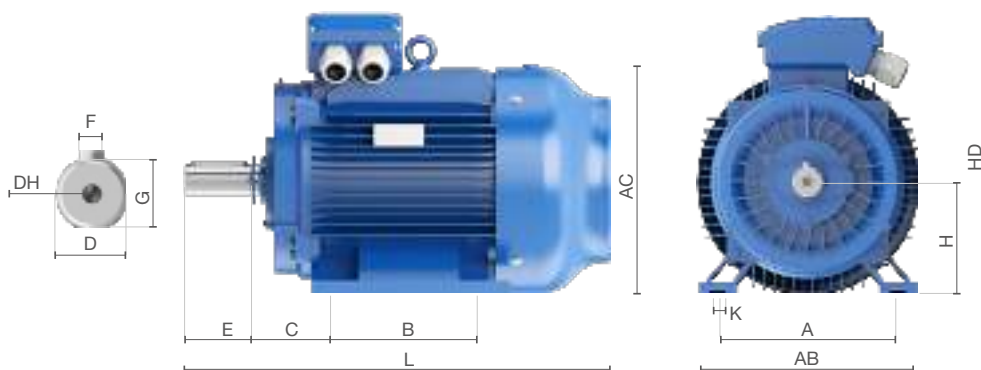
| | |
|----------------------|-------------|
| Material-of-unit-box | wooden case |
| size-of-unitbox | 950*550*700 |
| size-of-woden-case | 950*550*700 |

INFORMACIÓN ELÉCTRICA

| | |
|--------------------------|-----------|
| RPM | 1500RPM |
| Eficiencia (S) | 2 |
| Tensión (V) | 380/660V |
| Hz | 50Hz |
| Factor de Potencia (cos) | 0,86 |
| Potencia-HP | 60,00 |
| Potencia-kW | 45,00 |
| EFF-N | 93,1 |
| Corriente-A | 85.4/49.2 |
| dBA | 78 |
| Capacitor-UF-monofásicos | No Aplica |
| Aislamiento-ISOL | No Aplica |

CERTIFICACIONES

| | |
|-----------|----------|
| IP | IP55 |
| Norma-IEC | IEC60034 |
| Norma-ISO | ISO9001 |



| A | A/2 | B | C | D | E | F | G | H | K | AB | AC | HD | L | DH |
|-----|-----|-----|-----|----|-----|----|----|-----|----|-----|-----|-----|-----|--------|
| 356 | 178 | 311 | 149 | 60 | 140 | 18 | 53 | 225 | 19 | 435 | 445 | 548 | 845 | M20X42 |



MODELO RM-T2-4F-07500-250-36

Trifásicos
Hierro

1500RPM
4P

HP
75,00

INFORMACIÓN GENERAL

| | |
|---------|-----------------------|
| Sku | RM-T2-4F-07500-250-36 |
| EAN13 | 7428325601079 |
| Tipo | Trifásico |
| Carcasa | 250M |
| Polos | 4 |

INFORMACIÓN FÍSICA

| | |
|----------------|--------------|
| Dimensiones-mm | 1020*590*790 |
| Peso-kg | - |
| Material | Hierro |

LOGÍSTICA

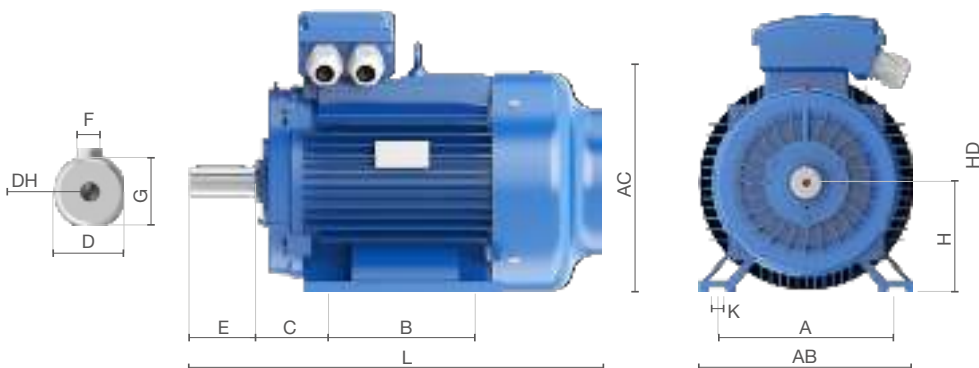
| | |
|----------------------|--------------|
| Material-of-unit-box | wooden case |
| size-of-unitbox | 1020*590*790 |
| size-of-woden-case | 1020*590*790 |

INFORMACIÓN ELÉCTRICA

| | |
|--------------------------|-----------|
| RPM | 1500RPM |
| Eficiencia (S) | 2 |
| Tensión (V) | 380/660V |
| Hz | 50Hz |
| Factor de Potencia (cos) | 0,86 |
| Potencia-HP | 75,00 |
| Potencia-kW | 55,00 |
| EFF-N | 93,5 |
| Corriente-A | 104/59.8 |
| dBA | 79 |
| Capacitor-UF-monofásicos | No Aplica |
| Aislamiento-ISOL | No Aplica |

CERTIFICACIONES

| | |
|-----------|----------|
| IP | IP55 |
| Norma-IEC | IEC60034 |
| Norma-ISO | ISO9001 |



| A | A/2 | B | C | D | E | F | G | H | K | AB | AC | HD | L | DH |
|-----|-----|-----|-----|----|-----|----|----|-----|----|-----|-----|-----|-----|--------|
| 406 | 203 | 349 | 168 | 65 | 140 | 18 | 58 | 250 | 24 | 490 | 485 | 622 | 920 | M20X42 |



MODELO RM-T2-4F-10000-280-36

Trifásicos
Hierro

1500RPM
4P

HP
100,00

INFORMACIÓN GENERAL

| | |
|---------|-----------------------|
| Skü | RM-T2-4F-10000-280-36 |
| EAN13 | 7428325601086 |
| Tipo | Trifásico |
| Carcasa | 280S |
| Polos | 4 |

INFORMACIÓN FÍSICA

| | |
|----------------|--------------|
| Dimensiones-mm | 1100*650*850 |
| Peso-kg | - |
| Material | Hierro |

LOGÍSTICA

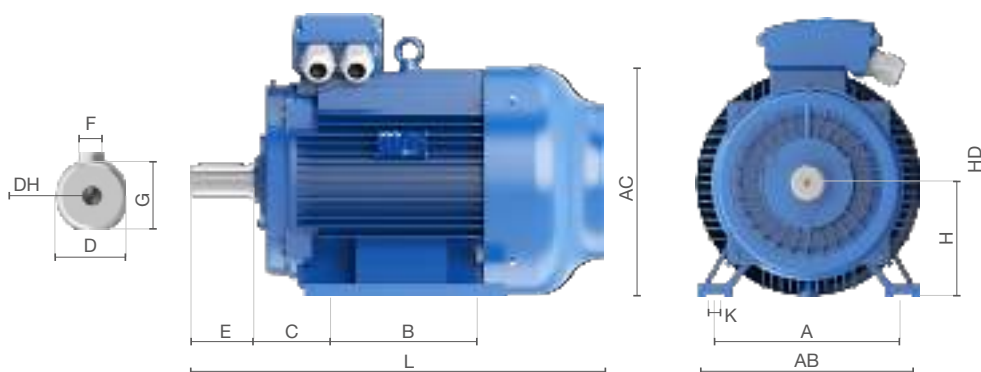
| | |
|----------------------|--------------|
| Material-of-unit-box | wooden case |
| size-of-unitbox | 1100*650*850 |
| size-of-woden-case | 1100*650*850 |

INFORMACIÓN ELÉCTRICA

| | |
|--------------------------|-----------|
| RPM | 1500RPM |
| Eficiencia (S) | 2 |
| Tensión (V) | 380/660V |
| Hz | 50Hz |
| Factor de Potencia (cos) | 0,87 |
| Potencia-HP | 100,00 |
| Potencia-kW | 75,00 |
| EFF-N | 94,0 |
| Corriente-A | 139/80.2 |
| dBA | 80 |
| Capacitor-UF-monofásicos | No Aplica |
| Aislamiento-ISOL | No Aplica |

CERTIFICACIONES

| | |
|-----------|----------|
| IP | IP55 |
| Norma-IEC | IEC60034 |
| Norma-ISO | ISO9001 |



| A | A/2 | B | C | D | E | F | G | H | K | AB | AC | HD | L | DH |
|-----|-------|-----|-----|----|-----|----|------|-----|----|-----|-----|-----|-----|--------|
| 457 | 228.5 | 368 | 190 | 75 | 140 | 20 | 67.5 | 280 | 24 | 542 | 546 | 670 | 991 | M20X42 |



MODELO RM-T2-4F-12500-280-36

Trifásicos
Hierro

1500RPM
4P

HP
125,00

INFORMACIÓN GENERAL

| | |
|---------|-----------------------|
| Skü | RM-T2-4F-12500-280-36 |
| EAN13 | 7428325601093 |
| Tipo | Trifásico |
| Carcasa | 280M |
| Polos | 4 |

INFORMACIÓN FÍSICA

| | |
|----------------|--------------|
| Dimensiones-mm | 1150*650*850 |
| Peso-kg | - |
| Material | Hierro |

LOGÍSTICA

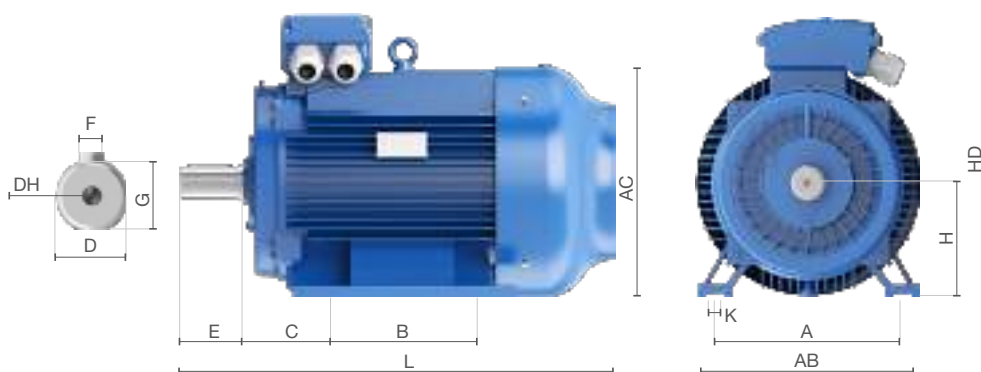
| | |
|----------------------|--------------|
| Material-of-unit-box | wooden case |
| size-of-unitbox | 1150*650*850 |
| size-of-woden-case | 1150*650*850 |

INFORMACIÓN ELÉCTRICA

| | |
|--------------------------|-----------|
| RPM | 1500RPM |
| Eficiencia (S) | 2 |
| Tensión (V) | 380/660V |
| Hz | 50Hz |
| Factor de Potencia (cos) | 0,88 |
| Potencia-HP | 125,00 |
| Potencia-kW | 90,00 |
| EFF-N | 94,2 |
| Corriente-A | 165/95 |
| dBA | 80 |
| Capacitor-UF-monofásicos | No Aplica |
| Aislamiento-ISOL | No Aplica |

CERTIFICACIONES

| | |
|-----------|----------|
| IP | IP55 |
| Norma-IEC | IEC60034 |
| Norma-ISO | ISO9001 |



| A | A/2 | B | C | D | E | F | G | H | K | AB | AC | HD | L | DH |
|-----|-------|-----|-----|----|-----|----|------|-----|----|-----|-----|-----|------|--------|
| 457 | 228.5 | 419 | 190 | 75 | 140 | 20 | 67.5 | 280 | 24 | 542 | 546 | 670 | 1046 | M20X42 |



MODELO RM-T2-4F-15000-315-36

Trifásicos
Hierro

1500RPM
4P

HP
150,00

INFORMACIÓN GENERAL

| | |
|---------|-----------------------|
| Sku | RM-T2-4F-15000-315-36 |
| EAN13 | 7428325601109 |
| Tipo | Trifásico |
| Carcasa | 315S |
| Polos | 4 |

INFORMACIÓN FÍSICA

| | |
|----------------|---------------|
| Dimensiones-mm | 1350*750*1040 |
| Peso-kg | - |
| Material | Hierro |

LOGÍSTICA

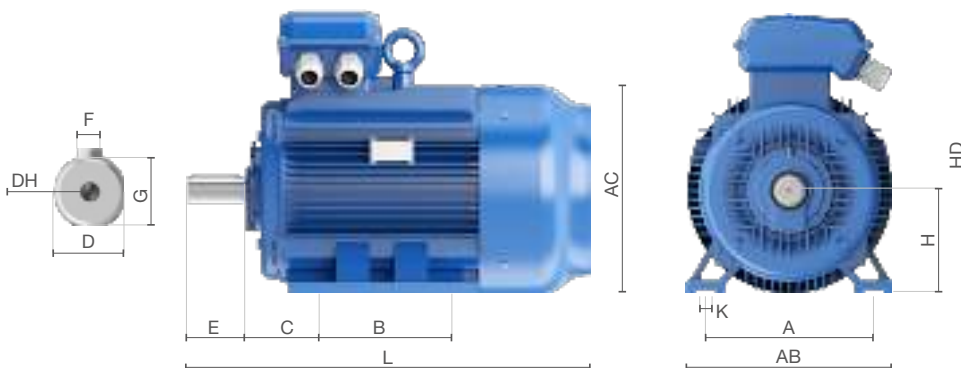
| | |
|----------------------|---------------|
| Material-of-unit-box | wooden case |
| size-of-unitbox | 1350*750*1040 |
| size-of-woden-case | 1350*750*1040 |

INFORMACIÓN ELÉCTRICA

| | |
|--------------------------|-----------|
| RPM | 1500RPM |
| Eficiencia (S) | 2 |
| Tensión (V) | 380/660V |
| Hz | 50Hz |
| Factor de Potencia (cos) | 0,89 |
| Potencia-HP | 150,00 |
| Potencia-kW | 110,00 |
| EFF-N | 94,5 |
| Corriente-A | 199/114 |
| dBA | 88 |
| Capacitor-UF-monofásicos | No Aplica |
| Aislamiento-ISOL | No Aplica |

CERTIFICACIONES

| | |
|-----------|----------|
| IP | IP55 |
| Norma-IEC | IEC60034 |
| Norma-ISO | ISO9001 |



| A | A/2 | B | C | D | E | F | G | H | K | AB | AC | HD | L | DH |
|-----|-----|-----|-----|----|-----|----|----|-----|----|-----|-----|-----|------|--------|
| 508 | 254 | 406 | 216 | 80 | 170 | 22 | 71 | 315 | 28 | 628 | 620 | 855 | 1220 | M20X42 |



MODELO RM-T2-4F-17500-315-36

Trifásicos
Hierro

1500RPM
4P

HP
175,00

INFORMACIÓN GENERAL

| | |
|---------|-----------------------|
| Skü | RM-T2-4F-17500-315-36 |
| EAN13 | 7428325601116 |
| Tipo | Trifásico |
| Carcasa | 315M |
| Polos | 4 |

INFORMACIÓN FÍSICA

| | |
|----------------|---------------|
| Dimensiones-mm | 1450*750*1040 |
| Peso-kg | - |
| Material | Hierro |

LOGÍSTICA

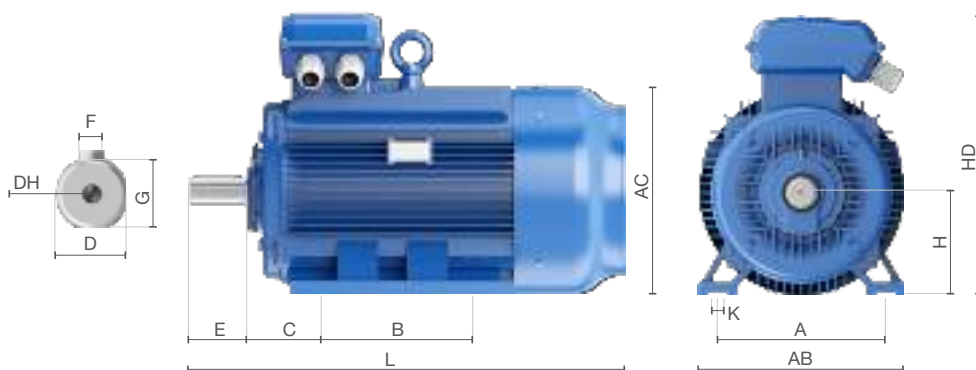
| | |
|----------------------|---------------|
| Material-of-unit-box | wooden case |
| size-of-unitbox | 1450*750*1040 |
| size-of-woden-case | 1450*750*1040 |

INFORMACIÓN ELÉCTRICA

| | |
|--------------------------|-----------|
| RPM | 1500RPM |
| Eficiencia (S) | 2 |
| Tensión (V) | 380/660V |
| Hz | 50Hz |
| Factor de Potencia (cos) | 0,89 |
| Potencia-HP | 175,00 |
| Potencia-kW | 132,00 |
| EFF-N | 94,7 |
| Corriente-A | 238/137 |
| dBA | 88 |
| Capacitor-UF-monofásicos | No Aplica |
| Aislamiento-ISOL | No Aplica |

CERTIFICACIONES

| | |
|-----------|----------|
| IP | IP55 |
| Norma-IEC | IEC60034 |
| Norma-ISO | ISO9001 |



| A | A/2 | B | C | D | E | F | G | H | K | AB | AC | HD | L | DH |
|-----|-----|-----|-----|----|-----|----|----|-----|----|-----|-----|-----|------|--------|
| 508 | 254 | 457 | 216 | 80 | 170 | 22 | 71 | 315 | 28 | 628 | 620 | 855 | 1325 | M20X42 |



MODELO RM-T2-4F-22000-315-36

Trifásicos
Hierro

1500RPM
4P

HP
220,00

INFORMACIÓN GENERAL

| | |
|---------|-----------------------|
| Sku | RM-T2-4F-22000-315-36 |
| EAN13 | 7428325601123 |
| Tipo | Trifásico |
| Carcasa | 315L1 |
| Polos | 4 |

INFORMACIÓN FÍSICA

| | |
|----------------|---------------|
| Dimensiones-mm | 1450*750*1040 |
| Peso-kg | - |
| Material | Hierro |

LOGÍSTICA

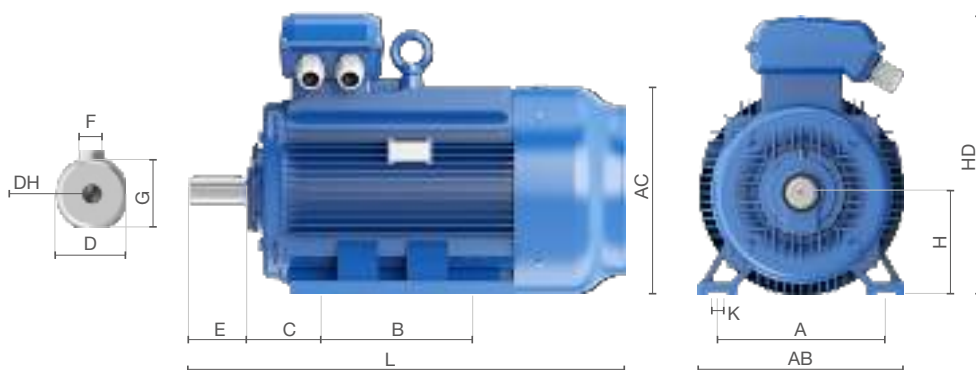
| | |
|----------------------|---------------|
| Material-of-unit-box | wooden case |
| size-of-unitbox | 1450*750*1040 |
| size-of-woden-case | 1450*750*1040 |

INFORMACIÓN ELÉCTRICA

| | |
|--------------------------|-----------|
| RPM | 1500RPM |
| Eficiencia (S) | 2 |
| Tensión (V) | 380/660V |
| Hz | 50Hz |
| Factor de Potencia (cos) | 0,9 |
| Potencia-HP | 220,00 |
| Potencia-kW | 160,00 |
| EFF-N | 94,9 |
| Corriente-A | 285/164 |
| dBA | 88 |
| Capacitor-UF-monofásicos | No Aplica |
| Aislamiento-ISOL | No Aplica |

CERTIFICACIONES

| | |
|-----------|----------|
| IP | IP55 |
| Norma-IEC | IEC60034 |
| Norma-ISO | ISO9001 |



| A | A/2 | B | C | D | E | F | G | H | K | AB | AC | HD | L | DH |
|-----|-----|-----|-----|----|-----|----|----|-----|----|-----|-----|-----|------|--------|
| 508 | 254 | 457 | 216 | 80 | 170 | 22 | 71 | 315 | 28 | 628 | 620 | 855 | 1325 | M20X42 |



MODELO RM-T2-6F-00050-801-23

Trifásicos
Hierro

1000RPM
6P

HP
0,50

INFORMACIÓN GENERAL

| | |
|---------|-----------------------|
| Sku | RM-T2-6F-00050-801-23 |
| EAN13 | 7428325601130 |
| Tipo | Trifásico |
| Carcasa | 801 |
| Polos | 6 |

INFORMACIÓN FÍSICA

| | |
|----------------|-------------|
| Dimensiones-mm | 320*220*260 |
| Peso-kg | - |
| Material | Hierro |

LOGÍSTICA

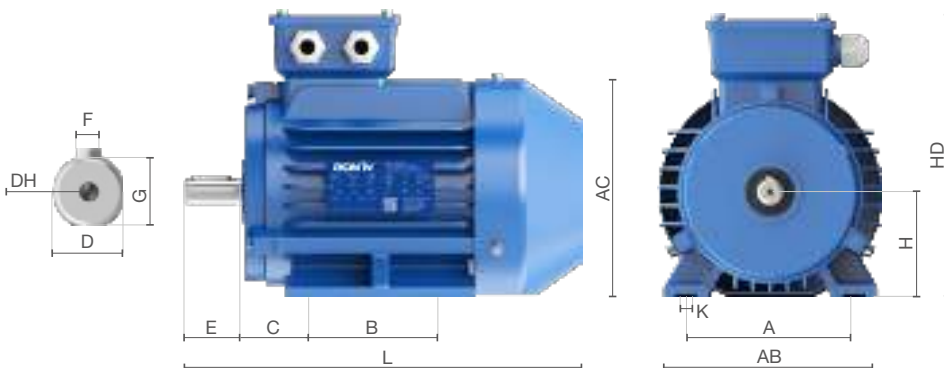
| | |
|----------------------|---------------|
| Material-of-unit-box | carton |
| size-of-unitbox | 1150*850*1030 |
| size-of-woden-case | 1150*850*1030 |

INFORMACIÓN ELÉCTRICA

| | |
|--------------------------|-----------|
| RPM | 1000RPM |
| Eficiencia (S) | 2 |
| Tensión (V) | 220/380V |
| Hz | 50Hz |
| Factor de Potencia (cos) | 0,71 |
| Potencia-HP | 0,50 |
| Potencia-kW | 0,37 |
| EFF-N | 67,6 |
| Corriente-A | 2/1.2 |
| dBA | 54 |
| Capacitor-UF-monofásicos | No Aplica |
| Aislamiento-ISOL | No Aplica |

CERTIFICACIONES

| | |
|-----------|----------|
| IP | IP55 |
| Norma-IEC | IEC60034 |
| Norma-ISO | ISO9001 |



RONIN
RM-T2-6F-00050-801-23



| A | A/2 | B | C | D | E | F | G | H | K | AB | AC | HD | L | DH |
|-----|------|-----|----|----|----|---|------|----|----|-----|-----|-----|-----|-------|
| 125 | 62.5 | 100 | 50 | 19 | 40 | 6 | 15.5 | 80 | 10 | 153 | 157 | 220 | 295 | M6X16 |



MODELO RM-T2-6F-00075-802-23

Trifásicos
Hierro

1000RPM
6P

HP
0,75

INFORMACIÓN GENERAL

| | |
|---------|-----------------------|
| Sku | RM-T2-6F-00075-802-23 |
| EAN13 | 7428325601147 |
| Tipo | Trifásico |
| Carcasa | 802 |
| Polos | 6 |

INFORMACIÓN FÍSICA

| | |
|----------------|-------------|
| Dimensiones-mm | 320*220*260 |
| Peso-kg | - |
| Material | Hierro |

LOGÍSTICA

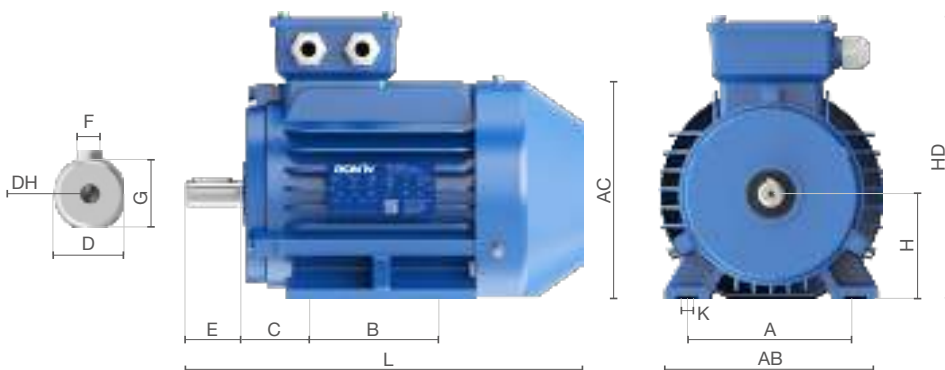
| | |
|----------------------|---------------|
| Material-of-unit-box | carton |
| size-of-unitbox | 1150*850*1030 |
| size-of-woden-case | 1150*850*1030 |

INFORMACIÓN ELÉCTRICA

| | |
|--------------------------|-----------|
| RPM | 1000RPM |
| Eficiencia (S) | 2 |
| Tensión (V) | 220/380V |
| Hz | 50Hz |
| Factor de Potencia (cos) | 0,71 |
| Potencia-HP | 0,75 |
| Potencia-kW | 0,55 |
| EFF-N | 73,1 |
| Corriente-A | 2.8/1.6 |
| dBA | 54 |
| Capacitor-UF-monofásicos | No Aplica |
| Aislamiento-ISOL | No Aplica |

CERTIFICACIONES

| | |
|-----------|----------|
| IP | IP55 |
| Norma-IEC | IEC60034 |
| Norma-ISO | ISO9001 |



RM-T2-6F-00075-802-23



| A | A/2 | B | C | D | E | F | G | H | K | AB | AC | HD | L | DH |
|-----|------|-----|----|----|----|---|------|----|----|-----|-----|-----|-----|-------|
| 125 | 62.5 | 100 | 50 | 19 | 40 | 6 | 15.5 | 80 | 10 | 153 | 157 | 220 | 295 | M6X16 |



MODELO RM-T2-6F-00100-90S-23

Trifásicos
Hierro

1000RPM
6P

HP
1,00

INFORMACIÓN GENERAL

| | |
|---------|-----------------------|
| Skü | RM-T2-6F-00100-90S-23 |
| EAN13 | 7428325601154 |
| Tipo | Trifásico |
| Carcasa | 90S |
| Polos | 6 |

INFORMACIÓN FÍSICA

| | |
|----------------|-------------|
| Dimensiones-mm | 355*210*260 |
| Peso-kg | - |
| Material | Hierro |

LOGÍSTICA

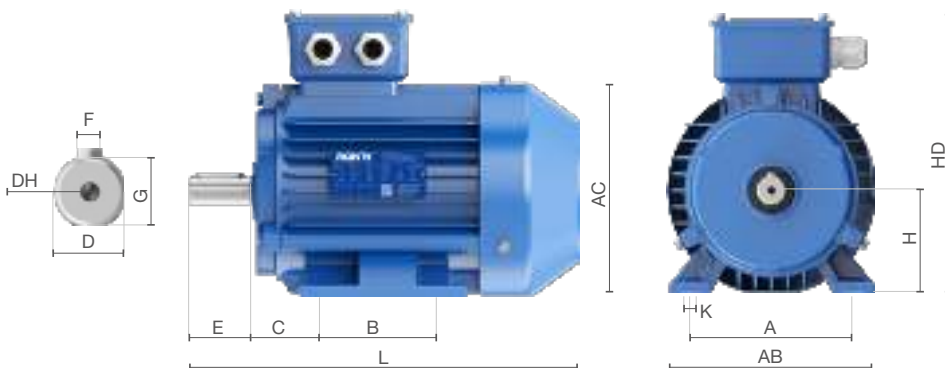
| | |
|----------------------|---------------|
| Material-of-unit-box | carton |
| size-of-unitbox | 1150*850*1030 |
| size-of-woden-case | 1150*850*1030 |

INFORMACIÓN ELÉCTRICA

| | |
|--------------------------|-----------|
| RPM | 1000RPM |
| Eficiencia (S) | 2 |
| Tensión (V) | 220/380V |
| Hz | 50Hz |
| Factor de Potencia (cos) | 0,71 |
| Potencia-HP | 1,00 |
| Potencia-kW | 0,75 |
| EFF-N | 75,9 |
| Corriente-A | 3.7/2.1 |
| dBA | 57 |
| Capacitor-UF-monofásicos | No Aplica |
| Aislamiento-ISOL | No Aplica |

CERTIFICACIONES

| | |
|-----------|----------|
| IP | IP55 |
| Norma-IEC | IEC60034 |
| Norma-ISO | ISO9001 |



RM-T2-6F-00100-90S-23



| A | A/2 | B | C | D | E | F | G | H | K | AB | AC | HD | L | DH |
|-----|-----|-----|----|----|----|---|----|----|----|-----|-----|-----|-----|-------|
| 140 | 70 | 100 | 56 | 24 | 50 | 8 | 20 | 90 | 10 | 177 | 177 | 240 | 327 | M8X19 |



MODELO RM-T2-6F-00150-90L-23

Trifásicos
Hierro

1000RPM
6P

HP
1,50

INFORMACIÓN GENERAL

| | |
|---------|-----------------------|
| Sku | RM-T2-6F-00150-90L-23 |
| EAN13 | 7428325601161 |
| Tipo | Trifásico |
| Carcasa | 90L |
| Polos | 6 |

INFORMACIÓN FÍSICA

| | |
|----------------|-------------|
| Dimensiones-mm | 380*210*260 |
| Peso-kg | 32 |
| Material | Hierro |

LOGÍSTICA

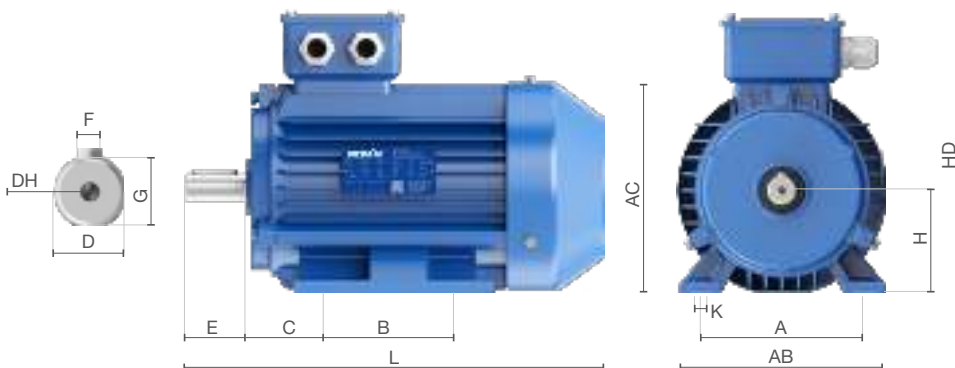
| | |
|----------------------|---------------|
| Material-of-unit-box | carton |
| size-of-unitbox | 380*210*260 |
| size-of-woden-case | 1150*850*1290 |

INFORMACIÓN ELÉCTRICA

| | |
|--------------------------|-----------|
| RPM | 1000RPM |
| Eficiencia (S) | 2 |
| Tensión (V) | 220/380V |
| Hz | 50Hz |
| Factor de Potencia (cos) | 0,72 |
| Potencia-HP | 1,50 |
| Potencia-kW | 1,10 |
| EFF-N | 78,1 |
| Corriente-A | 5.1/3 |
| dBA | 57 |
| Capacitor-UF-monofásicos | No Aplica |
| Aislamiento-ISOL | No Aplica |

CERTIFICACIONES

| | |
|-----------|----------|
| IP | IP55 |
| Norma-IEC | IEC60034 |
| Norma-ISO | ISO9001 |



RONIN

RM-T2-6F-00150-90L-23



| A | A/2 | B | C | D | E | F | G | H | K | AB | AC | HD | L | DH |
|-----|-----|-----|----|----|----|---|----|----|----|-----|-----|-----|-----|-------|
| 140 | 70 | 125 | 56 | 24 | 50 | 8 | 20 | 90 | 10 | 177 | 177 | 240 | 357 | M8X19 |



MODELO RM-T2-6F-00200-100-23

Trifásicos
Hierro

1000RPM
6P

HP
2,00

INFORMACIÓN GENERAL

| | |
|---------|-----------------------|
| Skü | RM-T2-6F-00200-100-23 |
| EAN13 | 7428325601178 |
| Tipo | Trifásico |
| Carcasa | 100L |
| Polos | 6 |

INFORMACIÓN FÍSICA

| | |
|----------------|-------------|
| Dimensiones-mm | 405*230*295 |
| Peso-kg | 41 |
| Material | Hierro |

LOGÍSTICA

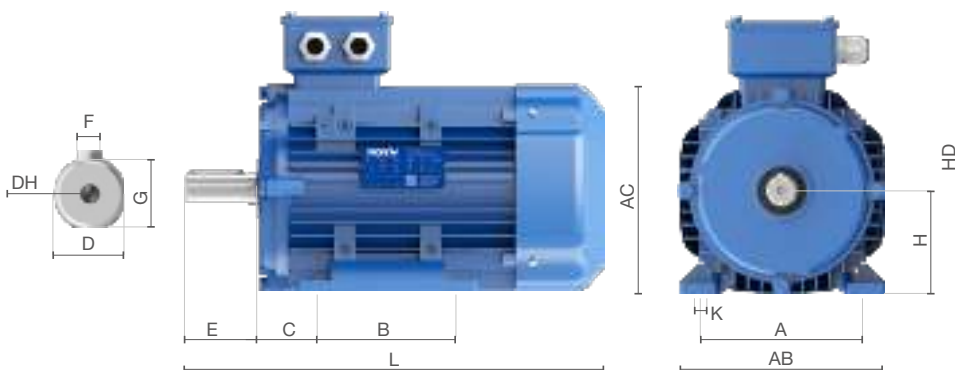
| | |
|----------------------|---------------|
| Material-of-unit-box | carton |
| size-of-unitbox | 405*230*295 |
| size-of-woden-case | 1150*820*1140 |

INFORMACIÓN ELÉCTRICA

| | |
|--------------------------|-----------|
| RPM | 1000RPM |
| Eficiencia (S) | 2 |
| Tensión (V) | 220/380V |
| Hz | 50Hz |
| Factor de Potencia (cos) | 0,72 |
| Potencia-HP | 2,00 |
| Potencia-kW | 1,50 |
| EFF-N | 79,8 |
| Corriente-A | 6.9/4 |
| dBA | 61 |
| Capacitor-UF-monofásicos | No Aplica |
| Aislamiento-ISOL | No Aplica |

CERTIFICACIONES

| | |
|-----------|----------|
| IP | IP55 |
| Norma-IEC | IEC60034 |
| Norma-ISO | ISO9001 |



RONIN

RM-T2-6F-00200-100-23



| A | A/2 | B | C | D | E | F | G | H | K | AB | AC | HD | L | DH |
|-----|-----|-----|----|----|----|---|----|----|----|-----|-----|-----|-----|--------|
| 160 | 80 | 140 | 63 | 28 | 60 | 8 | 24 | 10 | 12 | 196 | 197 | 267 | 403 | M10X22 |



MODELO RM-T2-6F-00300-112-23

Trifásicos
Hierro

1000RPM
6P

HP
3,00

INFORMACIÓN GENERAL

| | |
|---------|-----------------------|
| Skü | RM-T2-6F-00300-112-23 |
| EAN13 | 7428325601185 |
| Tipo | Trifásico |
| Carcasa | 112M |
| Polos | 6 |

INFORMACIÓN FÍSICA

| | |
|----------------|-------------|
| Dimensiones-mm | 420*245*310 |
| Peso-kg | 48 |
| Material | Hierro |

LOGÍSTICA

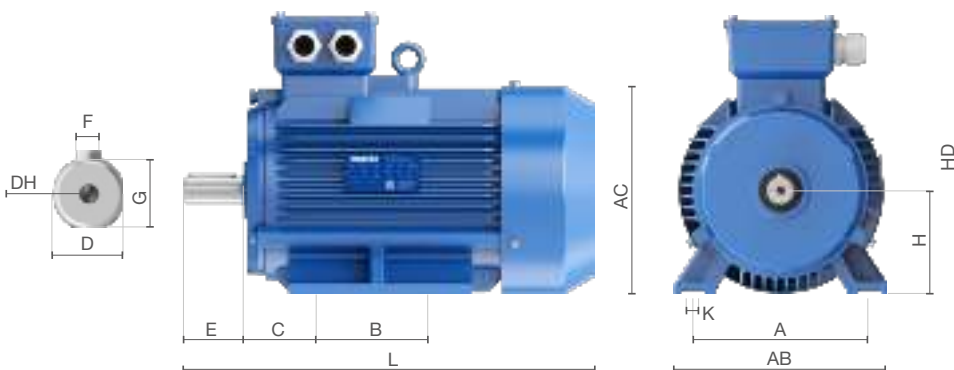
| | |
|----------------------|---------------|
| Material-of-unit-box | carton |
| size-of-unitbox | 420*245*310 |
| size-of-woden-case | 1112*992*1222 |

INFORMACIÓN ELÉCTRICA

| | |
|--------------------------|-----------|
| RPM | 1000RPM |
| Eficiencia (S) | 2 |
| Tensión (V) | 220/380V |
| Hz | 50Hz |
| Factor de Potencia (cos) | 0,72 |
| Potencia-HP | 3,00 |
| Potencia-kW | 2,20 |
| EFF-N | 81,8 |
| Corriente-A | 9.8/5.7 |
| dBA | 65 |
| Capacitor-UF-monofásicos | No Aplica |
| Aislamiento-ISOL | No Aplica |

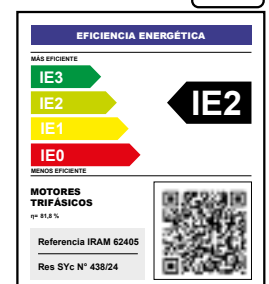
CERTIFICACIONES

| | |
|-----------|----------|
| IP | IP55 |
| Norma-IEC | IEC60034 |
| Norma-ISO | ISO9001 |



RON'N

RM-T2-6F-00300-112-23



| A | A/2 | B | C | D | E | F | G | H | K | AB | AC | HD | L | DH |
|-----|-----|-----|----|----|----|---|----|-----|----|-----|-----|-----|-----|--------|
| 190 | 95 | 140 | 70 | 28 | 60 | 8 | 24 | 112 | 12 | 226 | 219 | 289 | 430 | M10X22 |



MODELO RM-T2-6F-00400-132-23

Trifásicos
Hierro

1000RPM
6P

HP
4,00

INFORMACIÓN GENERAL

| | |
|---------|-----------------------|
| Sku | RM-T2-6F-00400-132-23 |
| EAN13 | 7428325601192 |
| Tipo | Trifásico |
| Carcasa | 132S |
| Polos | 6 |

INFORMACIÓN FÍSICA

| | |
|----------------|-------------|
| Dimensiones-mm | 530*330*400 |
| Peso-kg | 61 |
| Material | Hierro |

LOGÍSTICA

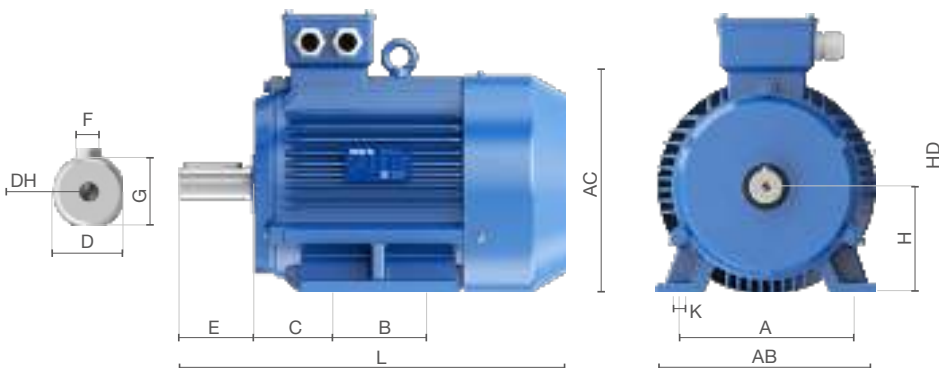
| | |
|----------------------|----------------|
| Material-of-unit-box | wooden case |
| size-of-unitbox | 530*330*400 |
| size-of-woden-case | 1150*1000*1340 |

INFORMACIÓN ELÉCTRICA

| | |
|--------------------------|-----------|
| RPM | 1000RPM |
| Eficiencia (S) | 2 |
| Tensión (V) | 220/380V |
| Hz | 50Hz |
| Factor de Potencia (cos) | 0,72 |
| Potencia-HP | 4,00 |
| Potencia-kW | 3,00 |
| EFF-N | 83,3 |
| Corriente-A | 13.1/7.6 |
| dBA | 69 |
| Capacitor-UF-monofásicos | No Aplica |
| Aislamiento-ISOL | No Aplica |

CERTIFICACIONES

| | |
|-----------|----------|
| IP | IP55 |
| Norma-IEC | IEC60034 |
| Norma-ISO | ISO9001 |



RONIN

RM-T2-6F-00400-132-23



| A | A/2 | B | C | D | E | F | G | H | K | AB | AC | HD | L | DH |
|-----|-----|-----|----|----|----|----|----|-----|----|-----|-----|-----|-----|--------|
| 216 | 108 | 178 | 89 | 38 | 80 | 10 | 33 | 132 | 12 | 260 | 258 | 328 | 499 | M12X28 |



MODELO RM-T2-6F-00550-132-36

Trifásicos
Hierro

1000RPM
6P

HP
5,50

INFORMACIÓN GENERAL

| | |
|---------|-----------------------|
| Sku | RM-T2-6F-00550-132-36 |
| EAN13 | 7428325601208 |
| Tipo | Trifásico |
| Carcasa | 132M1 |
| Polos | 6 |

INFORMACIÓN FÍSICA

| | |
|----------------|-------------|
| Dimensiones-mm | 570*330*400 |
| Peso-kg | 74 |
| Material | Hierro |

LOGÍSTICA

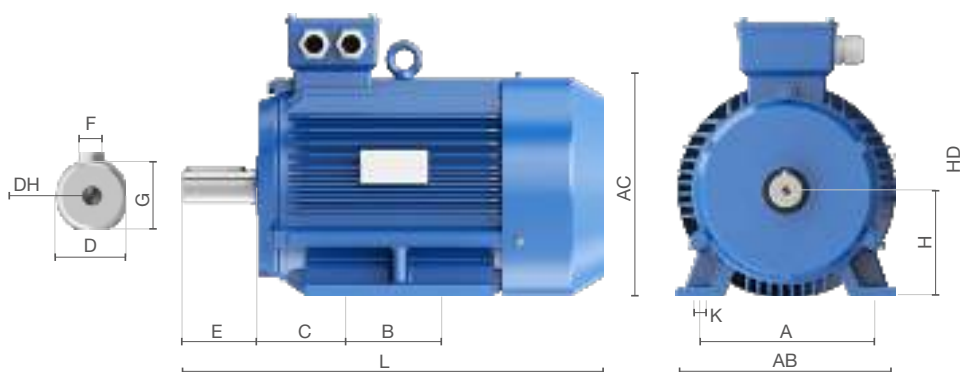
| | |
|----------------------|----------------|
| Material-of-unit-box | wooden case |
| size-of-unitbox | 570*330*400 |
| size-of-woden-case | 1150*1000*1340 |

INFORMACIÓN ELÉCTRICA

| | |
|--------------------------|-----------|
| RPM | 1000RPM |
| Eficiencia (S) | 2 |
| Tensión (V) | 380/660V |
| Hz | 50Hz |
| Factor de Potencia (cos) | 0,74 |
| Potencia-HP | 5,50 |
| Potencia-kW | 4,00 |
| EFF-N | 84,6 |
| Corriente-A | 9.7/5.6 |
| dBA | 69 |
| Capacitor-UF-monofásicos | No Aplica |
| Aislamiento-ISOL | No Aplica |

CERTIFICACIONES

| | |
|-----------|----------|
| IP | IP55 |
| Norma-IEC | IEC60034 |
| Norma-ISO | ISO9001 |



RONIN
RM-T2-6F-00550-132-36



| A | A/2 | B | C | D | E | F | G | H | K | AB | AC | HD | L | DH |
|-----|-----|-----|----|----|----|----|----|-----|----|-----|-----|-----|-----|--------|
| 216 | 108 | 178 | 89 | 38 | 80 | 10 | 33 | 132 | 12 | 260 | 258 | 328 | 499 | M12X28 |



MODELO RM-T2-6F-00750-132-36

Trifásicos
Hierro

1000RPM
6P

HP
7,50

INFORMACIÓN GENERAL

| | |
|---------|-----------------------|
| Sku | RM-T2-6F-00750-132-36 |
| EAN13 | 7428325601215 |
| Tipo | Trifásico |
| Carcasa | 132M2 |
| Polos | 6 |

INFORMACIÓN FÍSICA

| | |
|----------------|-------------|
| Dimensiones-mm | 570*330*400 |
| Peso-kg | 87 |
| Material | Hierro |

LOGÍSTICA

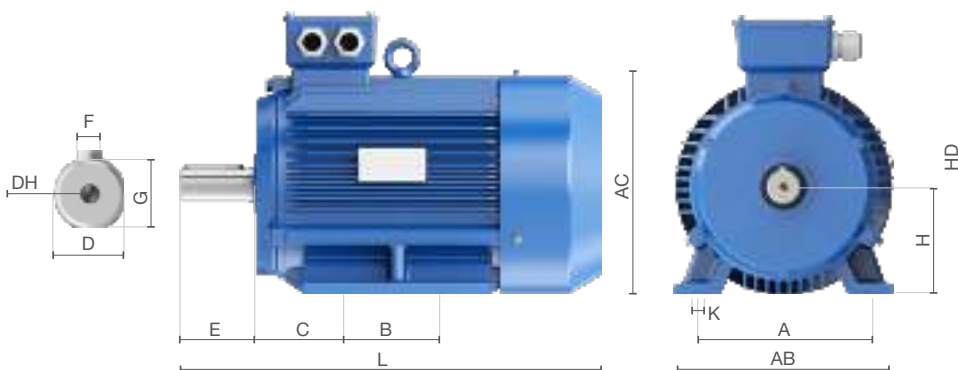
| | |
|----------------------|-------------|
| Material-of-unit-box | wooden case |
| size-of-unitbox | 570*330*400 |
| size-of-woden-case | 570*330*400 |

INFORMACIÓN ELÉCTRICA

| | |
|--------------------------|-----------|
| RPM | 1000RPM |
| Eficiencia (S) | 2 |
| Tensión (V) | 380/660V |
| Hz | 50Hz |
| Factor de Potencia (cos) | 0,75 |
| Potencia-HP | 7,50 |
| Potencia-kW | 5,50 |
| EFF-N | 86,0 |
| Corriente-A | 13/7.5 |
| dBA | 69 |
| Capacitor-UF-monofásicos | No Aplica |
| Aislamiento-ISOL | No Aplica |

CERTIFICACIONES

| | |
|-----------|----------|
| IP | IP55 |
| Norma-IEC | IEC60034 |
| Norma-ISO | ISO9001 |



RM-T2-6F-00750-132-36



| A | A/2 | B | C | D | E | F | G | H | K | AB | AC | HD | L | DH |
|-----|-----|-----|----|----|----|----|----|-----|----|-----|-----|-----|-----|--------|
| 216 | 108 | 178 | 89 | 38 | 80 | 10 | 33 | 132 | 12 | 260 | 258 | 328 | 499 | M12X28 |



MODELO RM-T2-6F-01000-160-36

Trifásicos
Hierro

1000RPM
6P

HP
10,00

INFORMACIÓN GENERAL

| | |
|---------|-----------------------|
| Sku | RM-T2-6F-01000-160-36 |
| EAN13 | 7428325601222 |
| Tipo | Trifásico |
| Carcasa | 160M |
| Polos | 6 |

INFORMACIÓN FÍSICA

| | |
|----------------|-------------|
| Dimensiones-mm | 700*420*550 |
| Peso-kg | 118 |
| Material | Hierro |

LOGÍSTICA

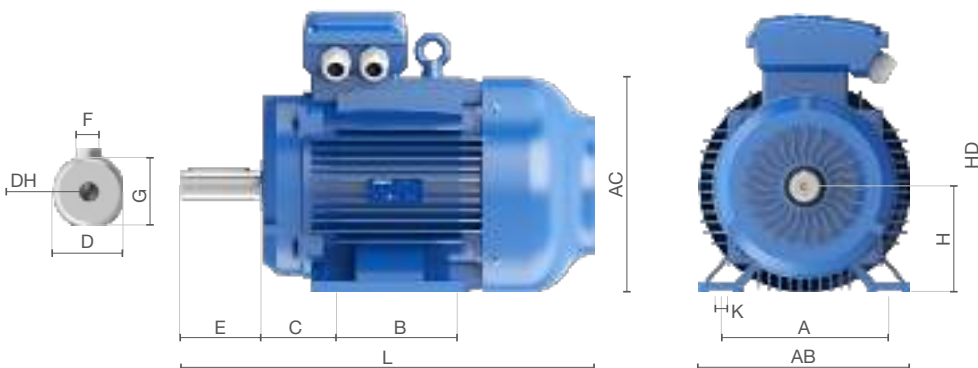
| | |
|----------------------|-------------|
| Material-of-unit-box | wooden case |
| size-of-unitbox | 700*420*550 |
| size-of-woden-case | 700*420*550 |

INFORMACIÓN ELÉCTRICA

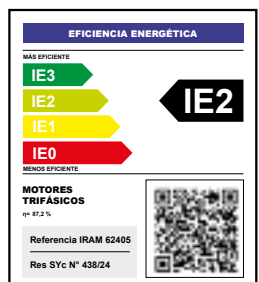
| | |
|--------------------------|-----------|
| RPM | 1000RPM |
| Eficiencia (S) | 2 |
| Tensión (V) | 380/660V |
| Hz | 50Hz |
| Factor de Potencia (cos) | 0,78 |
| Potencia-HP | 10,00 |
| Potencia-kW | 7,50 |
| EFF-N | 87,2 |
| Corriente-A | 16.8/9.6 |
| dBA | 73 |
| Capacitor-UF-monofásicos | No Aplica |
| Aislamiento-ISOL | No Aplica |

CERTIFICACIONES

| | |
|-----------|----------|
| IP | IP55 |
| Norma-IEC | IEC60034 |
| Norma-ISO | ISO9001 |



RM-T2-6F-01000-160-36



| A | A/2 | B | C | D | E | F | G | H | K | AB | AC | HD | L | DH |
|-----|-----|-----|-----|----|-----|----|----|-----|----|-----|-----|-----|-----|--------|
| 254 | 127 | 254 | 108 | 42 | 110 | 12 | 37 | 160 | 15 | 314 | 314 | 415 | 660 | M16X36 |



MODELO RM-T2-6F-01500-160-36

Trifásicos
Hierro

1000RPM
6P

HP
15,00

INFORMACIÓN GENERAL

| | |
|---------|-----------------------|
| Sku | RM-T2-6F-01500-160-36 |
| EAN13 | 7428325601239 |
| Tipo | Trifásico |
| Carcasa | 160L |
| Polos | 6 |

INFORMACIÓN FÍSICA

| | |
|----------------|-------------|
| Dimensiones-mm | 740*420*550 |
| Peso-kg | 148 |
| Material | Hierro |

LOGÍSTICA

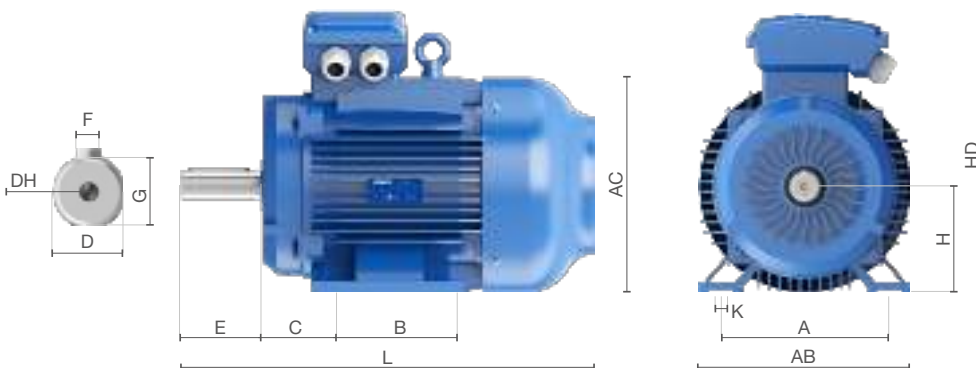
| | |
|----------------------|-------------|
| Material-of-unit-box | wooden case |
| size-of-unitbox | 740*420*550 |
| size-of-woden-case | 740*420*550 |

INFORMACIÓN ELÉCTRICA

| | |
|--------------------------|-----------|
| RPM | 1000RPM |
| Eficiencia (S) | 2 |
| Tensión (V) | 380/660V |
| Hz | 50Hz |
| Factor de Potencia (cos) | 0,79 |
| Potencia-HP | 15,00 |
| Potencia-kW | 11,00 |
| EFF-N | 88,7 |
| Corriente-A | 23.9/13.7 |
| dBA | 73 |
| Capacitor-UF-monofásicos | No Aplica |
| Aislamiento-ISOL | No Aplica |

CERTIFICACIONES

| | |
|-----------|----------|
| IP | IP55 |
| Norma-IEC | IEC60034 |
| Norma-ISO | ISO9001 |



RM-T2-6F-01500-160-36



| A | A/2 | B | C | D | E | F | G | H | K | AB | AC | HD | L | DH |
|-----|-----|-----|-----|----|-----|----|----|-----|----|-----|-----|-----|-----|--------|
| 254 | 127 | 254 | 108 | 42 | 110 | 12 | 37 | 160 | 15 | 314 | 314 | 415 | 660 | M16X36 |



MODELO RM-T2-6F-02000-180-36

Trifásicos
Hierro

1000RPM
6P

HP
20,00

INFORMACIÓN GENERAL

| | |
|---------|-----------------------|
| Skü | RM-T2-6F-02000-180-36 |
| EAN13 | 7428325601246 |
| Tipo | Trifásico |
| Carcasa | 180L |
| Polos | 6 |

INFORMACIÓN FÍSICA

| | |
|----------------|-------------|
| Dimensiones-mm | 810*450*590 |
| Peso-kg | 195 |
| Material | Hierro |

LOGÍSTICA

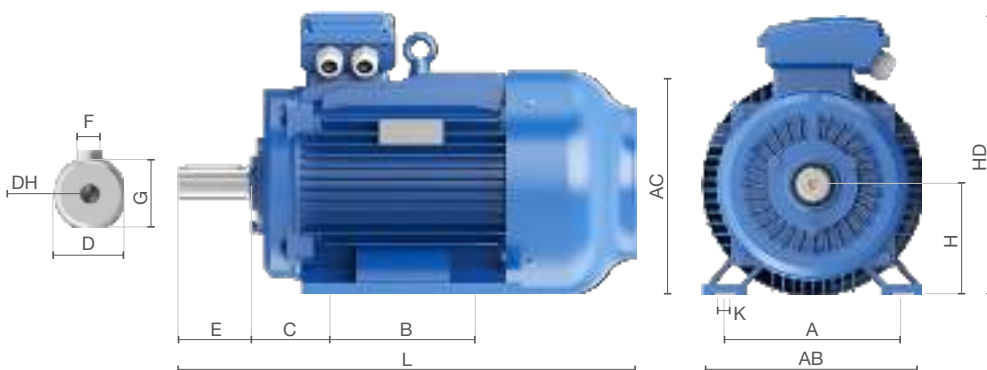
| | |
|----------------------|-------------|
| Material-of-unit-box | wooden case |
| size-of-unitbox | 810*450*590 |
| size-of-woden-case | 810*450*590 |

INFORMACIÓN ELÉCTRICA

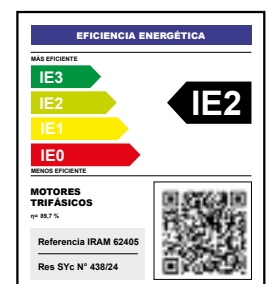
| | |
|--------------------------|-----------|
| RPM | 1000RPM |
| Eficiencia (S) | 2 |
| Tensión (V) | 380/660V |
| Hz | 50Hz |
| Factor de Potencia (cos) | 0,81 |
| Potencia-HP | 20,00 |
| Potencia-kW | 15,00 |
| EFF-N | 89,7 |
| Corriente-A | 31.4/18.1 |
| dBA | 73 |
| Capacitor-UF-monofásicos | No Aplica |
| Aislamiento-ISOL | No Aplica |

CERTIFICACIONES

| | |
|-----------|----------|
| IP | IP55 |
| Norma-IEC | IEC60034 |
| Norma-ISO | ISO9001 |



RM-T2-6F-02000-180-36



| A | A/2 | B | C | D | E | F | G | H | K | AB | AC | HD | L | DH |
|-----|-------|-----|-----|----|-----|----|------|-----|----|-----|-----|-----|-----|--------|
| 279 | 139.5 | 279 | 121 | 48 | 110 | 14 | 42.5 | 180 | 15 | 355 | 356 | 450 | 740 | M16X36 |



MODELO RM-T2-6F-02500-200-36

Trifásicos
Hierro

1000RPM
6P

HP
25,00

INFORMACIÓN GENERAL

| | |
|---------|-----------------------|
| Sku | RM-T2-6F-02500-200-36 |
| EAN13 | 7428325601253 |
| Tipo | Trifásico |
| Carcasa | 200L1 |
| Polos | 6 |

INFORMACIÓN FÍSICA

| | |
|----------------|-------------|
| Dimensiones-mm | 870*500*670 |
| Peso-kg | 234 |
| Material | Hierro |

LOGÍSTICA

| | |
|----------------------|-------------|
| Material-of-unit-box | wooden case |
| size-of-unitbox | 870*500*670 |
| size-of-woden-case | 870*500*670 |

INFORMACIÓN ELÉCTRICA

| | |
|--------------------------|-----------|
| RPM | 1000RPM |
| Eficiencia (S) | 2 |
| Tensión (V) | 380/660V |
| Hz | 50Hz |
| Factor de Potencia (cos) | 0,81 |
| Potencia-HP | 25,00 |
| Potencia-kW | 18,50 |
| EFF-N | 90,4 |
| Corriente-A | 38.4/22.1 |
| dBA | 73 |
| Capacitor-UF-monofásicos | No Aplica |
| Aislamiento-ISOL | No Aplica |

CERTIFICACIONES

| | |
|-----------|----------|
| IP | IP55 |
| Norma-IEC | IEC60034 |
| Norma-ISO | ISO9001 |



RM-T2-6F-02500-200-36



| A | A/2 | B | C | D | E | F | G | H | K | AB | AC | HD | L | DH |
|-----|-----|-----|-----|----|-----|----|----|-----|----|-----|-----|-----|-----|--------|
| 318 | 159 | 305 | 133 | 55 | 110 | 16 | 49 | 200 | 19 | 395 | 397 | 502 | 770 | M20X42 |



MODELO RM-T2-6F-03000-200-36

Trifásicos
Hierro

1000RPM
6P

HP
30,00

INFORMACIÓN GENERAL

| | |
|---------|-----------------------|
| Sku | RM-T2-6F-03000-200-36 |
| EAN13 | 7428325601260 |
| Tipo | Trifásico |
| Carcasa | 200L2 |
| Polos | 6 |

INFORMACIÓN FÍSICA

| | |
|----------------|-------------|
| Dimensiones-mm | 870*500*670 |
| Peso-kg | 253 |
| Material | Hierro |

LOGÍSTICA

| | |
|----------------------|-------------|
| Material-of-unit-box | wooden case |
| size-of-unitbox | 870*500*670 |
| size-of-woden-case | 870*500*670 |

INFORMACIÓN ELÉCTRICA

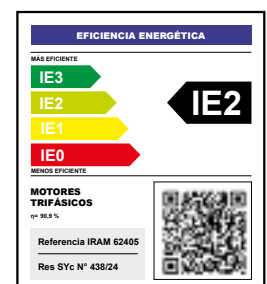
| | |
|--------------------------|-----------|
| RPM | 1000RPM |
| Eficiencia (S) | 2 |
| Tensión (V) | 380/660V |
| Hz | 50Hz |
| Factor de Potencia (cos) | 0,81 |
| Potencia-HP | 30,00 |
| Potencia-kW | 22,00 |
| EFF-N | 90,9 |
| Corriente-A | 45.4/26.1 |
| dBA | 73 |
| Capacitor-UF-monofásicos | No Aplica |
| Aislamiento-ISOL | No Aplica |

CERTIFICACIONES

| | |
|-----------|----------|
| IP | IP55 |
| Norma-IEC | IEC60034 |
| Norma-ISO | ISO9001 |



RM-T2-6F-03000-200-36



| A | A/2 | B | C | D | E | F | G | H | K | AB | AC | HD | L | DH |
|-----|-----|-----|-----|----|-----|----|----|-----|----|-----|-----|-----|-----|--------|
| 318 | 159 | 305 | 133 | 55 | 110 | 16 | 49 | 200 | 19 | 395 | 397 | 502 | 770 | M20X42 |



MODELO RM-T2-6F-04000-225-36

Trifásicos
Hierro

1000RPM
6P

HP
40,00

INFORMACIÓN GENERAL

| | |
|---------|-----------------------|
| Sku | RM-T2-6F-04000-225-36 |
| EAN13 | 7428325601277 |
| Tipo | Trifásico |
| Carcasa | 225M |
| Polos | 6 |

INFORMACIÓN FÍSICA

| | |
|----------------|-------------|
| Dimensiones-mm | 950*550*700 |
| Peso-kg | 288 |
| Material | Hierro |

LOGÍSTICA

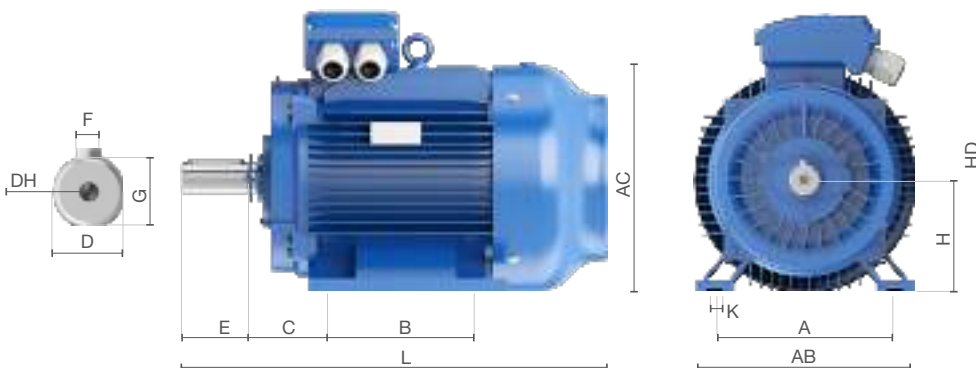
| | |
|----------------------|-------------|
| Material-of-unit-box | wooden case |
| size-of-unitbox | 950*550*700 |
| size-of-woden-case | 950*550*700 |

INFORMACIÓN ELÉCTRICA

| | |
|--------------------------|-----------|
| RPM | 1000RPM |
| Eficiencia (S) | 2 |
| Tensión (V) | 380/660V |
| Hz | 50Hz |
| Factor de Potencia (cos) | 0,82 |
| Potencia-HP | 40,00 |
| Potencia-kW | 30,00 |
| EFF-N | 91,7 |
| Corriente-A | 60.6/34.9 |
| dBA | 74 |
| Capacitor-UF-monofásicos | No Aplica |
| Aislamiento-ISOL | No Aplica |

CERTIFICACIONES

| | |
|-----------|----------|
| IP | IP55 |
| Norma-IEC | IEC60034 |
| Norma-ISO | ISO9001 |



RM-T2-6F-04000-225-36



| A | A/2 | B | C | D | E | F | G | H | K | AB | AC | HD | L | DH |
|-----|-----|-----|-----|----|-----|----|----|-----|----|-----|-----|-----|-----|--------|
| 356 | 178 | 311 | 149 | 60 | 140 | 18 | 53 | 225 | 19 | 435 | 445 | 548 | 845 | M20X42 |



MODELO RM-T2-6F-05000-250-36

Trifásicos
Hierro

1000RPM
6P

HP
50,00

INFORMACIÓN GENERAL

| | |
|---------|-----------------------|
| Sku | RM-T2-6F-05000-250-36 |
| EAN13 | 7428325601284 |
| Tipo | Trifásico |
| Carcasa | 250M |
| Polos | 6 |

INFORMACIÓN FÍSICA

| | |
|----------------|--------------|
| Dimensiones-mm | 1020*690*790 |
| Peso-kg | 405 |
| Material | Hierro |

LOGÍSTICA

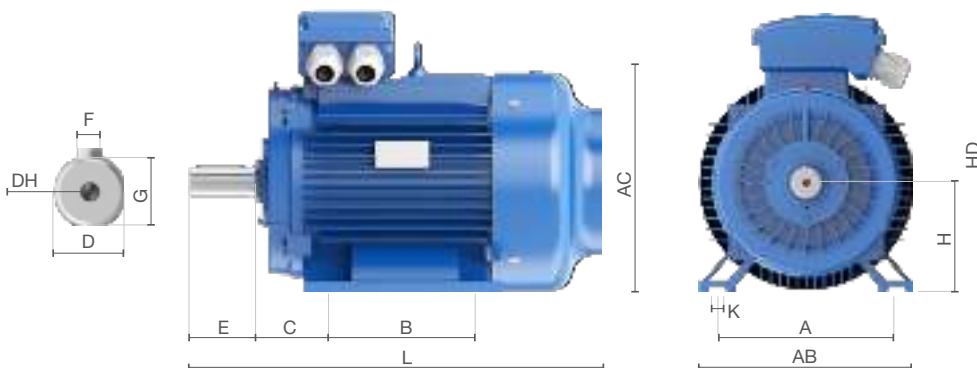
| | |
|----------------------|--------------|
| Material-of-unit-box | wooden case |
| size-of-unitbox | 1020*690*790 |
| size-of-woden-case | 1020*690*790 |

INFORMACIÓN ELÉCTRICA

| | |
|--------------------------|-----------|
| RPM | 1000RPM |
| Eficiencia (S) | 2 |
| Tensión (V) | 380/660V |
| Hz | 50Hz |
| Factor de Potencia (cos) | 0,83 |
| Potencia-HP | 50,00 |
| Potencia-kW | 37,00 |
| EFF-N | 92,2 |
| Corriente-A | 73.5/42.3 |
| dBA | 76 |
| Capacitor-UF-monofásicos | No Aplica |
| Aislamiento-ISOL | No Aplica |

CERTIFICACIONES

| | |
|-----------|----------|
| IP | IP55 |
| Norma-IEC | IEC60034 |
| Norma-ISO | ISO9001 |



| A | A/2 | B | C | D | E | F | G | H | K | AB | AC | HD | L | DH |
|-----|-----|-----|-----|----|-----|----|----|-----|----|-----|-----|-----|-----|--------|
| 406 | 203 | 349 | 168 | 65 | 140 | 18 | 58 | 250 | 24 | 490 | 485 | 622 | 920 | M20X42 |



MODELO RM-T2-6F-06000-280-36

Trifásicos
Hierro

1000RPM
6P

HP
60,00

INFORMACIÓN GENERAL

| | |
|---------|-----------------------|
| Sku | RM-T2-6F-06000-280-36 |
| EAN13 | 7428325601291 |
| Tipo | Trifásico |
| Carcasa | 280S |
| Polos | 6 |

INFORMACIÓN FÍSICA

| | |
|----------------|--------------|
| Dimensiones-mm | 1100*650*850 |
| Peso-kg | - |
| Material | Hierro |

LOGÍSTICA

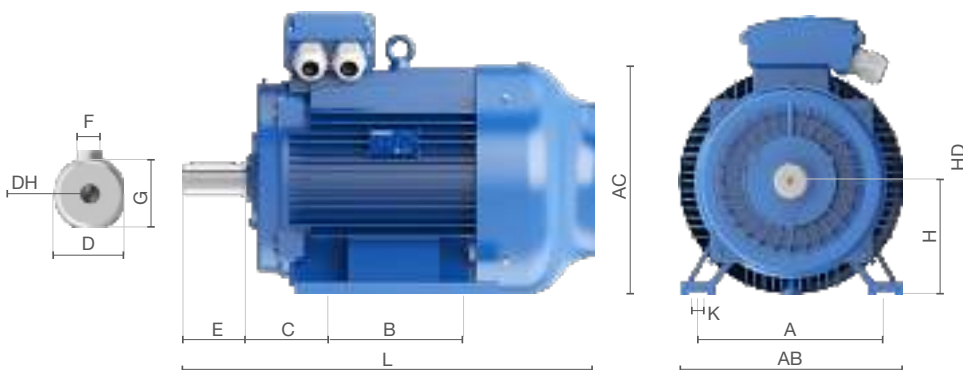
| | |
|----------------------|--------------|
| Material-of-unit-box | wooden case |
| size-of-unitbox | 1100*650*850 |
| size-of-woden-case | 1100*650*850 |

INFORMACIÓN ELÉCTRICA

| | |
|--------------------------|-----------|
| RPM | 1000RPM |
| Eficiencia (S) | 2 |
| Tensión (V) | 380/660V |
| Hz | 50Hz |
| Factor de Potencia (cos) | 0,85 |
| Potencia-HP | 60,00 |
| Potencia-kW | 45,00 |
| EFF-N | 92,7 |
| Corriente-A | 86.8/50 |
| dBA | 78 |
| Capacitor-UF-monofásicos | No Aplica |
| Aislamiento-ISOL | No Aplica |

CERTIFICACIONES

| | |
|-----------|----------|
| IP | IP55 |
| Norma-IEC | IEC60034 |
| Norma-ISO | ISO9001 |



| A | A/2 | B | C | D | E | F | G | H | K | AB | AC | HD | L | DH |
|-----|-------|-----|-----|----|-----|----|------|-----|----|-----|-----|-----|-----|--------|
| 457 | 228.5 | 368 | 190 | 75 | 140 | 20 | 67.5 | 280 | 24 | 542 | 546 | 670 | 991 | M20X42 |



MODELO RM-T2-6F-07500-280-36

Trifásicos
Hierro

1000RPM
6P

HP
75,00

INFORMACIÓN GENERAL

| | |
|---------|-----------------------|
| Sku | RM-T2-6F-07500-280-36 |
| EAN13 | 7428325601307 |
| Tipo | Trifásico |
| Carcasa | 280M |
| Polos | 6 |

INFORMACIÓN FÍSICA

| | |
|----------------|--------------|
| Dimensiones-mm | 1100*650*850 |
| Peso-kg | - |
| Material | Hierro |

LOGÍSTICA

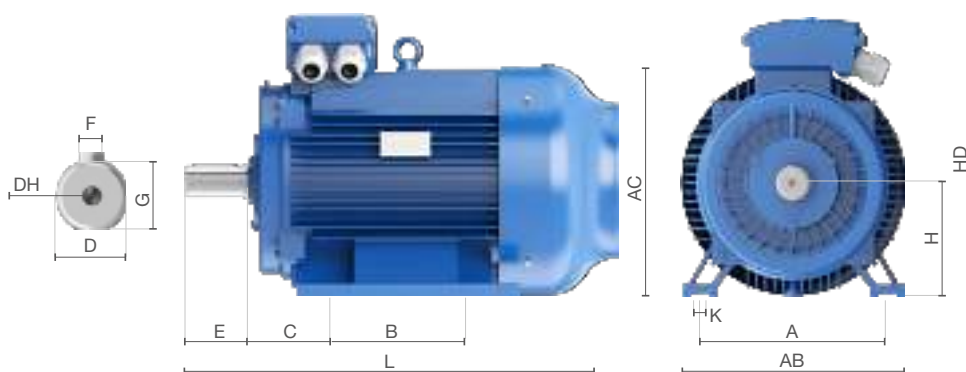
| | |
|----------------------|--------------|
| Material-of-unit-box | wooden case |
| size-of-unitbox | 1100*650*850 |
| size-of-woden-case | 1100*650*850 |

INFORMACIÓN ELÉCTRICA

| | |
|--------------------------|-----------|
| RPM | 1000RPM |
| Eficiencia (S) | 2 |
| Tensión (V) | 380/660V |
| Hz | 50Hz |
| Factor de Potencia (cos) | 0,85 |
| Potencia-HP | 75,00 |
| Potencia-kW | 55,00 |
| EFF-N | 93,1 |
| Corriente-A | 106/60.8 |
| dBA | 78 |
| Capacitor-UF-monofásicos | No Aplica |
| Aislamiento-ISOL | No Aplica |

CERTIFICACIONES

| | |
|-----------|----------|
| IP | IP55 |
| Norma-IEC | IEC60034 |
| Norma-ISO | ISO9001 |



| A | A/2 | B | C | D | E | F | G | H | K | AB | AC | HD | L | DH |
|-----|-------|-----|-----|----|-----|----|------|-----|----|-----|-----|-----|------|--------|
| 457 | 228.5 | 419 | 190 | 75 | 140 | 20 | 67.5 | 280 | 24 | 542 | 546 | 670 | 1046 | M20X42 |



MODELO RM-T2-6F-10000-315-36

Trifásicos
Hierro

1000RPM
6P

HP
100,00

INFORMACIÓN GENERAL

| | |
|---------|-----------------------|
| Sku | RM-T2-6F-10000-315-36 |
| EAN13 | 7428325601314 |
| Tipo | Trifásico |
| Carcasa | 315S |
| Polos | 6 |

INFORMACIÓN FÍSICA

| | |
|----------------|---------------|
| Dimensiones-mm | 1350*750*1040 |
| Peso-kg | - |
| Material | Hierro |

LOGÍSTICA

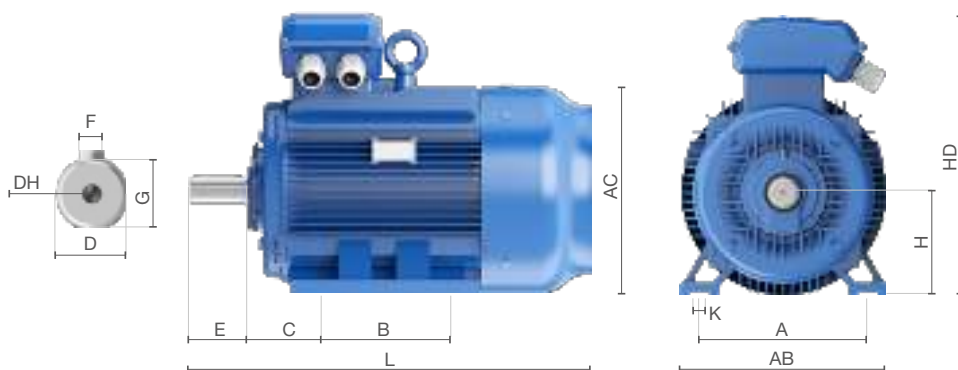
| | |
|----------------------|---------------|
| Material-of-unit-box | wooden case |
| size-of-unitbox | 1350*750*1040 |
| size-of-woden-case | 1350*750*1040 |

INFORMACIÓN ELÉCTRICA

| | |
|--------------------------|-----------|
| RPM | 1000RPM |
| Eficiencia (S) | 2 |
| Tensión (V) | 380/660V |
| Hz | 50Hz |
| Factor de Potencia (cos) | 0,85 |
| Potencia-HP | 100,00 |
| Potencia-kW | 75,00 |
| EFF-N | 93,7 |
| Corriente-A | 143/82.4 |
| dBA | 83 |
| Capacitor-UF-monofásicos | No Aplica |
| Aislamiento-ISOL | No Aplica |

CERTIFICACIONES

| | |
|-----------|----------|
| IP | IP55 |
| Norma-IEC | IEC60034 |
| Norma-ISO | ISO9001 |



| A | A/2 | B | C | D | E | F | G | H | K | AB | AC | HD | L | DH |
|-----|-----|-----|-----|----|-----|----|----|-----|----|-----|-----|-----|------|--------|
| 508 | 254 | 406 | 216 | 80 | 170 | 22 | 71 | 315 | 28 | 628 | 620 | 855 | 1220 | M20X42 |



MODELO RM-T2-6F-12500-315-36

Trifásicos
Hierro

1000RPM
6P

HP
125,00

INFORMACIÓN GENERAL

| | |
|---------|-----------------------|
| Skü | RM-T2-6F-12500-315-36 |
| EAN13 | 7428325601321 |
| Tipo | Trifásico |
| Carcasa | 315M |
| Polos | 6 |

INFORMACIÓN FÍSICA

| | |
|----------------|---------------|
| Dimensiones-mm | 1450*750*1040 |
| Peso-kg | - |
| Material | Hierro |

LOGÍSTICA

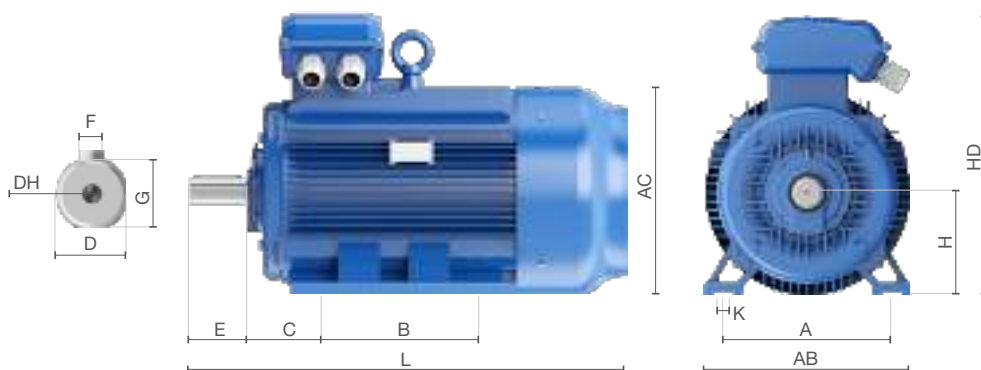
| | |
|----------------------|---------------|
| Material-of-unit-box | wooden case |
| size-of-unitbox | 1450*750*1040 |
| size-of-woden-case | 1450*750*1040 |

INFORMACIÓN ELÉCTRICA

| | |
|--------------------------|-----------|
| RPM | 1000RPM |
| Eficiencia (S) | 2 |
| Tensión (V) | 380/660V |
| Hz | 50Hz |
| Factor de Potencia (cos) | 0,85 |
| Potencia-HP | 125,00 |
| Potencia-kW | 90,00 |
| EFF-N | 94,0 |
| Corriente-A | 171/98.5 |
| dBA | 83 |
| Capacitor-UF-monofásicos | No Aplica |
| Aislamiento-ISOL | No Aplica |

CERTIFICACIONES

| | |
|-----------|----------|
| IP | IP55 |
| Norma-IEC | IEC60034 |
| Norma-ISO | ISO9001 |



| A | A/2 | B | C | D | E | F | G | H | K | AB | AC | HD | L | DH |
|-----|-----|-----|-----|----|-----|----|----|-----|----|-----|-----|-----|------|--------|
| 508 | 254 | 457 | 216 | 80 | 170 | 22 | 71 | 315 | 28 | 628 | 620 | 855 | 1325 | M20X42 |



MODELO RM-T2-6F-15000-315-36

Trifásicos
Hierro

1000RPM
6P

HP
150,00

INFORMACIÓN GENERAL

| | |
|---------|-----------------------|
| Sku | RM-T2-6F-15000-315-36 |
| EAN13 | 7428325601338 |
| Tipo | Trifásico |
| Carcasa | 315L1 |
| Polos | 6 |

INFORMACIÓN FÍSICA

| | |
|----------------|---------------|
| Dimensiones-mm | 1450*750*1040 |
| Peso-kg | - |
| Material | Hierro |

LOGÍSTICA

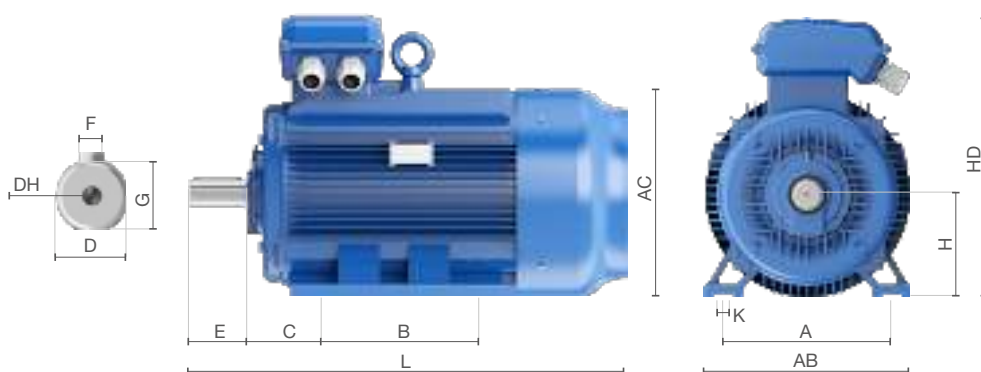
| | |
|----------------------|---------------|
| Material-of-unit-box | wooden case |
| size-of-unitbox | 1450*750*1040 |
| size-of-woden-case | 1450*750*1040 |

INFORMACIÓN ELÉCTRICA

| | |
|--------------------------|-----------|
| RPM | 1000RPM |
| Eficiencia (S) | 2 |
| Tensión (V) | 380/660V |
| Hz | 50Hz |
| Factor de Potencia (cos) | 0,85 |
| Potencia-HP | 150,00 |
| Potencia-kW | 110,00 |
| EFF-N | 94,3 |
| Corriente-A | 209/120 |
| dBA | 83 |
| Capacitor-UF-monofásicos | No Aplica |
| Aislamiento-ISOL | No Aplica |

CERTIFICACIONES

| | |
|-----------|----------|
| IP | IP55 |
| Norma-IEC | IEC60034 |
| Norma-ISO | ISO9001 |



| A | A/2 | B | C | D | E | F | G | H | K | AB | AC | HD | L | DH |
|-----|-----|-----|-----|----|-----|----|----|-----|----|-----|-----|-----|------|--------|
| 508 | 254 | 508 | 216 | 80 | 170 | 22 | 71 | 315 | 28 | 628 | 620 | 855 | 1325 | M20X42 |



MODELO RM-T2-6F-17500-315-36

Trifásicos
Hierro

1000RPM
6P

HP
175,00

INFORMACIÓN GENERAL

| | |
|---------|-----------------------|
| Sku | RM-T2-6F-17500-315-36 |
| EAN13 | 7428325601345 |
| Tipo | Trifásico |
| Carcasa | 315L2 |
| Polos | 6 |

INFORMACIÓN FÍSICA

| | |
|----------------|---------------|
| Dimensiones-mm | 1450*750*1040 |
| Peso-kg | - |
| Material | Hierro |

LOGÍSTICA

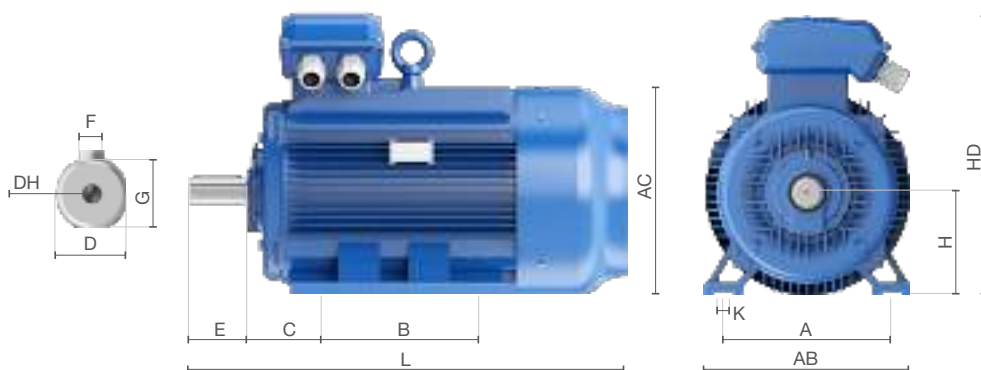
| | |
|----------------------|---------------|
| Material-of-unit-box | wooden case |
| size-of-unitbox | 1450*750*1040 |
| size-of-woden-case | 1450*750*1040 |

INFORMACIÓN ELÉCTRICA

| | |
|--------------------------|-----------|
| RPM | 1000RPM |
| Eficiencia (S) | 2 |
| Tensión (V) | 380/660V |
| Hz | 50Hz |
| Factor de Potencia (cos) | 0,86 |
| Potencia-HP | 175,00 |
| Potencia-kW | 132,00 |
| EFF-N | 94,6 |
| Corriente-A | 247/142 |
| dBA | 83 |
| Capacitor-UF-monofásicos | No Aplica |
| Aislamiento-ISOL | No Aplica |

CERTIFICACIONES

| | |
|-----------|----------|
| IP | IP55 |
| Norma-IEC | IEC60034 |
| Norma-ISO | ISO9001 |



| A | A/2 | B | C | D | E | F | G | H | K | AB | AC | HD | L | DH |
|-----|-----|-----|-----|----|-----|----|----|-----|----|-----|-----|-----|------|--------|
| 508 | 254 | 508 | 216 | 80 | 170 | 22 | 71 | 315 | 28 | 628 | 620 | 855 | 1325 | M20X42 |



MODELO RM-T2-6F-22000-355-36

**Trifásicos
Hierro**

**1000RPM
6P**

**HP
220,00**

INFORMACIÓN GENERAL

| | |
|---------|-----------------------|
| Skü | RM-T2-6F-22000-355-36 |
| EAN13 | 7428325601352 |
| Tipo | Trifásico |
| Carcasa | 355M1 |
| Polos | 6 |

INFORMACIÓN FÍSICA

| | |
|----------------|---------------|
| Dimensiones-mm | 1660*840*1160 |
| Peso-kg | - |
| Material | Hierro |

LOGÍSTICA

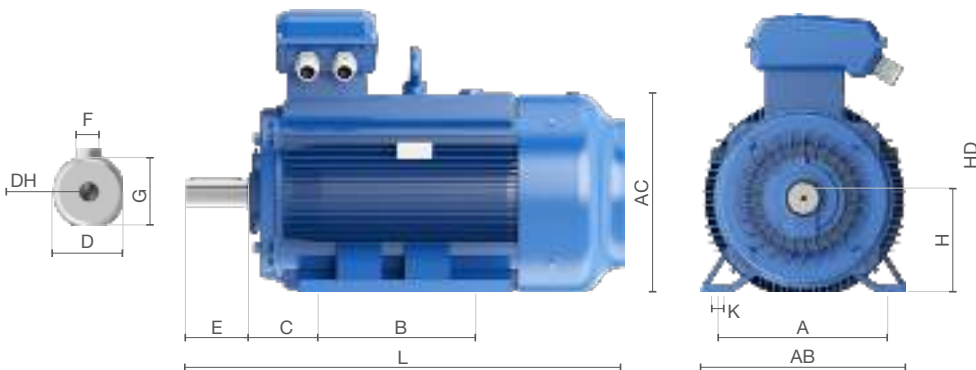
| | |
|----------------------|---------------|
| Material-of-unit-box | wooden case |
| size-of-unitbox | 1660*840*1160 |
| size-of-woden-case | 1660*840*1160 |

INFORMACIÓN ELÉCTRICA

| | |
|--------------------------|-----------|
| RPM | 1000RPM |
| Eficiencia (S) | 2 |
| Tensión (V) | 380/660V |
| Hz | 50Hz |
| Factor de Potencia (cos) | 0,86 |
| Potencia-HP | 220,00 |
| Potencia-kW | 160,00 |
| EFF-N | 94,8 |
| Corriente-A | 298/172 |
| dBA | 85 |
| Capacitor-UF-monofásicos | No Aplica |
| Aislamiento-ISOL | No Aplica |

CERTIFICACIONES

| | |
|-----------|----------|
| IP | IP55 |
| Norma-IEC | IEC60034 |
| Norma-ISO | ISO9001 |



| A | A/2 | B | C | D | E | F | G | H | K | AB | AC | HD | L | DH |
|-----|-----|-----|-----|----|-----|----|----|-----|----|-----|-----|------|------|--------|
| 610 | 305 | 560 | 254 | 95 | 170 | 25 | 86 | 355 | 28 | 726 | 700 | 1002 | 1514 | M20X42 |



IE2 Cuerpo de Aluminio 2P

| SKU | Brida B5 | Bloque de Conexión | Caja Bornera | Cubierta Ventilador | Paletas Ventilador |
|-----------------------|-----------------------|-----------------------|-----------------------|-----------------------|-----------------------|
| RM-T2-2A-00033-632-23 | RA-B05-T2-0TA-0000063 | RA-BCO-T2-0TA-0000063 | RA-CCO-T2-0TA-0000063 | RA-CUB-T2-0TA-0000063 | RA-VEN-T2-02A-0000063 |
| RM-T2-2A-00050-711-23 | RA-B05-T2-0TA-0000071 | RA-BCO-T2-0TA-071/080 | RA-CCO-T2-0TA-071/080 | RA-CUB-T2-0TA-0000071 | RA-VEN-T2-02A-0000071 |
| RM-T2-2A-00075-712-23 | RA-B05-T2-0TA-0000071 | RA-BCO-T2-0TA-071/080 | RA-CCO-T2-0TA-071/080 | RA-CUB-T2-0TA-0000071 | RA-VEN-T2-02A-0000071 |

IE2 Cuerpo de Aluminio 4P

| SKU | Brida B5 | Bloque de Conexión | Caja Bornera | Cubierta Ventilador | Paletas Ventilador |
|-----------------------|-----------------------|-----------------------|-----------------------|-----------------------|-----------------------|
| RM-T2-4A-00025-632-23 | RA-B05-T2-0TA-0000063 | RA-BCO-T2-0TA-0000063 | RA-CCO-T2-0TA-0000063 | RA-CUB-T2-0TA-0000063 | RA-VEN-T2-46A-0000063 |
| RM-T2-4A-00033-711-23 | RA-B05-T2-0TA-0000071 | RA-BCO-T2-0TA-071/080 | RA-CCO-T2-0TA-071/080 | RA-CUB-T2-0TA-0000071 | RA-VEN-T2-46A-0000071 |
| RM-T2-4A-00050-712-23 | RA-B05-T2-0TA-0000071 | RA-BCO-T2-0TA-071/080 | RA-CCO-T2-0TA-071/080 | RA-CUB-T2-0TA-0000071 | RA-VEN-T2-46A-0000071 |
| RM-T2-4A-00075-801-23 | RA-B05-T2-0TA-0000080 | RA-BCO-T2-0TA-071/080 | RA-CCO-T2-0TA-071/080 | RA-CUB-T2-0TA-0000080 | RA-VEN-T2-46A-0000080 |
| RM-T2-4A-00100-802-23 | RA-B05-T2-0TA-0000080 | RA-BCO-T2-0TA-071/080 | RA-CCO-T2-0TA-071/080 | RA-CUB-T2-0TA-0000080 | RA-VEN-T2-46A-0000080 |

IE2 Cuerpo de Aluminio 6P

| SKU | Brida B5 | Bloque de Conexión | Caja Bornera | Cubierta Ventilador | Paletas Ventilador |
|-----------------------|-----------------------|-----------------------|-----------------------|-----------------------|-----------------------|
| RM-T2-6A-00025-711-23 | RA-B05-T2-0TA-0000071 | RA-BCO-T2-0TA-071/080 | RA-CCO-T2-0TA-071/080 | RA-CUB-T2-0TA-0000071 | RA-VEN-T2-46A-0000071 |
| RM-T2-6A-00033-712-23 | RA-B05-T2-0TA-0000071 | RA-BCO-T2-0TA-071/080 | RA-CCO-T2-0TA-071/080 | RA-CUB-T2-0TA-0000071 | RA-VEN-T2-46A-0000071 |
| RM-T2-6A-00050-801-23 | RA-B05-T2-0TA-0000080 | RA-BCO-T2-0TA-071/080 | RA-CCO-T2-0TA-071/080 | RA-CUB-T2-0TA-0000080 | RA-VEN-T2-46A-0000080 |
| RM-T2-6A-00075-802-23 | RA-B05-T2-0TA-0000080 | RA-BCO-T2-0TA-071/080 | RA-CCO-T2-0TA-071/080 | RA-CUB-T2-0TA-0000080 | RA-VEN-T2-46A-0000080 |
| RM-T2-6A-00100-90S-23 | RA-B05-T2-0TA-0000090 | RA-BCO-T2-0TA-090/100 | RA-CCO-T2-0TA-090/100 | RA-CUB-T2-0TA-0000090 | RA-VEN-T2-46A-0000090 |

